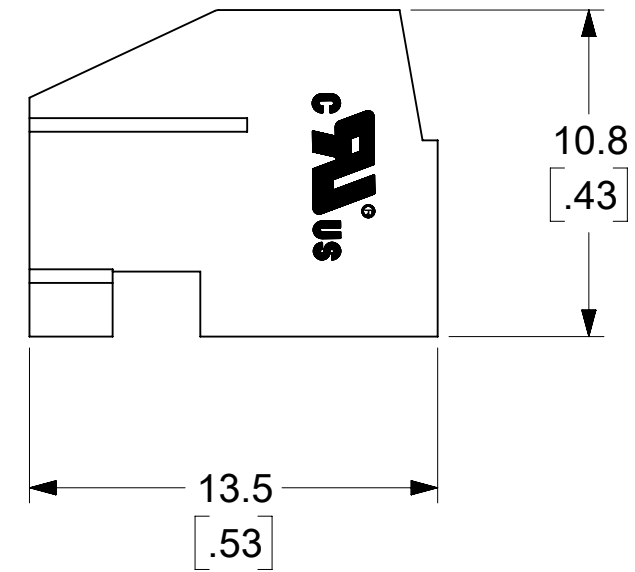
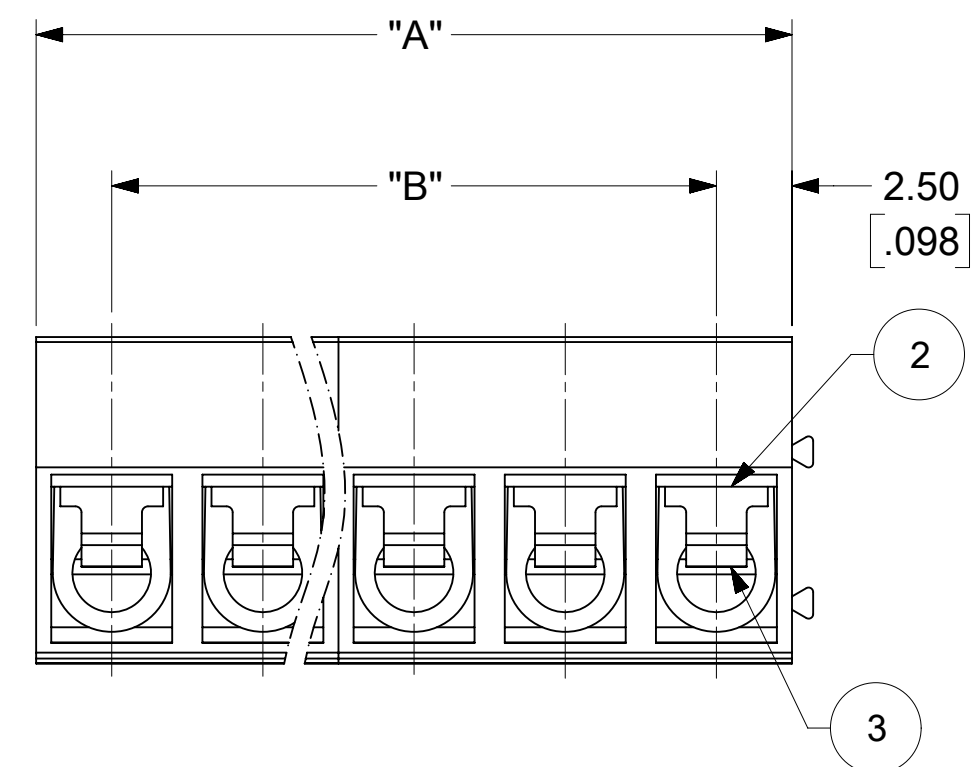
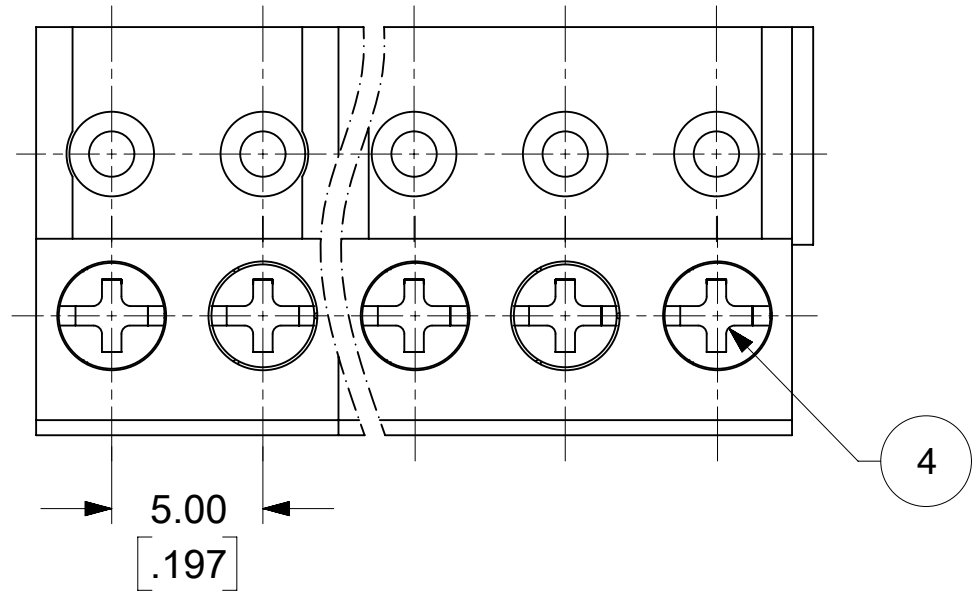


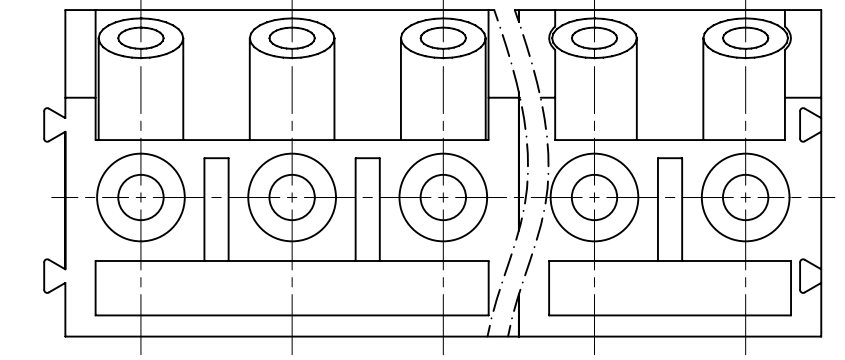
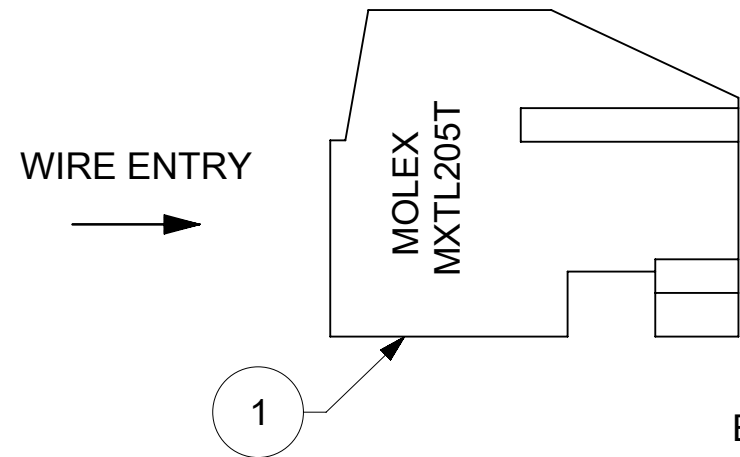
NOTES:

1. RATING: 300V 10A(UL)
2. INSULATION WITHSTAND VOLTAGE: AC2000V/MIN
3. INSULATION RESISTANCE: 500MΩ or MORE AT DC500V
4. TEMPERATURE RANGE: -40°C TO +105°C
5. SCREW TORQUE: 0.50N.m (4.4 in lbs.) RECOMMENDED ,
0.99 N.m (8.8 in lbs.) MAX PER UL
6. WIRE RANGE: 22-14 AWG
7. XX EQUALS NUMBER OF POLES



| PART NUMBER DATA | | | | | | | |
|------------------|-------------|--------------------|--------|------|--------|-------|---------|
| CIRCUITS | PART NUMBER | ENGINEERING NUMBER | COLOR | "A" | | "B" | |
| | | | | mm | IN | mm | IN |
| 2 | 397611002 | MXTL205T-02P | GREEN | 10.0 | [.39] | 5.00 | [.197] |
| 2 | 397611202 | MXTL205T-02P-2 | RED | 10.0 | [.39] | 5.00 | [.197] |
| 2 | 397611302 | MXTL205T-02P-3 | YELLOW | 10.0 | [.39] | 5.00 | [.197] |
| 3 | 397611003 | MXTL205T-03P | GREEN | 15.0 | [.59] | 10.00 | [.394] |
| 4 | 397611004 | MXTL205T-04P | GREEN | 20.0 | [.79] | 15.00 | [.591] |
| 4 | 397611304 | MXTL205T-04P-3 | YELLOW | 20.0 | [.79] | 15.00 | [.591] |
| 5 | 397611005 | MXTL205T-05P | GREEN | 25.0 | [.98] | 20.00 | [.787] |
| 5 | 397611105 | MXTL205T-05P-1 | BLUE | 25.0 | [.98] | 20.00 | [.787] |
| 6 | 397611006 | MXTL205T-06P | GREEN | 30.0 | [1.18] | 25.00 | [.984] |
| 6 | 397611106 | MXTL205T-06P-1 | BLUE | 30.0 | [1.18] | 25.00 | [.984] |
| 7 | 397611007 | MXTL205T-07P | GREEN | 35.0 | [1.38] | 30.00 | [1.181] |
| 8 | 397611008 | MXTL205T-08P | GREEN | 40.0 | [1.57] | 35.00 | [1.378] |
| 10 | 397611010 | MXTL205T-10P | GREEN | 50.0 | [1.97] | 45.00 | [1.772] |
| 12 | 397611012 | MXTL205T-12P | GREEN | 60.0 | [2.36] | 55.00 | [2.165] |

REF. LAST 2 DIGITS OF PART NO. EQUAL CIRCUIT LENGTH



ENGINEERING NUMBER LEGEND
MXTL205T - XXP - X
 STYLE → POLES → COLOR OPTION
 BLANK=GREEN
 -1=BLUE
 -2=RED
 -3=YELLOW

REF. TOLERANCES ARE SHOWN IN METRIC (mm)

| POLES | 2 | 3 | 4 | 5 | 6 | 7 | 8 | 9 | 10 | 11 | 12 |
|----------|------|------|------|------|------|------|------|------|------|------|------|
| DIM. "A" | 10 | 15 | 20 | 25 | 30 | 35 | 40 | 45 | 50 | 55 | 60 |
| TOL(±) | 0.20 | 0.25 | 0.25 | 0.30 | 0.35 | 0.35 | 0.40 | 0.45 | 0.55 | 0.55 | 0.60 |
| DIM. "B" | 5 | 10 | 15 | 20 | 25 | 30 | 35 | 40 | 45 | 50 | 55 |
| TOL(±) | 0.15 | 0.20 | 0.25 | 0.25 | 0.30 | 0.35 | 0.35 | 0.40 | 0.45 | 0.55 | 0.55 |

| ITEM | QTY. | DESCRIPTION | MATERIAL | FINISH |
|------|------|------------------------|-------------------|---------------|
| 4 | XX | M2.5 SCREW | STEEL | ZINC PLATED |
| 3 | XX | SPRING COIL | BRONZE | TIN PLATED |
| 2 | XX | BLOCK | BRASS | NICKEL PLATED |
| 1 | 1 | TERMINAL STRIP HOUSING | NYLON (UL 94 V-0) | SEE TABLE |

| Total Pitch Tolerances in mm | | | | | | | | | | Nominal dimension range in mm | | | | | | | | | | ⊥ | ≡ | — | // | | | | | | | | | | |
|------------------------------|-------|-------|-------|-------|-------|-------|-------|-------|-------|-------------------------------|-------|-------|-------|-------|-------|-------|-------|------|------|------|------|------|------|------|----------|------|------|----------|------|------|-----|-----|----------|
| over | over | over | over | over | over | over | over | over | over | over | over | over | over | over | over | over | over | over | over | over | over | over | over | over | over | over | over | over | over | over | 0 | 100 | over 150 |
| 0 | 30 | 53 | 70 | 90 | 115 | 150 | 200 | 250 | 300 | 0 | 30 | 53 | 70 | 90 | 115 | 150 | 200 | 250 | 300 | 0 | 10 | all | 0 | 100 | over 150 | 0 | 100 | over 150 | | | | | |
| to | to | to | to | to | to | to | to | to | to | to | to | to | to | to | to | to | to | to | to | to | to | to | to | to | to | to | to | to | to | to | to | to | |
| 30 | 53 | 70 | 90 | 115 | 150 | 200 | 250 | 320 | 30 | 53 | 70 | 90 | 115 | 150 | 200 | 250 | 320 | 10 | 10 | 100 | 150 | 150 | 150 | 150 | 150 | 150 | 150 | 150 | 150 | 100 | 150 | 150 | |
| ±0.18 | ±0.20 | ±0.25 | ±0.30 | ±0.35 | ±0.44 | ±0.55 | ±0.70 | ±0.75 | ±0.20 | ±0.25 | ±0.30 | ±0.35 | ±0.44 | ±0.55 | ±0.70 | ±0.80 | ±0.90 | 0.2 | 0.3 | 0.3 | 0.2 | 0.3 | 0.2 | 0.3 | 0.5 | 0.5 | 0.5 | 0.5 | 0.5 | 0.2 | 0.3 | 0.5 | |

THIS DRAWING CONTAINS INFORMATION THAT IS PROPRIETARY TO MOLEX ELECTRONIC TECHNOLOGIES, LLC AND SHOULD NOT BE USED WITHOUT WRITTEN PERMISSION

FUNCTIONAL SYMBOLS: FA=0, FC=0, FP=0

DIMENSION UNITS: MM/INCH, SCALE: 4:1

GENERAL TOLERANCES (UNLESS SPECIFIED):

| PLACES | MM | INCH |
|----------|-------|--------|
| 4 PLACES | ± .10 | ± .004 |
| 3 PLACES | ± .15 | ± .006 |
| 2 PLACES | ± .20 | ± .008 |
| 1 PLACE | ± .30 | ± .012 |
| 0 PLACES | ± .40 | ± .015 |

ANGULAR TOL: ± .5

DRAFT WHERE APPLICABLE MUST REMAIN WITHIN DIMENSIONS

THIRD ANGLE PROJECTION

DRAWING: C-SIZE, SERIES: 39761

CURRENT REV DESC: ADDED PN 397611010

EC NO: 750471
 DRWN: ABENJAMINLW
 CHK'D: DACHAMMER
 APPR: JFMURPHY

INITIAL REVISION:
 DRWN: RSTONE
 APPR: BRUPERT

DATE: 2023/05/22

DATE: 2016/05/10

DATE: 2016/07/15

DOCUMENT NUMBER: SD-39761-002

DOC TYPE: PSD, DOC PART: 001, REVISION: A3

PRODUCT CUSTOMER DRAWING

TERMINAL STRIP
 5.00MM (.197) PITCH
 22 TO 14 AWG

MATERIAL NUMBER: SEE CHART, CUSTOMER: GENERAL MARKET, SHEET NUMBER: 1 OF 1