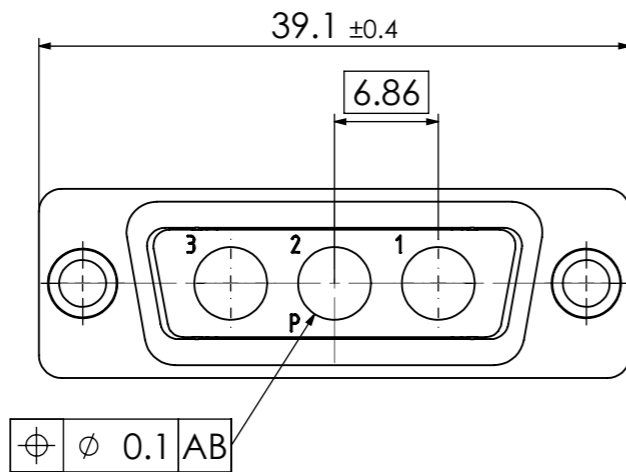
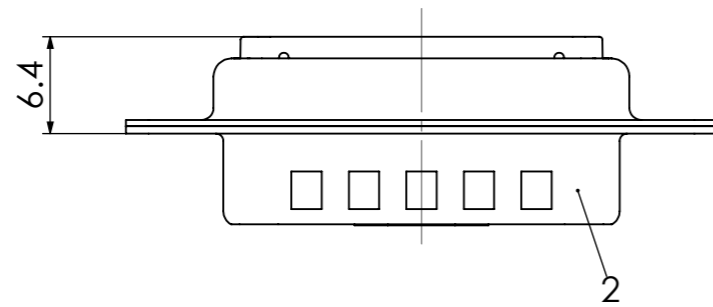
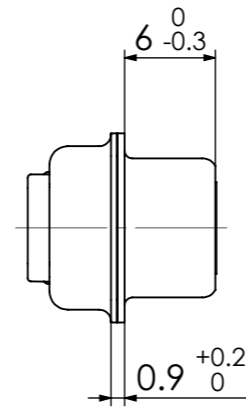
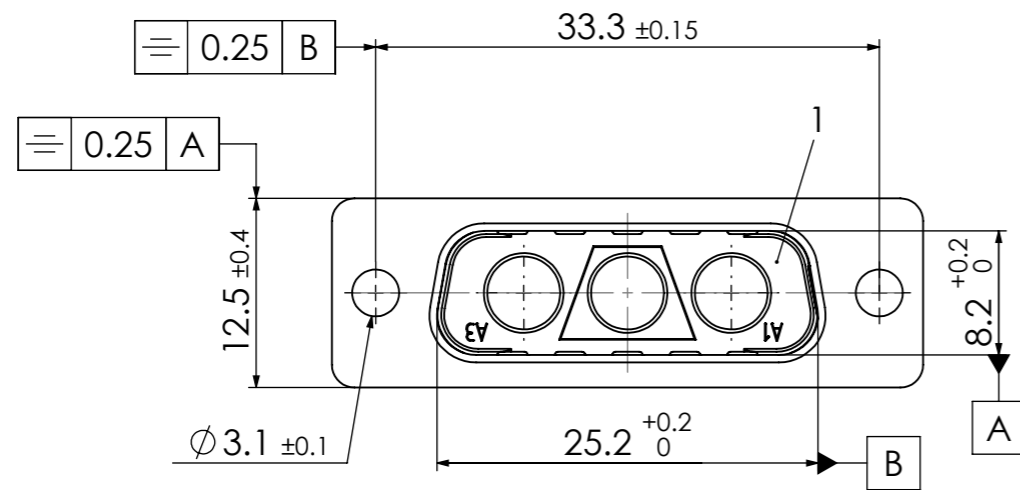


COMMENT:
 ALL RIGHTS ARE RESERVED BY US FOR THIS DRAWING. WITHOUT OUR PRIOR CONSENT,
 IT MAY NEITHER BE DUBLICATED NOR MADE AVAILABLE TO A THIRD PARTY.
 AND IT ALSO MAY NOT BE IMPROPERLY USED BY THE RECEIVER, OR A THIRD PARTY.



RoHS compliant

②	2	1	Shell	Steel	tin plated
	1	1	Insulator	PBT (-55°C - +130°C)	black
	No.	St.	Part	Type Description/Material	Surface plating/Colour/Class

				Measurement without tolerance occ. to ISO 2768-m	SCALE 2:1	TITLE
				NAME / DATE		D-Sub Mixed-Layout Connector
			DRAWN	Denzinger 02-06-2004		
			CHECKED	sschref 12-04-2006		
	2	12-04-2006	21827			DWG.NO.
	1					F3W3PC-K120
REV.	DATE	CH.-NO.	ORIGINAL: DIN A3-DRAWING AS A FILE	REPLACEMENT FOR:	PAGES 1	