

CODE 41 - BRAID TAIL BACKSHELL

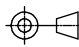


204M116-19B08

SERIES _____
 DASH NUMBER (TABLE 1) _____
 MATERIAL _____
 REFER TO CH00-0250-004
 FINISH _____
 REFER TO CH00-0250-004
 ENTRY SIZE (TABLE 2) _____
 MODIFICATION CODE _____
 REFER TO CH00-0250-004 (2)

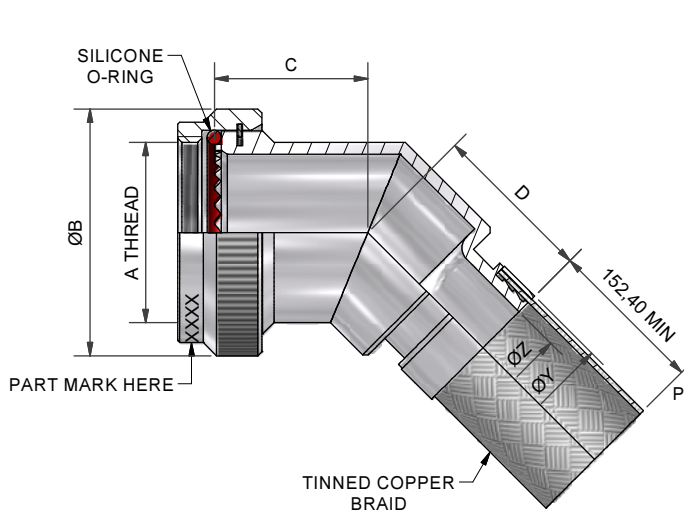
NOTES:

1. THIS PRODUCT IS DESIGNED TO TERMINATE A HEAT SHRINKABLE LIPPED BOOT TO A CONNECTOR.
- (2) FOR ADDITIONAL DIMENSIONS, ORDERING INFORMATION AND MODIFICATIONS, SEE CH00-0250-004
3. BACKSHELL TO BE PERMANENTLY MARKED/BAGGED AND LABELLED WITH CODE IDENTIFICATION NUMBER AND PART NUMBER. (e.g. 06090-204M112-19B08).
- (4) WHEN ENTRY SIZE EXCEEDS "MAX ENTRY", A 2 PIECE BACKSHELL (TYPE 2) IS SUPPLIED.
5. BRAID TERMINATION RING MAY BE SUPPLIED AS TINEL-LOCK SHAPE MEMORY RING AT MANUFACTURERS OPTION.
6. BACKSHELL MATES TO MIL-DTL-38999 SERIES I & II, CLASS E & T, MS27466, MS27467, MS27468, MS27472, MS27473, MS27474, MS27479, MS27480, MS27481, MS27484, MS27497, MS27652, MS27653, MS27654, MS27656 CONNECTORS.

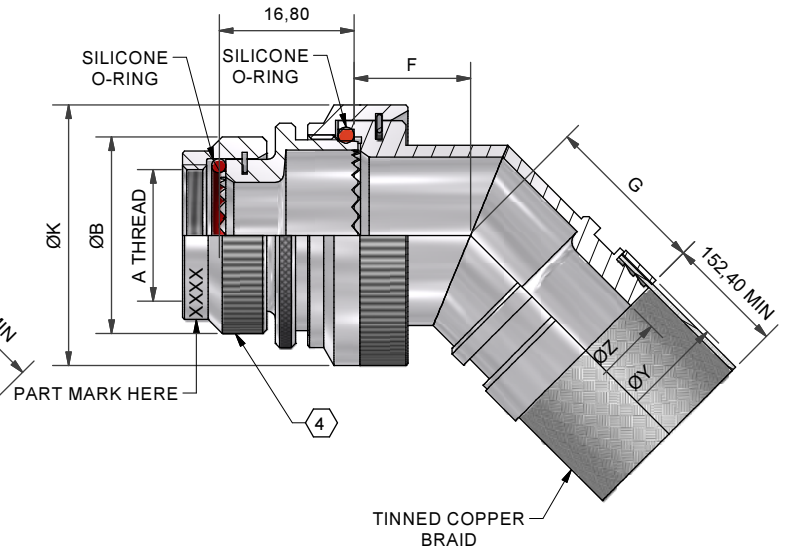
If this document is printed it becomes uncontrolled. Check for the latest revision

DRAWN	K.WINCZURA	DATE	17/06/2015	 3RD ANGLE PROJECTION NOT TO SCALE	TITLE: BRAID TAIL BACKSHELL (CODE 41)	 Polamco  TE <small>connectivity</small>		
CHECKED		17/06/2015						
APPROVED	K.SHEPPARD	22/06/2015	UNLESS OTHERWISE SPECIFIED ALL DIMENSIONS IN MILLIMETRES GENERAL TOL LINEAR +/-0.25MM ANGULAR +/- 1°					
APPROVED	H.SMITH	24/06/2015						
REVISIONS					ASSY USED ON: MIL-DTL-38999 SERIES I & II			
LTR	DESCRIPTION	DATE	APPROVED					
K	REVISED PER ECN AD930	19/05/1993	W.C.GAY					
L	REVISED PER ECO-15-009390	24/06/2015	H.SMITH					
TE CAGE CODE: 06090 POLAMCO/TE CAGE CODE: U5792					TE CONNECTIVITY - POLAMCO LTD RESERVES THE RIGHT TO AMEND THIS DRAWING AND THE INFORMATION SET FORTH HEREON AT ANY TIME. USERS SHOULD INDEPENDENTLY EVALUATE THE SUITABILITY OF THE PRODUCT FOR THEIR APPLICATION.	DRAWING NO: 204M1XX	DRAWING REV: L	SHT 1

IF MAX ENTRY IS EXCEEDED BACKSHELL
WILL BE SUPPLIED AS TYPE 2



45° BACKSHELL - TYPE 1



45° BACKSHELL - TYPE 2

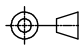


TABLE 1

BASE PART NUMBER	SHELL SIZE SER 1 / SER 2	A THREAD	ØB MAX	MAX ENTRY (4)	C ±0,5	D ±0,5
204M108	09 / 08	7/16-28UNEF	18,3	04	16,6	17,1
204M110	11 / 10	9/16-24UNEF	21,5	06	16,8	18,2
204M112	13 / 12	11/16-24UNEF	24,5	08	17,3	18,6
204M114	15 / 14	13/16-20UNEF	27,8	09	18,1	19,5
204M116	17 / 16	15/16-20UNEF	30,8	11	19,0	20,3
204M118	19 / 18	1 1/16-18UNEF	34,1	12	19,2	20,8
204M120	21 / 20	1 3/16-18UNEF	37,3	14	20,1	21,7
204M122	23 / 22	1 5/16-18UNEF	40,5	16	20,3	22,0
204M124	25 / 24	1 7/16-18UNEF	43,7	18	21,8	22,9

TABLE 2

ENTRY SIZE	ØZ REF	ØY REF	ØK MAX	F ±0,5	G ±0,5
03	4,77	13,1	NA	NA	NA
04	6,35	13,1	NA	NA	NA
05	7,92	13,1	21,0	12,5	18,2
06	9,52	17,9	21,0	12,5	18,2
07	11,12	17,9	21,0	12,5	18,2
08	12,70	17,9	24,5	13,1	18,6
09	14,27	17,9	24,5	13,1	18,6
10	15,87	24,2	29,0	13,5	19,5
11	17,47	24,2	32,5	14,5	20,3
12	19,05	24,2	32,5	14,5	20,3
13	20,62	24,2	35,5	15,5	20,8
14	22,23	30,6	35,5	15,5	20,8
15	23,82	30,6	37,0	16,1	21,7
16	25,40	30,6	37,0	16,1	21,7
17	26,98	33,2	40,0	16,5	22,0
18	28,60	33,2	40,0	16,5	22,0
20	31,80	42,0	43,5	17,0	22,9
21	33,34	42,0	48,5	18,5	24,8
22	35,00	42,0	48,5	18,5	24,8
24	38,10	42,0	52,1	21,9	25,8
28	44,45	49,0	58,5	25,7	26,4

If this document is printed it becomes uncontrolled. Check for the latest revision

DRAWN	K.WINCZURA	DATE	17/06/2015	 3RD ANGLE PROJECTION NOT TO SCALE	TITLE: BRAID TAIL BACKSHELL (CODE 41)	 Polamco		
CHECKED		17/06/2015						
APPROVED	K.SHEPPARD	22/06/2015	UNLESS OTHERWISE SPECIFIED ALL DIMENSIONS IN MILLIMETRES GENERAL TOL LINEAR +/-0,25MM ANGULAR +/- 1°					
APPROVED	H.SMITH	24/06/2015						
REVISIONS					ASSY USED ON: MIL-DTL-38999 SERIES I & II	 TE connectivity		
LTR	DESCRIPTION	DATE	APPROVED					
K	REVISED PER ECN AD930	19/05/1993	W.C.GAY					
L	REVISED PER ECO-15-009390	24/06/2015	H.SMITH					
TE CAGE CODE: 06090 POLAMCO/TE CAGE CODE: U5792					TE CONNECTIVITY - POLAMCO LTD RESERVES THE RIGHT TO AMEND THIS DRAWING AND THE INFORMATION SET FORTH HEREON AT ANY TIME. USERS SHOULD INDEPENDENTLY EVALUATE THE SUITABILITY OF THE PRODUCT FOR THEIR APPLICATION.	DRAWING NO: 204M1XX	DRAWING REV: L	SHT 2