

REV. Status

ADSL Inductor

REVISION
01/09/02 MP

REVISION A
CHANGED
MARKING
05/09/02 MP

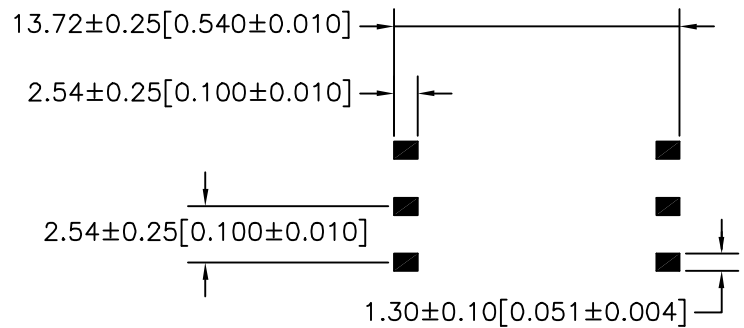
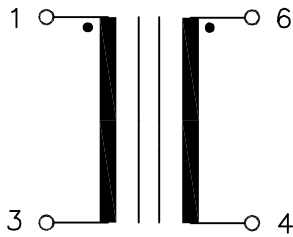
REVISION B
CHANGED A.3
05/28/02 MP

A. Electrical Specifications (@ 25°C)

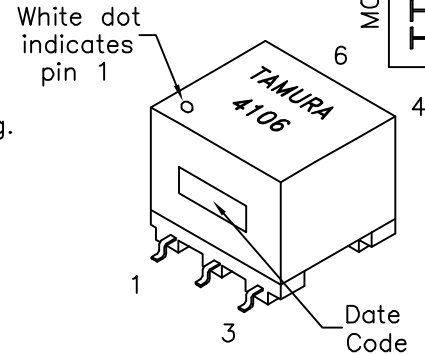
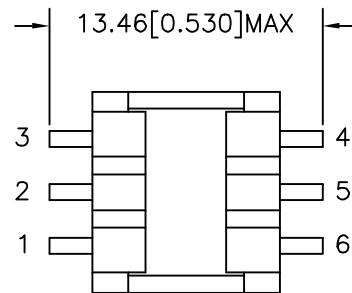
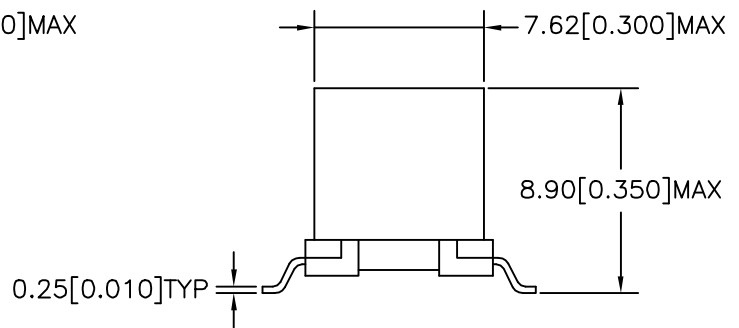
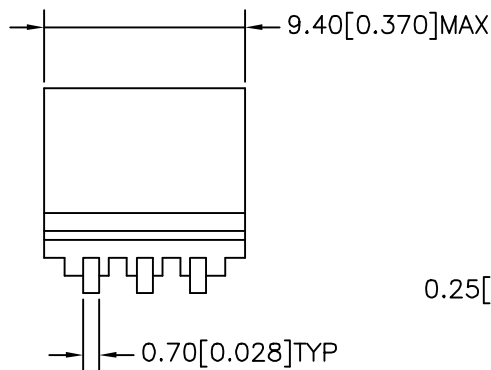
1. Primary Open Circuit Inductance; $90\mu\text{H} \pm 5\%$ @ 10KHz, 0.1Vrms, 100mA DC Measured (1-3) and (4-6)
2. DC Resistance; (1-3)= 1.0Ω MAX
(4-6)= 1.0Ω MAX
3. Turns Ratio; (1-3):(4-6)= $1:1.00 \pm 1\%$
4. Dielectric Strength; 630Vrms 1 second @ Wdg. to Wdg.
5. Operating Temperature Range; -40°C to $+85^\circ\text{C}$

B. Marking; 4106, TAMURA and date code

C. Schematic and Mounting Footprint;



D. Mechanical Specifications;



MODEL NUMBER
TTC-4106

PREPARED BY:

D. Rund

ENGINEER:

M. Pitchai

QUALITY CONTROL:

D. Kelley

APPROVED:

J. Coleman

DWG CONTROL NO.
P-A1-12895
ACAD\TTC\A1128951.DWG

REV
B

ADSL
INDUCTOR

TAMURA CORPORATION OF AMERICA
43352 BUSINESS PARK DRIVE, TEMECULA, CA. 92590-6624
(909) 699-1270 FAX 9096769482

TTC-4106

MODEL SPECIFICATION

DIM: mm(in) SCL: 3/1 SH: 1 OF 1

PROPRIETARY NOTICE: THIS DRAWING PRINT OR DOCUMENT AND SUBJECT MATTER DISCLOSED HEREIN ARE PROPRIETARY ITEMS TO WHICH TAMURA RETAINS THE EXCLUSIVE RIGHT OF DISSEMINATION, REPRODUCTION, MANUFACTURE AND SALE. THIS DRAWING, PRINT OR DOCUMENT IS SUBMITTED IN CONFIDENCE FOR CONSIDERATION BY THE RECIPIENT ALONE UNLESS PERMISSION FOR FURTHER DISCLOSURE IS EXPRESSLY GRANTED IN WRITING.