

DWG NO.

DO NOT SCALE

**METRIC**

3rd ANGLE PROJECTION

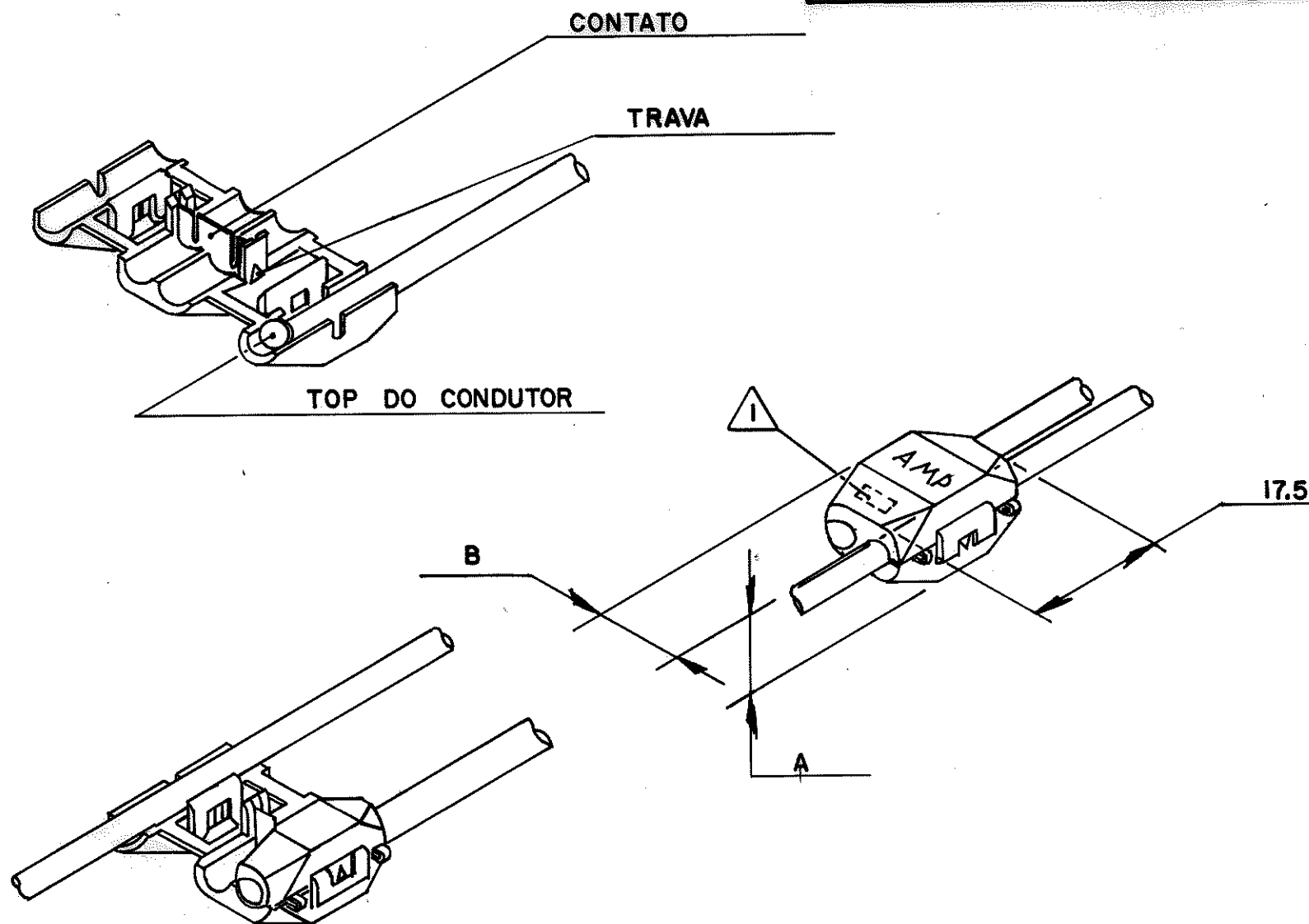
REQ. PER ASSY

ITEM

DESCRIPTION

MATERIAL

FINISH



- ⚠️ 1 GRAVAR BITOLA DE FIOS DE ACORDO COM TABELA ABAIXO.
- ⚠️ 2 ETIQUETA PN 493294-1 APENAS PARA PMSP.
- ⚠️ 1 ENGRAVE WIRE DIMENSION ACC. TO TABLE BELLOW.
- ⚠️ 2 LABEL PN 493294-1 ONLY FOR PMSP.
- ⚠️ 3 OBSOLETE PARTS: OBSOLETE CIS STREAMLINING PER D.RENAUD/D.SINISI

⚠️ 3 OBSOLETE	↑	↑	↑	05 - 0,8	RED	↑	↑	626437-4
	↑	↑	↑	↑	BLACK	NYLON 6/6 UV PROTECTED	↑	<del>626437-3</del> ⚠️ 2
	12,6	10,0	4	1,0 - 2,5	BLUE	NYLON 6/6	TIN BRASS	626437-2
	B	A	∅ MAX. ISOLATING (mm)	WIRE DIM. mm <sup>2</sup> ⚠️ 1	COLOUR	ISOLATOR	CONTACT	PART NUMBER

**CUSTOMER DWG**  
for REFERENCE ONLY

THIS DRAWING IS UNPUBLISHED RELEASED FOR PUBLICATION  
© COPYRIGHT 19 BY AMP DO BRASIL LTDA S.P. ALL INTERNATIONAL RIGHTS RESERVED AMP PRODUCTS MAY BE COVERED BY U.S. AND FOREIGN PATENTS AND/OR PATENTS PENDING.

TOLERANCES UNLESS OTHERWISE STATED  
DEC. ± 1.0  
ANGLES ± 1°

DR. 04 DEC 97  
C.A.FERNANDES

**AMP** AMP do BRASIL LTDA.  
São Paulo, Brasil

E1	REVISED PER ECO-09-026444	KK	AEG	27NOV09	CHK.	15 Jan 98
E	REVISED BY LE.10.0445/04	H.C.		21 JAN 03	J.A.VIEIRA	
D	REVISED BY LE.10.0277/04	H.C.		28.09.04		
C1	REDRAW LBOO 437/97	C.A.F.		4.12.97		
ISS	REVISION	RECORD	ECN	DR	CHK	DATE

DESCRIPTION  
**ELECTRO-TAP**

DWG NO. **A3 C 626437**

SHEET 1 OF 1