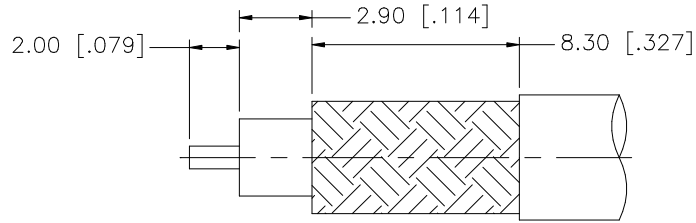
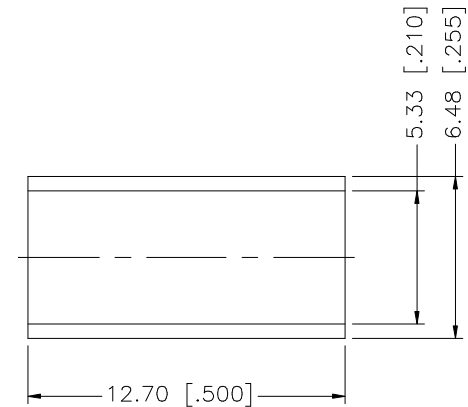
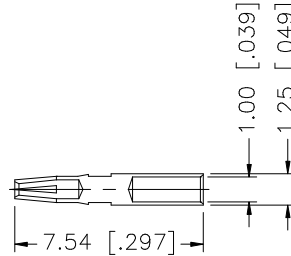
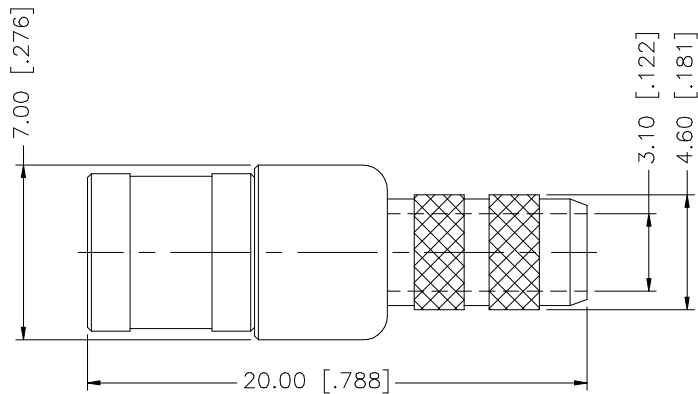


REV.	DATE	DESCRIPTION
NC	11/08/99	INITIAL RELEASE
A	10/01/06	UPDATE DRAWING FORMAT



RECOMMENDED
CABLE STRIPPING DIM'S



NOTE:

1. CRIMPED FERRULE HEX CRIMP SIZE .213"

				UNLESS OTHERWISE SPECIFIED DIMENSIONS ARE IN MILLIMETERS, DIMENSIONS IN [] ARE IN INCHES AND FOR CUSTOMER REFERENCE ONLY.	APPROVALS	DATE	Amphenol Connex				
8				UNLESS OTHERWISE SPECIFIED TOLERANCES FOR MILLIMETERS ARE: 0.5 - 8mm ± 0.20mm 8 - 30mm ± 0.40mm 30 - 120mm ± 0.50mm UNLESS OTHERWISE SPECIFIED TOLERANCES FOR INCHES ARE: .020 - .315 ± 0.007" .315 - 1.180 ± 0.015" 1.180 - 4.724 ± 0.020"	DRAWN	G.R.S.					10/01/06
7					CHECKED			PART NO. 142255			
6				ISSUED			DWG. NO. 142255.DWG				
5				SHEET	1 OF 1						REV. A
4	FERRULE	COPPER	GOLD	1	CAD FILE		SCALE NA				
3	CONTACT PIN	BER. COPPER	GOLD	1	C:/142/142255.DWG						
2	INSULATOR	TEFLON	NATURAL	1							
1	BODY	BRASS	GOLD	1							
DESCRIPTION				MATERIAL	FINISH	QTY	DO NOT SCALE DRAWING				