

Housing - HC-COM-CHWS-1TGM25-PL-BK - 1012521


Please be informed that the data shown in this PDF Document is generated from our Online Catalog. Please find the complete data in the user's documentation. Our General Terms of Use for Downloads are valid (<http://phoenixcontact.com/download>)



Coupling housings COM, with single locking latch, material: PA, cable outlets: 1, straight, height: 68 mm, cable gland: with, support sleeve: no, 1x M25, Standard



Key Commercial Data

Packing unit	1 pc
GTIN	 4 0 5 5 6 2 6 4 8 8 9 4 3
GTIN	4055626488943
Weight per Piece (excluding packing)	60.000 g
Custom tariff number	85389099
Country of origin	China

Technical data

Dimensions

Height	68 mm
External cable diameter	10 mm ... 16 mm

Ambient conditions

Degree of protection (IP)	IP66
Ambient temperature (operation)	-40 °C ... 125 °C

General

Size	COM
Housing type	Coupling housings
Color	black
Locking type	with single locking latch

Housing - HC-COM-CHWS-1TGM25-PL-BK - 1012521

Technical data

General

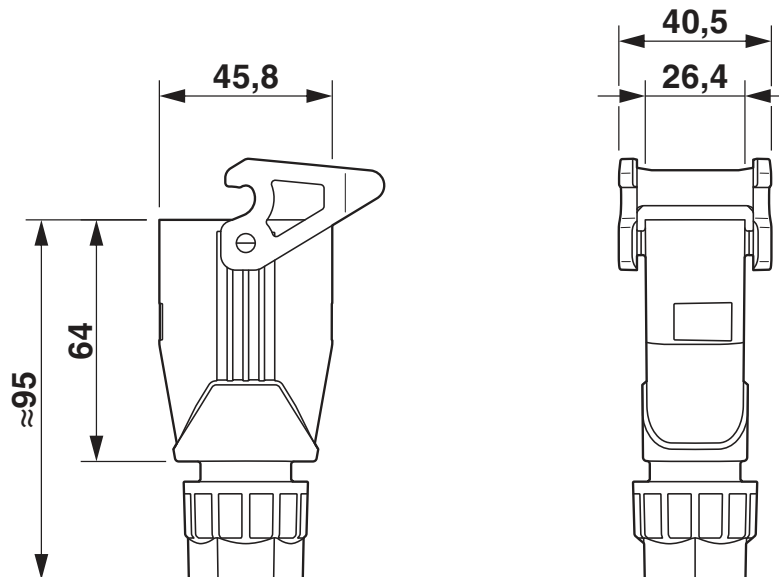
No. of cable outlets	1
Cable outlet	straight
Screw connection	with
Type of the screw connection	1x M25
Housing material	PA
Material lock	PA
Flammability rating according to UL 94	V0 (Housing)
	V0 (Interlock)

Environmental Product Compliance

China RoHS	Environmentally Friendly Use Period = 50 years
	For details about hazardous substances go to tab "Downloads", Category "Manufacturer's declaration"

Drawings

Dimensional drawing



Classifications

eCl@ss

eCl@ss 10.0.1	27440202
eCl@ss 11.0	27440202

Housing - HC-COM-CHWS-1TGM25-PL-BK - 1012521

Classifications

eCl@ss

eCl@ss 4.0	27140816
eCl@ss 4.1	27140816
eCl@ss 5.0	27143424
eCl@ss 5.1	27261200
eCl@ss 6.0	27261200
eCl@ss 7.0	27440202
eCl@ss 9.0	27440202

ETIM

ETIM 4.0	EC000437
ETIM 6.0	EC000437
ETIM 7.0	EC000437

UNSPSC

UNSPSC 6.01	31261502
UNSPSC 7.0901	31261502
UNSPSC 11	31261502
UNSPSC 12.01	31261502
UNSPSC 13.2	31261501
UNSPSC 18.0	31261501
UNSPSC 19.0	31261501
UNSPSC 20.0	31261501
UNSPSC 21.0	31261501

Approvals

Approvals

Approvals

EAC

Ex Approvals

Approval details

Housing - HC-COM-CHWS-1TGM25-PL-BK - 1012521

Approvals

EAC



RU C-
DE.BL08.B.00511

Accessories

Accessories

Protective cover

Protective covers - HC-COM-BCFS-PLR-BK - 1079397



Protective cover COM, for single locking latch, protective cover material: PA, height: 24.5 mm, Standard, for socket inserts

Protective covers - HC-COM-BCFS-PL-BK - 1079396



Protective cover COM, for single locking latch, protective cover material: PA, height: 24.5 mm, Standard, for pin inserts