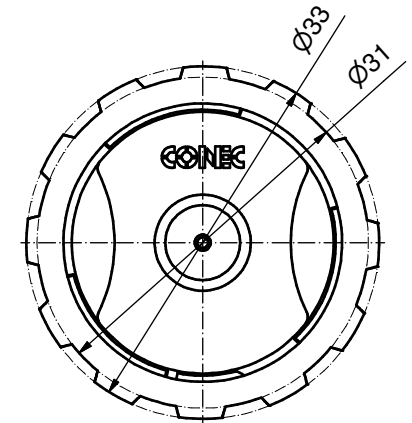
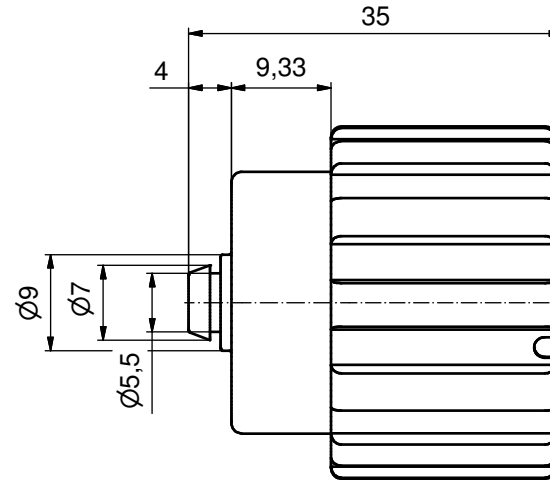
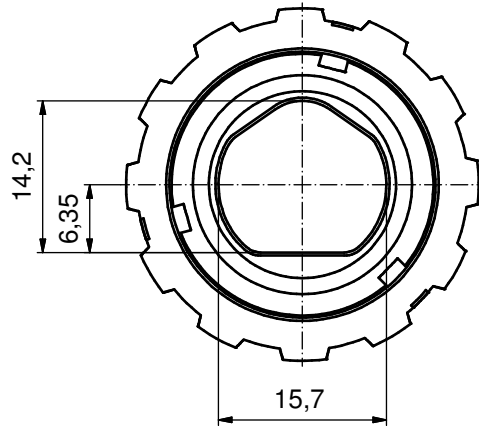
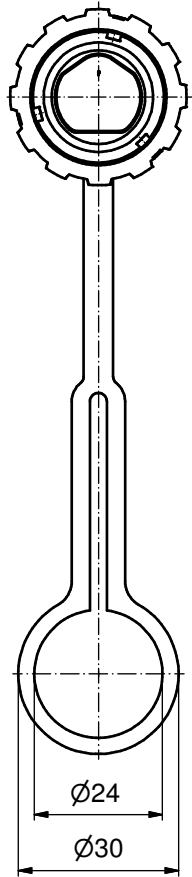
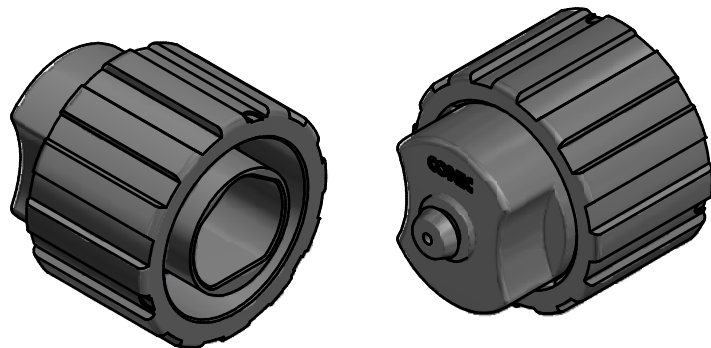


VIEWS WITHOUT TETHER



NOTES:

- MATERIAL AND FINISH:
 - COUPLER RING: PA GF (BLACK); UL94 V-0; UL (f1) RATED
 - COVER HOUSING: PA GF (BLACK); UL94 V-0; UL (f1) RATED
 - TETHER: PE-SW (BLACK),
 - INTERFACIAL SEAL: SILICONE; COLOR: WHITE
 - RETAINING RING: STAINLESS STEEL
- OPERATING TEMPERATURE: -40°C to +85°C
- IP67 RATED WHEN COVERED OR FULLY MATED WITH THE APPROPRIATE MATING CONNECTOR



RoHS compliant

THIS DRAWING MAY NOT BE COPIED OR REPRODUCED IN ANY WAY, AND MAY NOT BE PASSED ON TO A THIRD PARTY WITHOUT WRITTEN PERMISSION. OWNERSHIP AND COPYRIGHT OF CONEC GmbH DO NOT ALTER CAD DRAWING BY HAND				tolerance		scale: 2:1 (1:1)	
					dim. in mm	material: see notes	
				date	name	title: Protective Cover for IP67 Duplex Power 3pos Female Cable Assembly	
				drawn 04.10.13	Schmidt		
				appd. 04.10.13	Strakerjahn		
			norm		dwg no:		
			d-old		17K1A426	DIN-A3	
			1 x b	Ä6182	06.06.2016	K.H.	sh: 1
			a	Original			
			rev.	description	date	name	part no: 17-400200

