

30.5	29.3	25.65	24.5	54104-5033	50
28.5	27.3	23.65	22.5	54104-4633	46
28.0	26.8	23.15	22.0	54104-4533	45
25.5	24.3	20.65	19.5	54104-4033	40
24.5	23.3	19.65	18.5	54104-3833	38
23.5	22.3	18.65	17.5	54104-3633	36
23.0	21.8	18.15	17.0	54104-3533	35
22.5	21.3	17.65	16.5	54104-3433	34
22.0	20.8	17.15	16.0	54104-3333	33
21.5	20.3	16.65	15.5	54104-3233	32
20.5	19.3	15.65	14.5	54104-3033	30
D	C	B	A	オーダー番号 ORDER NO.	CKT.

CONNECTOR SERIES NO. 54104-\*\*22

GENERAL TOLERANCES (UNLESS SPECIFIED)	
10 UNDER	± 0.2
10 OVER 30 UNDER	± 0.25
30 OVER	± 0.3
ANGULAR	± --- °
DRAFT WHERE APPLICABLE MUST REMAIN WITHIN DIMENSIONS	

THIS DRAWING CONTAINS INFORMATION THAT IS PROPRIETARY TO MOLEX ELECTRONIC TECHNOLOGIES, LLC AND SHOULD NOT BE USED WITHOUT WRITTEN PERMISSION

SCALE: 8:1

CURRENT REV DESC: REVISED

**molex**

0.5MM FPC CONN ZIF R/A HOUSING ASSY (UPPER CONTACT)

PRODUCT CUSTOMER DRAWING

EC NO: 600129  
DRWN: YCHEN128 2018/04/10  
CHK'D: KTAKAHASHI 2018/04/12  
APPR: NUKITA 2018/04/13

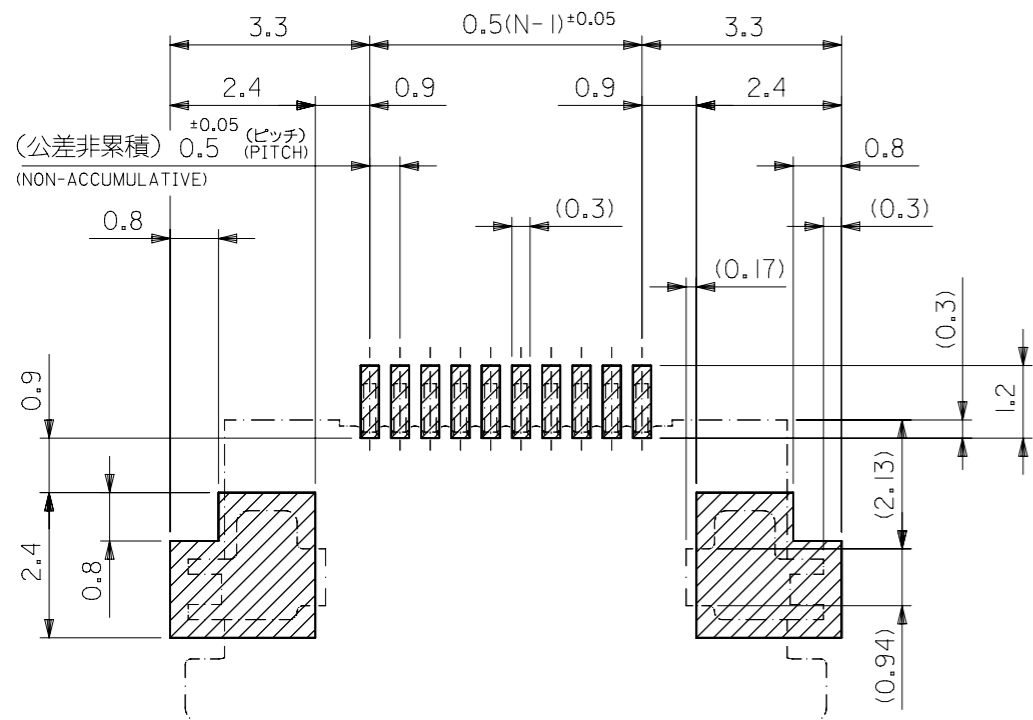
INITIAL REVISION:  
DRWN: KNAGUMO 2012/09/03  
APPR: KMORIKAWA 2013/03/15

THIRD ANGLE PROJECTION

DRAWING: A3-SIZE  
SERIES: 54104

DOCUMENT NUMBER: SD-54104-083  
DOC TYPE: PSD  
DOC PART: 001  
REVISION: D

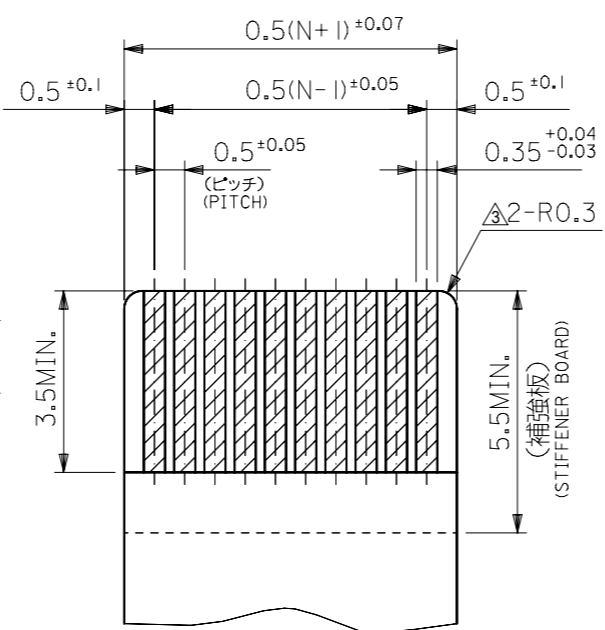
MATERIAL NUMBER: GENERAL MARKET  
CUSTOMER: GENERAL MARKET  
SHEET NUMBER: 1 OF 2



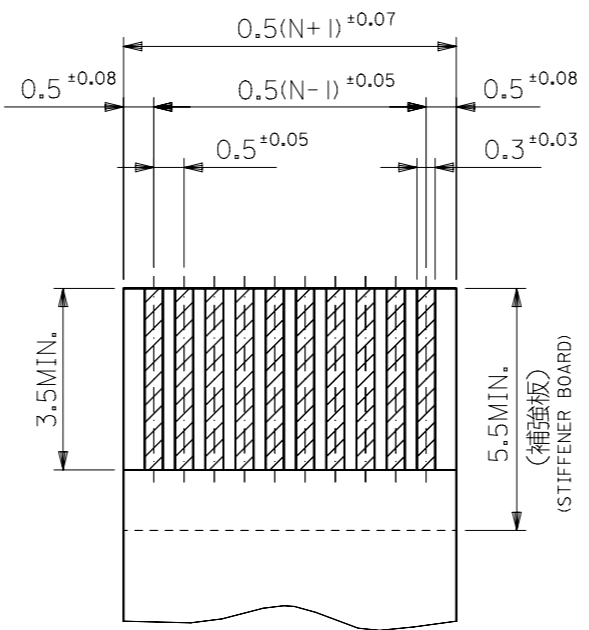
**推奨基板レイアウト**  
 RECOMMENDED P.C. BOARD  
 PATTERN DIMENSION (REF.)  
 (マウント面)  
 (MOUNTING SIDE)  
 マスク厚 : 100μm  
 マスク開口率 : 100%  
 SCREEN THICKNESS : 100 MICROMETER  
 SCREEN OPEN RATIO : 100%

**注記 NOTES**

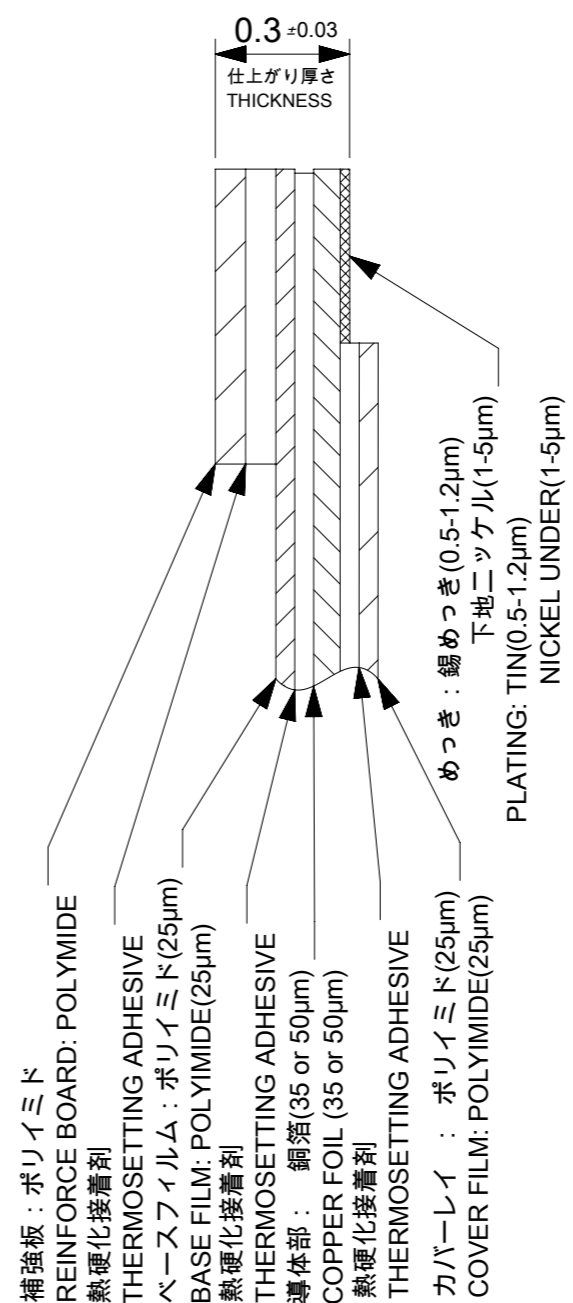
- 材質 MATERIAL  
 ハウジング : ポリアミド (PPS) 、ガラス充填、ナチュラル(白色)、UL94V-0  
 HOUSING : POLYAMIDE , GLASS FILLED, NATURAL(WHITE), UL94V-0  
 アクチュエータ : ポリフェニレンサルファイド、ガラス充填、ナチュラル (茶色) 、UL94V-0  
 ACTUATOR : POLYPHENYLENE SULFIDE , GLASS FILLED, NATURAL(BROWN), UL94V-0  
 ターミナル : リン青銅 (t=0.20)  
 TERMINAL : PHOSPHER BRONZE (t=0.20)  
 金具 : リン青銅 (t=0.2)  
 NAIL : PHOSPHER BRONZE (t=0.2)
- メッキ仕様 PLATING  
 ターミナル TERMINAL  
 錫銀ビスマスメッキ(1.0μm以上)  
 TIN SILVER BISMUTH PLATING(1.0 MICROMETER MINIMUM)  
 下地メッキ : ニッケルメッキ(1.0μm以上)  
 UNDER PLATING : NICKEL PLATING(1.0 MICROMETER MINIMUM)  
 金具 NAIL  
 錫メッキ(1.0μm以上)  
 TIN PLATING(1.0 MICROMETER MINIMUM)  
 下地メッキ : ニッケルメッキ(1.0μm以上)  
 UNDER PLATING : NICKEL PLATING(1.0 MICROMETER MINIMUM)
- R0.3はFPCの導体部にかからないこと  
 R0.3 MUST NOT BE OVERLAPED TO PATTERN OF FPC.
- 偶数極に適用  
 APPLY FOR EVEN CIRCUIT
- エンボステープ梱包時は、アクチュエータがロックした状態とする。  
 IN THE PACKAGE, ACTUATOR SHOULD BE LOCKED.
- ソルダーテール半田付け面のズレ量、及び金具半田付け面のズレ量は、基準面 [H] に対し、  
 上方向0.1MAX、下方向0.15MAXとし、相互のバラツキ量は0.1MAXとする  
 MISALIGNMENT OF SOLDER TAILS AND FITTING NAILS FROM [H] UPPER DIRECTION : 0.1MAX,  
 LOWER DIRECTION:0.15MAX. OFFSET BETWEEN UPPER AND LOWER 0.1MAX
- ソルダーテール及び金具の平坦度は、0.1ミリメートル以下とする。  
 SOLDER TAIL AND FITTING NAIL COPLANARITY TO BE 0.1MILLIMETERS.
- 本製品は54104シリーズの錫銀ビスマスめっき品である。  
 THIS PRODUCT IS Sn-Ag-Bi PLATING OF 54104 SERIES.
- ELV及びRoHS適合品  
 ELV & RoHS COMPLIAN



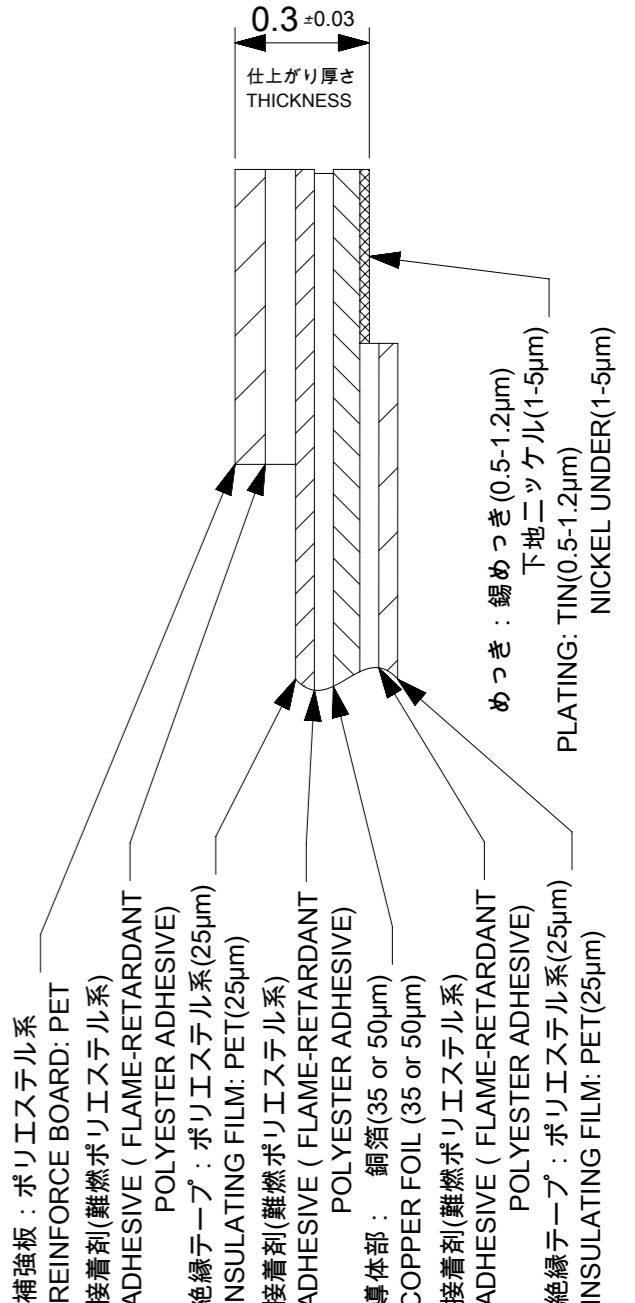
**適合FPC推奨寸法**  
 APPLICABLE FPC  
 RECOMMENDED DIMENSION  
 (仕上がり厚さ : 0.3±0.03)  
 (THICKNESS:0.3±0.03)



**適合FFC推奨寸法**  
 APPLICABLE FFC  
 RECOMMENDED DIMENSION  
 (仕上がり厚さ : 0.3±0.03)  
 (THICKNESS:0.3±0.03)



**FPC構成推奨仕様**  
 RECOMMENDED STRUCTURE OF FPC



**FFC構成推奨仕様**  
 RECOMMENDED STRUCTURE OF FFC

FPC/FFCについて:  
 抜き方向は、導体側から補強板側を推奨致します。  
 尚、接着剤の接点部への付着は導通不良の原因になりますので、  
 染み出しが無い様お願い致します。

ABOUT FPC/FFC:  
 RECOMMENDED PUNCHER DIRECTION:  
 FROM CONDUCTOR SIDE TO STIFFNER SIDE  
 PLEASE PUT APPROPRIATE AMOUNT OF ADHESIVE ON ADHEREND  
 BECAUSE THERE IS A POSSIBILITY THAT THE EXTRA ADHESIVE  
 CAUSES THE DEFECT IN ELECTRICAL CONTINUITY.

GENERAL TOLERANCES (UNLESS SPECIFIED)	
10 UNDER	± 0.2
10 OVER 30 UNDER	± 0.25
30 OVER	± 0.3
ANGULAR	± --- °
DRAFT WHERE APPLICABLE MUST REMAIN WITHIN DIMENSIONS	

THIS DRAWING CONTAINS INFORMATION THAT IS PROPRIETARY TO MOLEX ELECTRONIC TECHNOLOGIES, LLC AND SHOULD NOT BE USED WITHOUT WRITTEN PERMISSION		CURRENT REV DESC: REVISED	
DIMENSION UNITS: mm	SCALE: 8:1	EC NO: 600129	
GENERAL TOLERANCES (UNLESS SPECIFIED)		DRWN: YCHEN128	2018/04/10
10 UNDER	± 0.2	CHK'D: KTAKAHASHI	2018/04/12
10 OVER 30 UNDER	± 0.25	APPR: NUKITA	2018/04/13
30 OVER	± 0.3	INITIAL REVISION:	
ANGULAR	± --- °	DRWN: KNAGUMO	2012/09/03
DRAFT WHERE APPLICABLE MUST REMAIN WITHIN DIMENSIONS		APPR: KMORIKAWA	2013/03/15
THIRD ANGLE PROJECTION		DRAWING: A3-SIZE	SERIES: 54104
MATERIAL NUMBER		CUSTOMER: GENERAL MARKET	SHEET NUMBER: 2 OF 2

**molex**

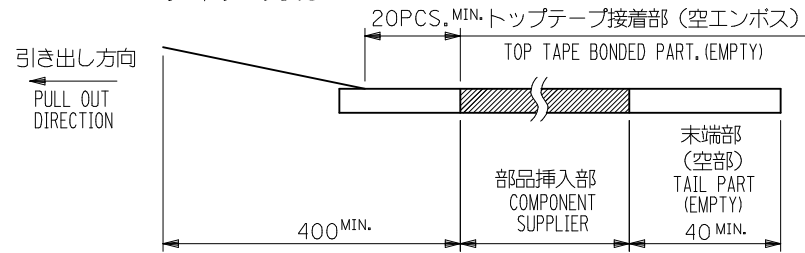
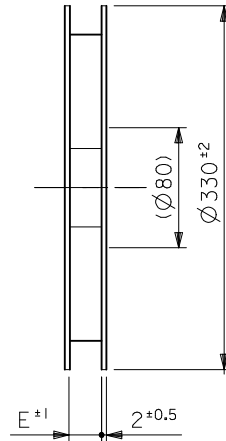
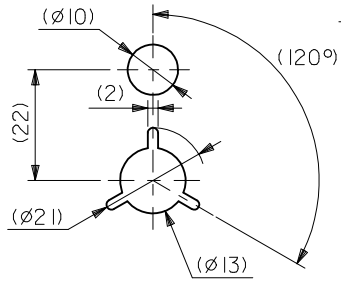
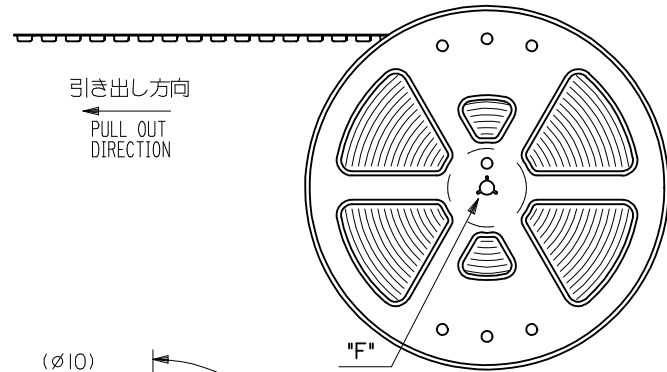
0.5MM FPC CONN ZIF R/A  
 HOUSING ASSY (UPPER CONTACT)

PRODUCT CUSTOMER DRAWING

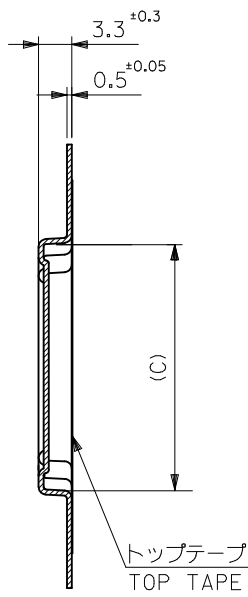
DOCUMENT NUMBER: SD-54104-083  
 DOC TYPE: PSD  
 DOC PART: 001  
 REVISION: D

NOTES

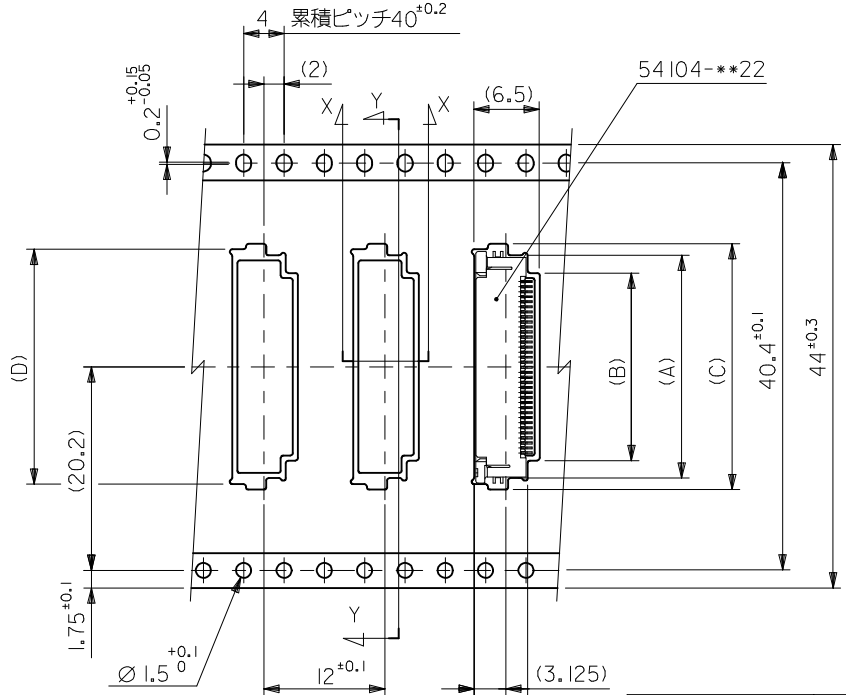
- 製品番号54104-\*\*-22の梱包状態はアクチュエータがロックした状態とする。  
詳細寸法については図面SD-54104-083を参照下さい。  
IN THE PACKAGE, ACTUATOR OF PART NO.54104-\*\*-22 SHOULD BE LOCKED  
DETAIL DIMENSIONS, SEE SD-54104-083
- 梱包数量：1500個/リール  
NUMBER OF CONNECTORS : 1500PCS/REEL
- リードテープ長さ LEAD TAPE LENGTH  
20PCS. MIN. トップテープ接着部 (空エンボス)  
TOP TAPE BONDED PART. (EMPTY)
- トップテープの剥離強度については、IEC60286-3に準拠  
TOP TAPE PEEL FORCE IS DEFINED BY IEC60286-3.
- 材料  
キャリアテープ：ポリプロピレン  
トップテープ：PET, PE, PEF  
リール：ポリスチレン (PE) <リサイクル材を含む>  
MATERIAL  
CARRIERTAPE : POLYPROPYLENE  
TOPTAPE : PET, PE, PEF  
REEL : POLYSTYREN (PE) <RECYCLE MATERIAL CONTAINED>
- ELV及びRoHS適合品  
ELV AND RoHS COMPLIANT



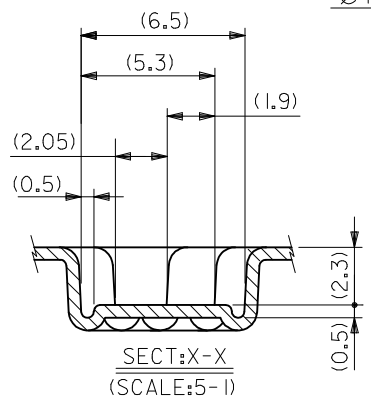
RELEASED EC NO.: J2013-1003 DRWN:KNAGUMO 2012/09/05 CHKD:KTAHASHI 2012/09/06 APP:KMORIKAWA 2013/03/15	DESCRIPTION REV 0	GENERAL TOLERANCES (UNLESS SPECIFIED)		DIMENSION STYLE MM ONLY		SCALE ---	DESIGN UNITS METRIC	THIRD ANGLE PROJECTION		
		10 UNDER	± ---	DRAWN BY KNAGUMO	DATE 2012/09/05	TITLE EMBOSS TAPE PACKAGED FOR 0.5MM FPC CONN ZIF R/A HOUSING ASSY				
		10 OVER 30 UNDER	± ---	CHECKED BY KTAHASHI	DATE 2012/09/06					
		30 OVER	± ---	APPROVED BY KMORIKAWA	DATE 2013/03/15					
ANGULAR ± --- °		DRAFT WHERE APPLICABLE MUST REMAIN WITHIN DIMENSIONS		MATERIAL NO. SEE CHART		DOCUMENT NO. SD-54104-084		SHEET NO. 1 OF 2		
SIZE A3 THIS DRAWING CONTAINS INFORMATION THAT IS PROPRIETARY TO MOLEX INCORPORATED AND SHOULD NOT BE USED WITHOUT WRITTEN PERMISSION										



SECT:Y-Y



引き出し方向



SECT:X-X  
(SCALE:5-1)

44	45.5	30.8	31.9	26.1	29.6	54104-5033	50	
		28.8	29.9	24.1	27.6	-4633	46	
		28.3	29.4	23.6	27.1	-4533	45	
		25.8	26.9	21.1	24.6	-4033	40	
		24.8	25.9	20.1	23.6	-3833	38	
		23.8	24.9	19.1	22.6	-3633	36	
		23.3	24.4	18.6	22.1	-3533	35	
		22.8	23.9	18.1	21.6	-3433	34	
		22.3	23.4	17.6	21.1	-3333	33	
		21.8	22.9	17.1	20.6	-3233	32	
20.8	21.9	16.1	19.6	54104-3033	30			
キャリアテープ幅 CARRIER TAPE WIDTH		E	D	C	B	A	製品番号 MATERIAL NO.	極数 CKT.

SEE SHEET 1 OF 2 EC NO: J2013-1003 DRWN:KNAGUMO 2012/09/05 CHKD:KTAKAHASHI 2012/09/06 APPR:KMORIKAWA 2013/03/15	GENERAL TOLERANCES (UNLESS SPECIFIED)		DIMENSION STYLE MM ONLY		SCALE ---	DESIGN UNITS METRIC	THIRD ANGLE PROJECTION	
	10 UNDER	± ---	DRAWN BY KNAGUMO	DATE 2012/09/05	TITLE EMBOSS TAPE PACKAGED FOR 0.5MM FPC CONN ZIF R/A HOUSING ASSY <b>molex</b>			
	10 OVER 30 UNDER	± ---	CHECKED BY KTAKAHASHI	DATE 2012/09/06				
	30 OVER	± ---	APPROVED BY KMORIKAWA	DATE 2013/03/15				
	ANGULAR	± --- °	MATERIAL NO.		DOCUMENT NO.	SHEET NO.		
DRAFT WHERE APPLICABLE MUST REMAIN WITHIN DIMENSIONS		SEE CHART		SD-54104-084		2 OF 2		