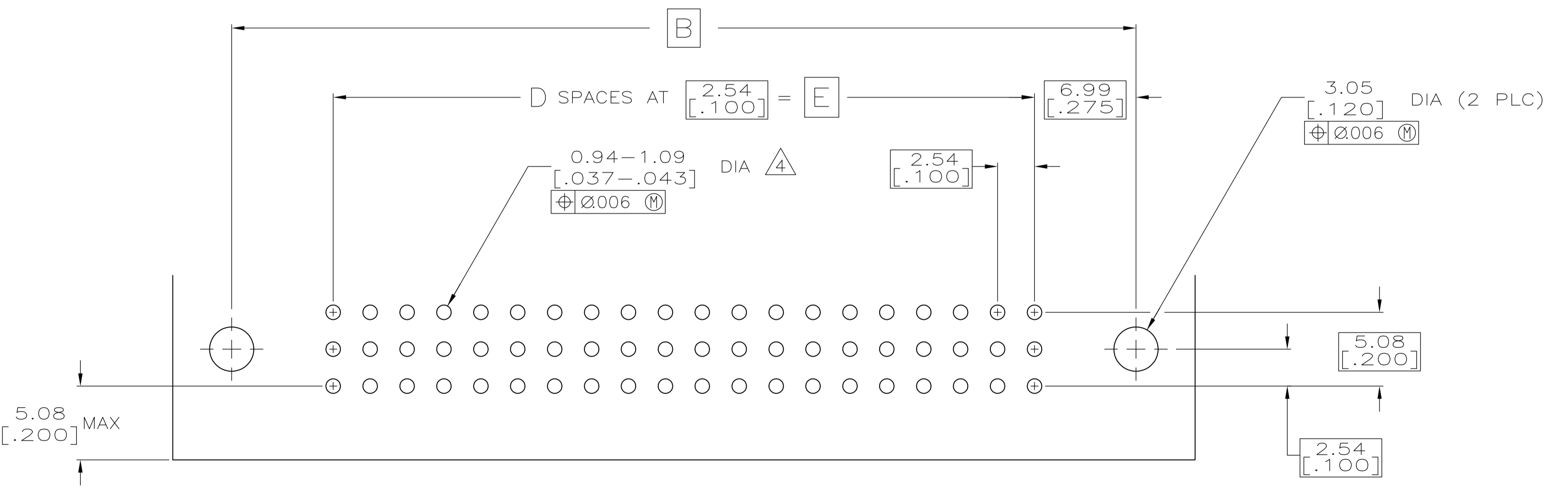
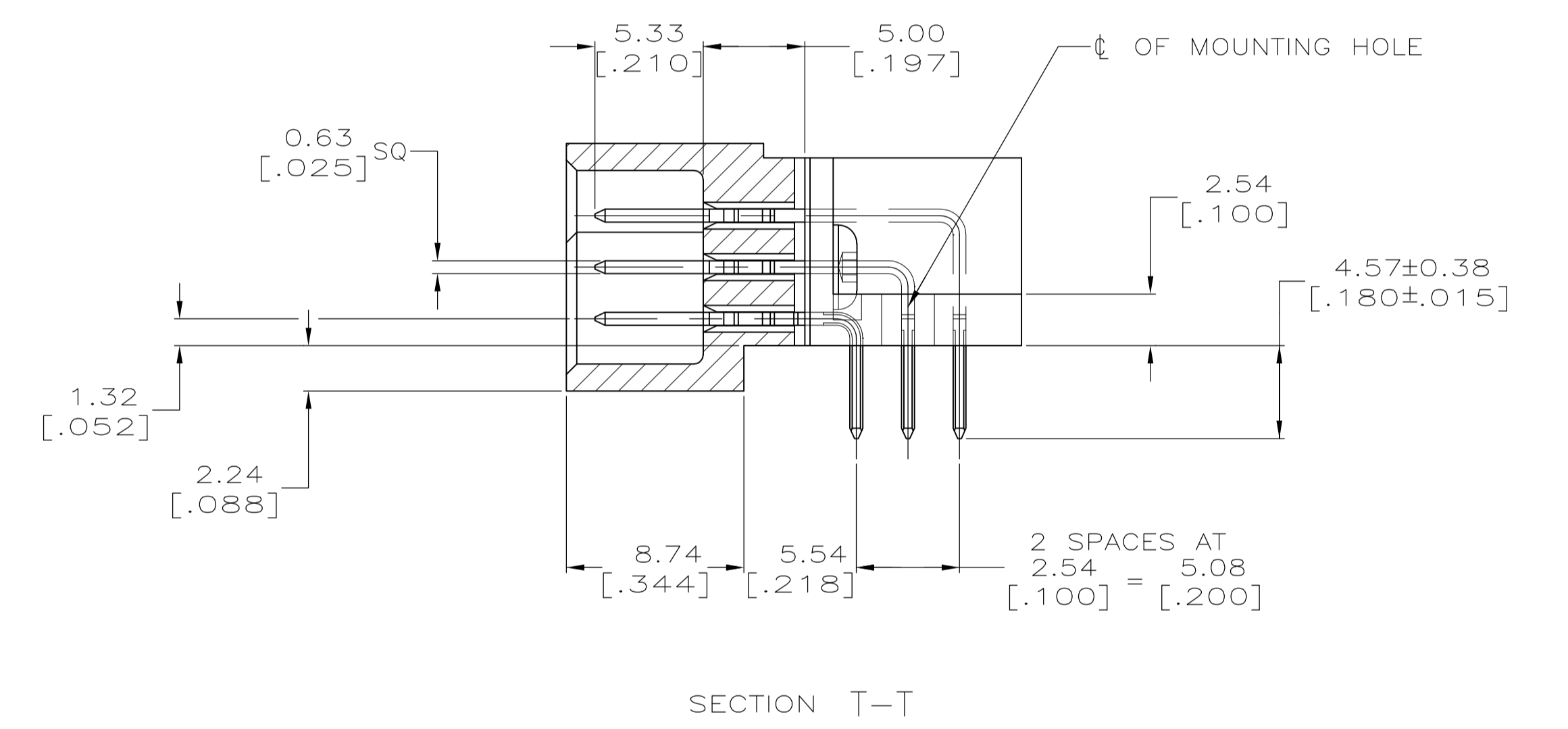
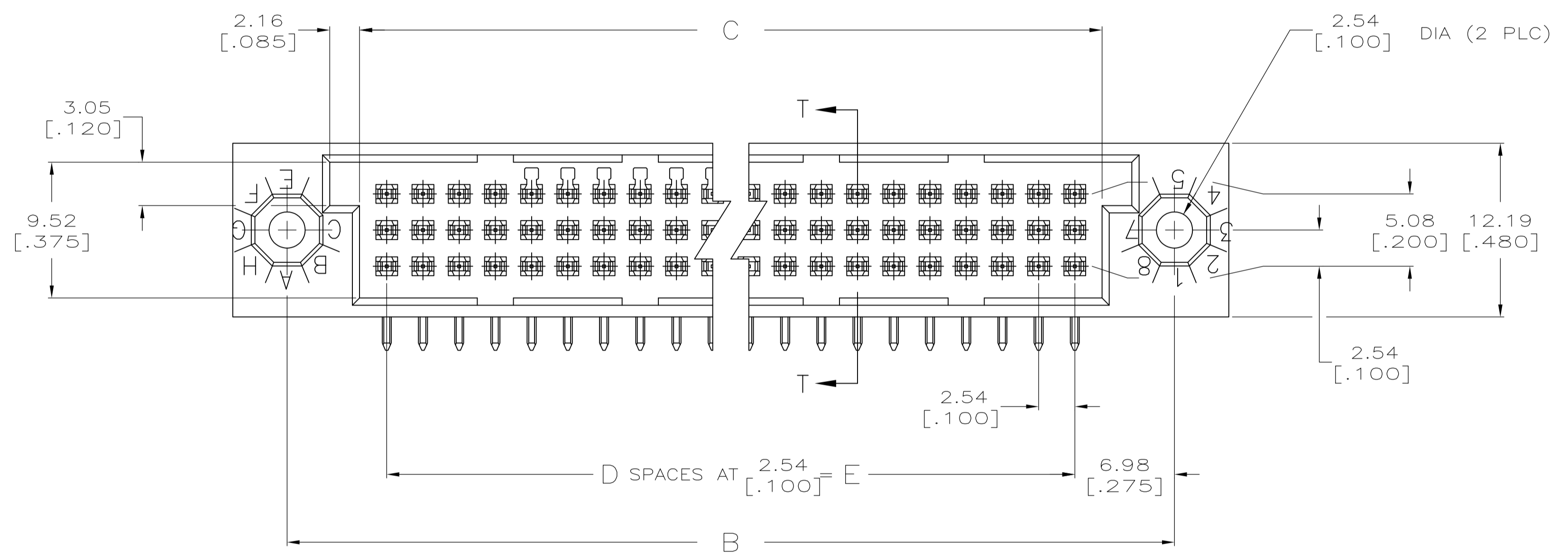
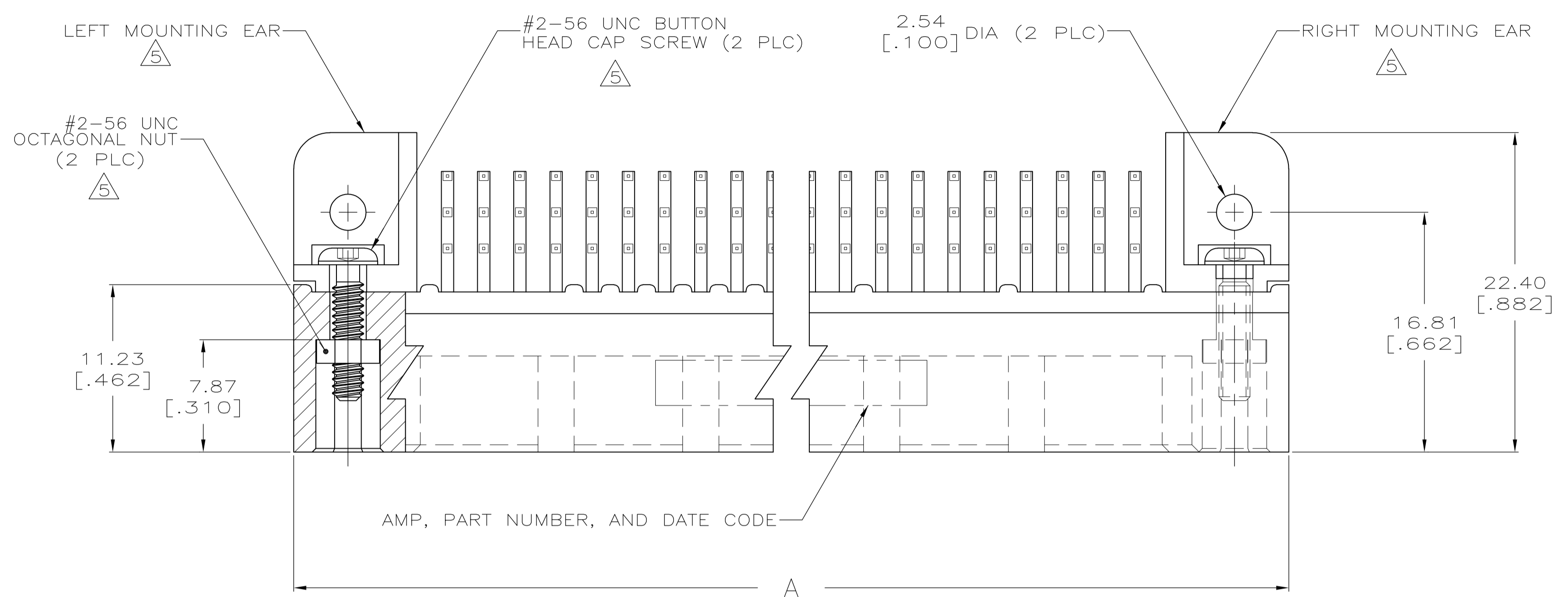


REVISIONS				
P	LTR	DESCRIPTION	DATE	APP'D
P		REVISED PER ECO-15-015252	13NOV15	BJ FY



RECOMMENDED P.C. BOARD LAYOUT

THIS DRAWING IS A CONTROLLED DOCUMENT.		DIN R.K. SEIFRIED 05/17/90	TE Connectivity	
DIMENSIONS: mm [INCHES]		CHK G. SKIPPER 9-22-93		
TOLERANCES UNLESS OTHERWISE SPECIFIED:		APP'D G. SKIPPER 9-22-93	NAME HDI, ASSEMBLY 3 ROW, RIGHT ANGLE PIN 4.57 [.180] LONG SOLDER TAILS	
0 PLC ± -	1 PLC ± -	PRODUCT SPEC	SIZE CAGE CODE DRAWING NO. RESTRICTED TO	
2 PLC ± 0.13 [.005]	3 PLC ± -	APPLICATION SPEC	A1 00779 C=533420	
4 PLC ± -	ANGLES ± -	WEIGHT	SCALE 4:1 SHEET 1 OF 2 REV P	
MATERIAL	FINISH	CUSTOMER DRAWING		

REVISIONS					
P	LTR	DESCRIPTION	DATE	DNW	APVD
-		SEE SHEET 1	-	-	-

- 1 HOUSING MATERIAL: THERMOPLASTIC, COLOR-BLACK.
- 2 CONTACT MATERIAL: PHOSPHOR BRONZE.
- 3 FINISH:
MATING AREA: MEETS THE PERFORMANCE REQUIREMENTS OF PRODUCT SPECIFICATION 108-9063; BASED ON TELCORDIA DR-1217-CORE APPLICATIONS IN UNCONTROLLED ENVIRONMENTS.
SOLDER TAILS AREA: TIN-LEAD PLATED.
- 4 RIGHT ANGLE PIN RECOMMENDED P.C. BOARD HOLE SIZES ARE 0.94-1.09 [.037-.043]; RECOMMENDED PAD DIA IS 1.52 [.060].
- 5 MOUNTING EARS AND HARDWARE PURCHASED SEPARATELY, KIT PART NUMBER 533050-1.
- 6 DIMENSIONS IN BRACKETS ARE IN INCHES.
- 7 HOUSINGS WITH CENTER MOUNTING IS RECOMMENDED FOR ASSEMBLIES HAVING 75 CONTACTS PER ROW OR MORE.
- 8 PART NUMBER IS OBSOLETE.
- 9 FINISH:
CONTACT FINISH: .00127-.00254 [.000050-.000100] NICKEL UNDERPLATE ALL OVER; .000762 [.000030] GOLD PLATE IN CONTACT AREA, TIN-LEAD PLATED POSTS.

48.26	+9	52.07	62.23	69.85	-60	2-533420-2
[1.900]		[2.050]	[2.450]	[2.750]		
43.18	+7	46.99	57.15	64.77	-54	2-533420-1
[1.700]		[1.850]	[2.250]	[2.550]		
81.28	-32	85.09	95.25	102.87	-99	2-533420-0
[3.200]		[3.350]	[3.750]	[4.050]		
210.82	-83	214.63	224.79	232.41	-252	1-533420-9
[8.300]		[8.450]	[8.850]	[9.150]		
167.64	-66	171.45	181.61	189.23	-201	1-533420-8
[6.600]		[6.750]	[7.150]	[7.450]		
251.46	-99	255.27	265.43	273.05	-300	1-533420-7
[9.900]		[10.050]	[10.450]	[10.750]		
238.76	-94	242.57	252.73	260.35	-285	1-533420-6
[9.400]		[9.550]	[9.950]	[10.250]		
226.06	-89	229.87	240.03	247.65	-270	1-533420-5
[8.900]		[9.050]	[9.450]	[9.750]		
213.36	-84	217.17	227.33	234.95	-255	1-533420-4
[8.400]		[8.550]	[8.950]	[9.250]		
200.66	-79	204.47	214.63	222.25	-240	1-533420-3
[7.900]		[8.050]	[8.450]	[8.750]		
187.96	-74	191.77	201.93	209.55	-225	1-533420-2
[7.400]		[7.550]	[7.950]	[8.250]		
175.26	69	179.07	189.23	196.85	210	1-533420-1
[6.900]		[7.050]	[7.450]	[7.750]		
162.56	-64	166.37	176.53	184.15	+95	1-533420-0
[6.400]		[6.550]	[6.950]	[7.250]		
149.86	59	153.67	163.83	171.45	180	533420-9
[5.900]		[6.050]	[6.450]	[6.750]		
137.16	-54	140.97	151.13	158.75	+65	533420-8
[5.400]		[5.550]	[5.950]	[6.250]		
124.46	-49	128.27	138.43	146.05	+50	533420-7
[4.900]		[5.050]	[5.450]	[5.750]		
111.76	-44	115.57	125.73	133.35	+35	533420-6
[4.400]		[4.550]	[4.950]	[5.250]		
99.06	-39	102.87	113.03	120.65	+20	533420-5
[3.900]		[4.050]	[4.450]	[4.750]		
86.36	-34	90.17	100.33	107.95	+05	533420-4
[3.400]		[3.550]	[3.950]	[4.250]		
78.74	31	82.55	92.71	100.33	96	533420-3
[3.100]		[3.250]	[3.650]	[3.950]		
73.66	-29	77.47	87.63	95.25	-90	533420-2
[2.900]		[3.050]	[3.450]	[3.750]		
60.96	24	64.77	74.93	82.55	75	533420-1
[2.400]		[2.550]	[2.950]	[3.250]		
E	D	C	B	A	POSN	PART NUMBER

THIS DRAWING IS A CONTROLLED DOCUMENT.		DIN R. K. SEIFRIED 05/17/90		TE Connectivity	
DIMENSIONS: mm [INCHES]		CHK G. SKIPPER 9-22-93			
TOLERANCES UNLESS OTHERWISE SPECIFIED:		APVD G. SKIPPER 9-22-93		NAME HDI, ASSEMBLY 3 ROW, RIGHT ANGLE PIN 4.57 [180] LONG SOLDER TAILS	
0 PLC ± -		PRODUCT SPEC		SIZE	
1 PLC ± -		APPLICATION SPEC		CAGE CODE	
2 PLC ± 0.13 [.005]		WEIGHT		DRAWING NO	
3 PLC ± -		CUSTOMER DRAWING		A1 00779 533420	
4 PLC ± -		SCALE 4:1		SHEET 2 OF 2	
ANGLES ± -		REV P			