

6

5

4

3

2

1

E

E

D

D

C

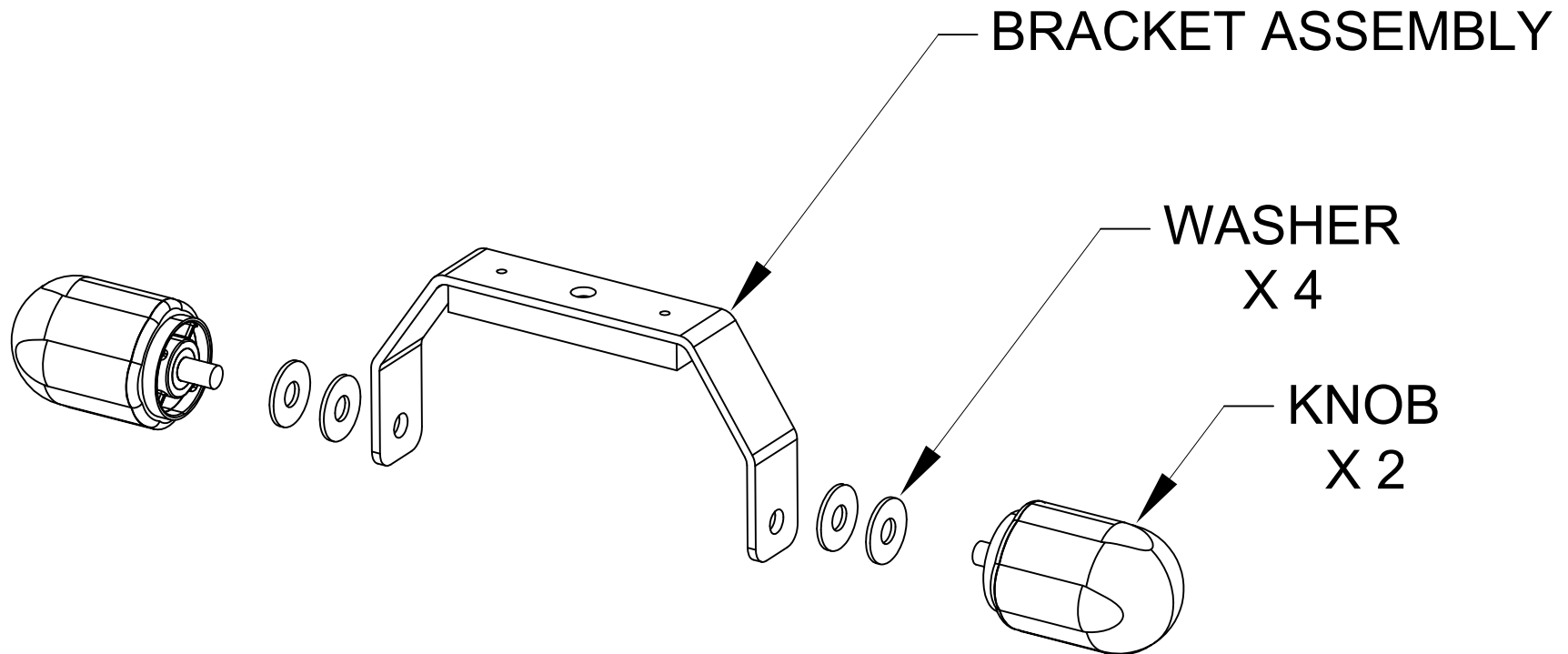
C

B

B

A

A



NOTES:

1. FOR USE WITH MOLEX STANCHION LIGHT SERIES 130289

ADD TWO WASHERS EC NO: WNA2010-0561 DRWN: MCHOJECK CHKD: DT APPR: DTITUS 2010/03/23	DESCRIPTION REV	QUALITY SYMBOLS	GENERAL TOLERANCES (UNLESS SPECIFIED)		DIMENSION STYLE INCH		SCALE NTS	DESIGN UNITS INCH	THIRD ANGLE PROJECTION																																								
		$\nabla=0$ $\nabla C=0$	<table border="1"> <thead> <tr> <th></th> <th>mm</th> <th>INCH</th> </tr> </thead> <tbody> <tr> <td>4 PLACES</td> <td>±---</td> <td>±---</td> </tr> <tr> <td>3 PLACES</td> <td>±---</td> <td>±---</td> </tr> <tr> <td>2 PLACES</td> <td>±---</td> <td>±---</td> </tr> <tr> <td>1 PLACE</td> <td>±---</td> <td>±---</td> </tr> </tbody> </table>		mm	INCH	4 PLACES	±---	±---	3 PLACES	±---	±---	2 PLACES	±---	±---	1 PLACE	±---	±---	<table border="1"> <thead> <tr> <th colspan="2">DRAWN BY</th> <th colspan="2">DATE</th> </tr> </thead> <tbody> <tr> <td>MC</td> <td></td> <td>2009/08/28</td> <td></td> </tr> <tr> <th colspan="2">CHECKED BY</th> <th colspan="2">DATE</th> </tr> <tr> <td>DT</td> <td></td> <td>2009/08/28</td> <td></td> </tr> <tr> <th colspan="2">APPROVED BY</th> <th colspan="2">DATE</th> </tr> <tr> <td>DTITUS</td> <td></td> <td>2010/03/11</td> <td></td> </tr> </tbody> </table>	DRAWN BY		DATE		MC		2009/08/28		CHECKED BY		DATE		DT		2009/08/28		APPROVED BY		DATE		DTITUS		2010/03/11		TITLE BRACKET ASSEMBLY KIT FOR STANCHION LIGHT		MATERIAL NO. 1301800650		DOCUMENT NO. SD-130180-004	SHEET NO. 1 OF 1
			mm	INCH																																													
		4 PLACES	±---	±---																																													
3 PLACES	±---	±---																																															
2 PLACES	±---	±---																																															
1 PLACE	±---	±---																																															
DRAWN BY		DATE																																															
MC		2009/08/28																																															
CHECKED BY		DATE																																															
DT		2009/08/28																																															
APPROVED BY		DATE																																															
DTITUS		2010/03/11																																															
DRAFT WHERE APPLICABLE MUST REMAIN WITHIN DIMENSIONS		ANGULAR ±---°		MOLEX INCORPORATED																																													
B		A		THIS DRAWING CONTAINS INFORMATION THAT IS PROPRIETARY TO MOLEX INCORPORATED AND SHOULD NOT BE USED WITHOUT WRITTEN PERMISSION																																													

6

5

4

3

2

1