

Overview

The KEMET SCF-X coils are common mode chokes with a wide variety of characteristics. These toroidal coils are designed with nanocrystalline metal cores and are useful in various noise countermeasure fields.

Applications

- Audio-visual equipment
- Industrial equipment
- Home appliances
- Power supplies

Benefits

- Nanocrystalline metal core
- Ultra-high inductance
- Ultra-high permeability
- Operating temperature range from -40°C to +130°C
- UL 94 V-0 flame retardant rated base and cap

SCF47X-JV



SCF47X-JH



SCF56X-JH



Part Number System

SCF	47X-	200-	S	1R8	B	011	JV
Series	Dimension Code (See Dimensions)	Rated Current (A)	Phase	Wire Diameter (mm)	Windings	Number of Turns	Terminal Base Type
SCF	47X 56X	xxx- = xx.x A Examples: 200 = 20.0 A	S = Three-phase	R = Decimal point Examples: 1R8 = 1.8 mm	A = Single B = Double C = Triple	00x = x turns 0xx = xx turns Examples: 005 = 5 turns 011 = 11 turns	JV = Vertical type JH = Horizontal type

Magnetic Permeability of Ferrite Material

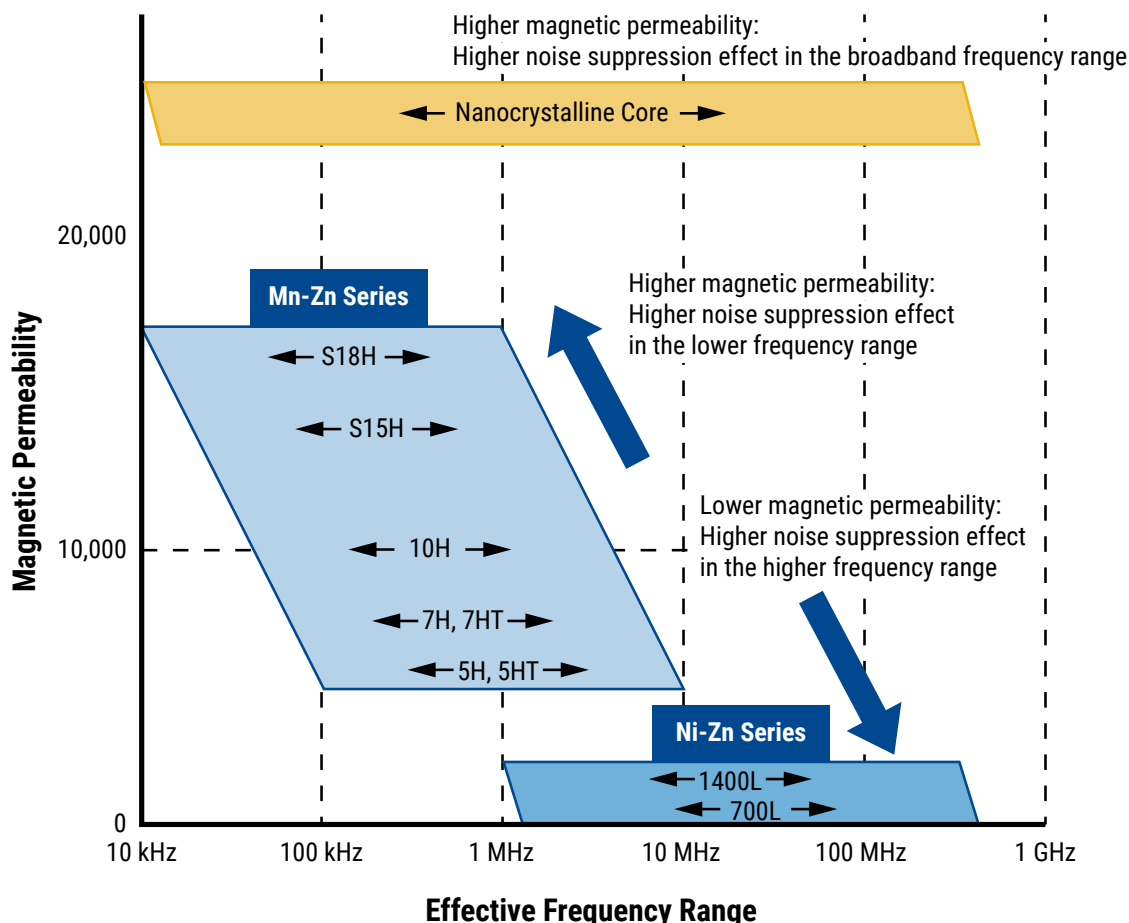
In order to achieve most efficient noise reduction, it is important to select the material according to the target frequency band. Depending on its magnetic permeability, a particular ferrite material will be effective in a certain frequency band. A schematic representation of the relationship between the magnetic permeability of each material and the corresponding effective band range is shown in Figure 1.

Materials with higher magnetic permeability are effective in the lower frequency range, while those with lower magnetic permeability are effective in the higher frequency range. Thus, Mn-Zn products are mainly used for reducing conduction noise, while Ni-Zn products are commonly used for radiation noise countermeasures.

The effective frequency range varies depending on core shape, size and number of windings. This frequency dependence of the magnetic permeability as shown in the figure serves for reference purposes only and it should be tested on the actual device to determine its effectiveness.

S18H, S15H, 10H, 7H, 7HT, 5H, 5HT, 1400L, and 700L are KEMET's proprietary ferrite material names. Other materials are available upon request.

Figure 1 - Relationship between the magnetic permeability of each material and its effective frequency range



Dimensions – Millimeters

Fig. 01

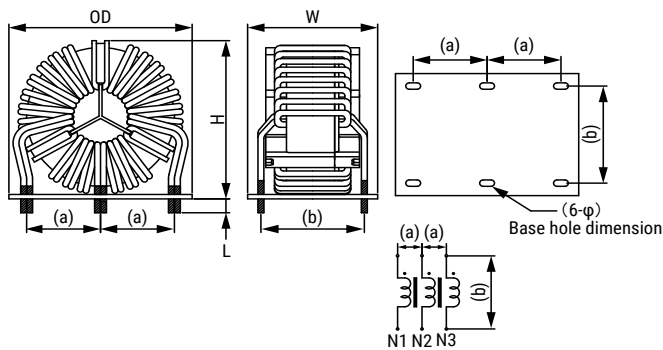


Fig. 02

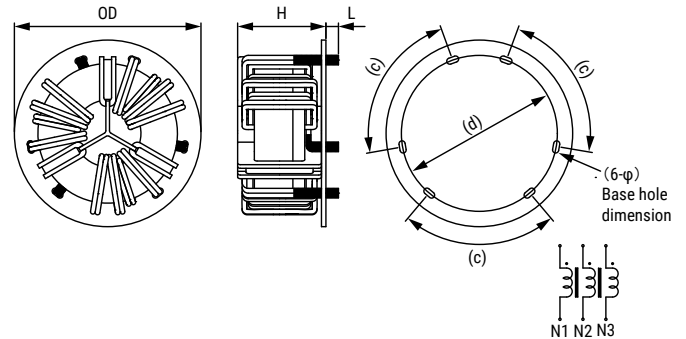
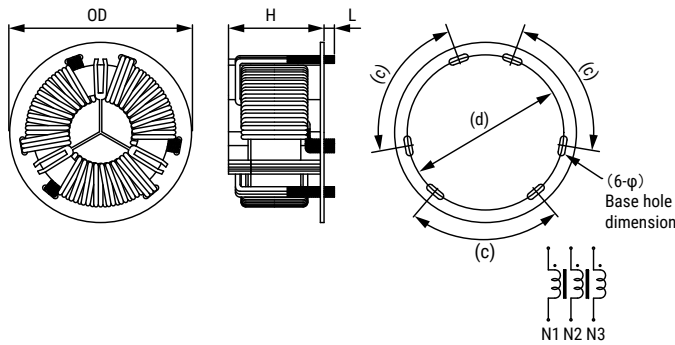


Fig. 03



Part Name	Dimensions (mm)				Pin Pitch ¹ (Reference)								Figure	
	OD (Maximum)	T (Maximum)	H (Maximum)	L	a	b	c	d	φ	e	f	R		
SCF47X-200-S1R8B011JV	63.0	45.0	61.0	4.5 ±1.5	25.0	35.0	-	-	-	-	-	-	-	Fig. 1
SCF47X-250-S1R9B010JV	63.0	45.0	61.0	4.5 ±1.5	25.0	35.0	-	-	-	-	-	-	-	Fig. 1
SCF47X-300-S2R0B009JV	63.0	45.0	61.0	4.5 ±1.5	25.0	35.0	-	-	-	-	-	-	-	Fig. 1
SCF47X-350-S2R1B008JV	63.0	45.0	61.0	4.5 ±1.5	25.0	35.0	-	-	-	-	-	-	-	Fig. 1
SCF47X-400-S2R2B007JV	63.0	45.0	61.0	4.5 ±1.5	25.0	35.0	-	-	-	-	-	-	-	Fig. 1
SCF47X-450-S2R3B006JV	63.0	45.0	61.0	4.5 ±1.5	25.0	35.0	-	-	-	-	-	-	-	Fig. 1
SCF47X-500-S2R4B005JV	63.0	45.0	61.0	4.5 ±1.5	25.0	35.0	-	-	-	-	-	-	-	Fig. 1
SCF47X-200-S1R8B011JH	70.0	-	38.0	4.5 ±1.5	-	-	80°	56.0	2.2×4.40×R1.10	-	-	-	-	Fig. 2
SCF47X-250-S1R9B010JH	70.0	-	38.0	4.5 ±1.5	-	-	80°	56.0	2.2×4.40×R1.10	-	-	-	-	Fig. 2
SCF47X-300-S2R0B009JH	70.0	-	38.0	4.5 ±1.5	-	-	80°	56.0	3.0×5.40×R1.50	-	-	-	-	Fig. 2
SCF47X-350-S2R1B008JH	70.0	-	38.0	4.5 ±1.5	-	-	80°	56.0	3.0×5.40×R1.50	-	-	-	-	Fig. 2
SCF47X-400-S2R2B007JH	70.0	-	38.0	4.5 ±1.5	-	-	80°	56.0	3.0×5.40×R1.50	-	-	-	-	Fig. 2
SCF47X-450-S2R3B006JH	70.0	-	38.0	4.5 ±1.5	-	-	80°	56.0	3.0×5.40×R1.50	-	-	-	-	Fig. 2
SCF47X-500-S2R4B005JH	70.0	-	38.0	4.5 ±1.5	-	-	80°	56.0	3.0×5.40×R1.50	-	-	-	-	Fig. 2
SCF56X-400-S2R4B009JH	80.0	-	45.0	4.5 ±1.5	-	-	80°	68.0	2.7×5.25×R1.35	-	-	-	-	Fig. 3
SCF56X-450-S2R0C008JH	80.0	-	45.0	4.5 ±1.5	-	-	80°	68.0	2.9×8.70×R1.45	-	-	-	-	Fig. 3
SCF56X-500-S2R1C007JH	80.0	-	45.0	4.5 ±1.5	-	-	80°	68.0	2.9×8.70×R1.45	-	-	-	-	Fig. 3
SCF56X-550-S2R2C006JH	80.0	-	45.0	4.5 ±1.5	-	-	80°	68.0	2.9×8.70×R1.45	-	-	-	-	Fig. 3
SCF56X-650-S2R3C005JH	80.0	-	45.0	4.5 ±1.5	-	-	80°	68.0	2.9×8.70×R1.45	-	-	-	-	Fig. 3
SCF56X-800-S2R4C004JH	80.0	-	45.0	4.5 ±1.5	-	-	80°	68.0	2.9×8.70×R1.45	-	-	-	-	Fig. 3

¹ Pin pitch listed above for reference only. Values not guaranteed.

Environmental Compliance

All KEMET AC line filters are RoHS Compliant.



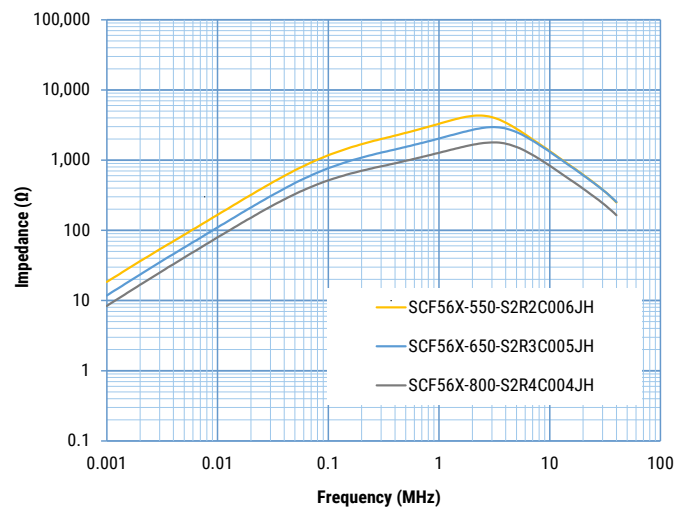
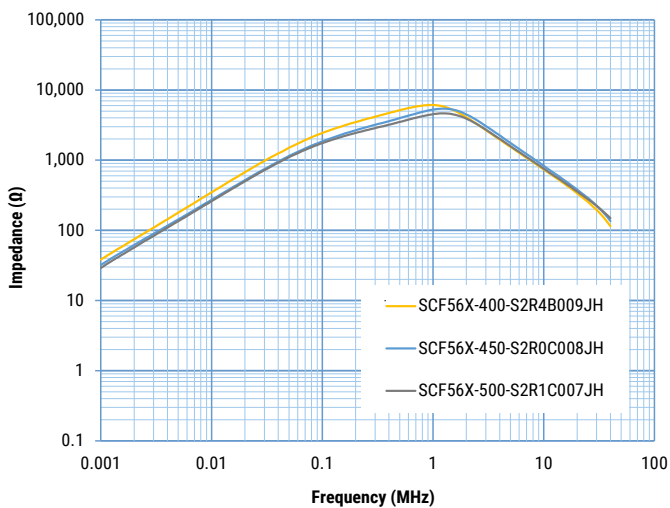
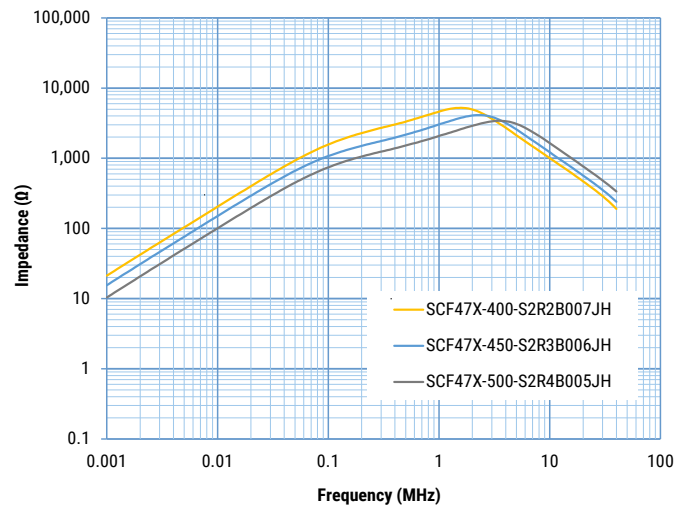
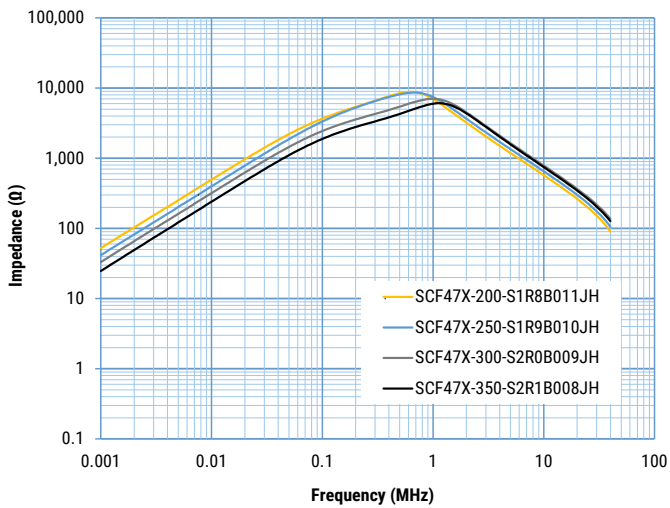
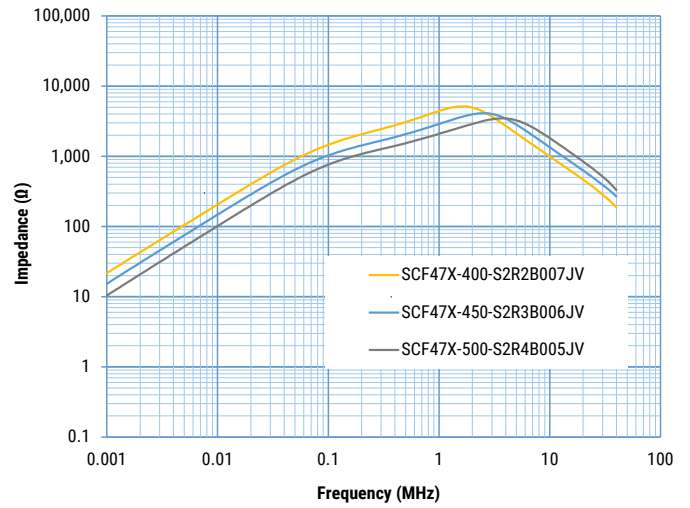
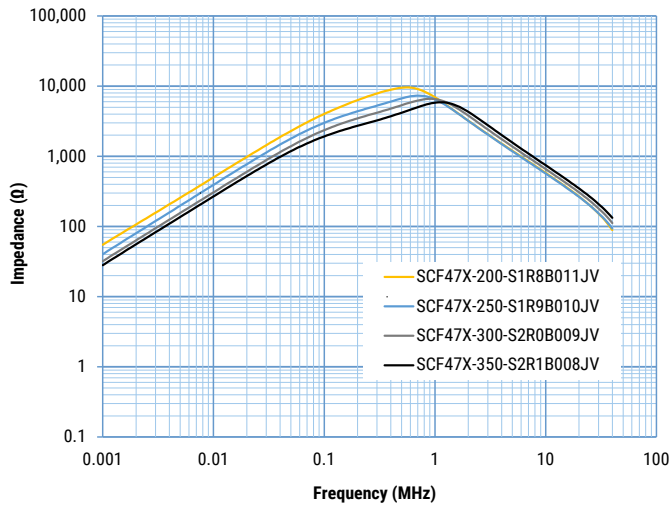
Performance Characteristics

Item	Performance Characteristics
Rated Voltage	600 VAC/VDC
Withstanding Voltage	2,400 VAC (2 seconds, between lines)
Insulation Resistance	> 100 MΩ at 500 VDC (between lines)
Rated Current Range	20 – 80 A
Rated Inductance Range	0.34 – 3.21 mH minimum
Inductance Measurement Condition	100 kHz
Thermal Class	130°C
Operating Temperature Range	-40°C to +130°C (include self temperature rise)

Table 1 – Ratings & Part Number Reference

Part Number	Rated Voltage AC/DC (V)	Rated Current AC (A)	Inductance (mH) Minimum	DC Resistance/ Line (mΩ) Maximum	Temperature Rise (K) Maximum	Wire Diameter (mm)	Weight (g) Approximate
SCF47X-200-S1R8B011JV	600	20	3.21	3.52	40	1.8 x 2 Parallel	235
SCF47X-250-S1R9B010JV	600	25	2.65	2.91	50	1.9 x 2 Parallel	237
SCF47X-300-S2R0B009JV	600	30	2.15	2.31	60	2.0 x 2 Parallel	234
SCF47X-350-S2R1B008JV	600	35	1.69	1.91	65	2.1 x 2 Parallel	237
SCF47X-400-S2R2B007JV	600	40	1.30	1.53	70	2.2 x 2 Parallel	237
SCF47X-450-S2R3B006JV	600	45	0.95	1.16	60	2.3 x 2 Parallel	229
SCF47X-500-S2R4B005JV	600	50	0.66	0.96	65	2.4 x 2 Parallel	216
SCF47X-200-S1R8B011JH	600	20	3.21	3.52	40	1.8 x 2 Parallel	237
SCF47X-250-S1R9B010JH	600	25	2.65	2.91	50	1.9 x 2 Parallel	233
SCF47X-300-S2R0B009JH	600	30	2.15	2.31	60	2.0 x 2 Parallel	239
SCF47X-350-S2R1B008JH	600	35	1.69	1.91	65	2.1 x 2 Parallel	236
SCF47X-400-S2R2B007JH	600	40	1.30	1.53	70	2.2 x 2 Parallel	234
SCF47X-450-S2R3B006JH	600	45	0.95	1.16	65	2.3 x 2 Parallel	232
SCF47X-500-S2R4B005JH	600	50	0.66	0.96	65	2.4 x 2 Parallel	216
SCF56X-400-S2R4B009JH	600	40	1.72	1.84	65	2.4 x 2 Parallel	407
SCF56X-450-S2R0C008JH	600	45	1.36	1.59	70	2.0 x 3 Parallel	370
SCF56X-500-S2R1C007JH	600	50	1.04	1.21	60	2.1 x 3 Parallel	384
SCF56X-550-S2R2C006JH	600	55	0.76	0.98	60	2.2 x 3 Parallel	361
SCF56X-650-S2R3C005JH	600	65	0.53	0.78	60	2.3 x 3 Parallel	352
SCF56X-800-S2R4C004JH	600	80	0.34	0.55	65	2.4 x 3 Parallel	338

Frequency Characteristics



Packaging

Type	Packaging Type	Pieces Per Box
SCF47X-JV	Tray	27
SCF47X-JH		
SCF56X-JH		18

Handling Precautions

Precautions for product storage

AC Line Filters should be stored in normal working environments. While the chokes themselves are quite robust in other environments, solderability will be degraded by exposure to high temperatures, high humidity, corrosive atmospheres, and long term storage.

KEMET recommends that maximum storage temperature not exceed 40°C and maximum storage humidity not exceed 70% relative humidity. Atmospheres should be free of chlorine and sulfur bearing compounds. Temperature fluctuations should be minimized to avoid condensation on the parts. Avoid storage near strong magnetic fields, as this might magnetize the product.

For optimized solderability, AC line filters stock should be used promptly and preferably within 6 months of receipt.

Product temperature rise values

The values listed for temperature rise are the result of self-heating in wires when the rated current (commercial frequency) is applied.

When using the product, check and evaluate the value of the core temperature rise under actual operating conditions.

KEMET Electronics Corporation Sales Offices

For a complete list of our global sales offices, please visit www.kemet.com/sales.

Disclaimer

YAGEO Corporation and its affiliates do not recommend the use of commercial, automotive, and/or COTS grade products for high reliability applications or manned space flight.

All product specifications, statements, information and data (collectively, the "Information") in this datasheet are subject to change. The customer is responsible for checking and verifying the extent to which the Information contained in this publication is applicable to an order at the time the order is placed. All Information given herein is believed to be accurate and reliable, but it is presented without guarantee, warranty, or responsibility of any kind, expressed or implied.

Statements of suitability for certain applications are based on KEMET Electronics Corporation's ("KEMET") knowledge of typical operating conditions for such applications, but are not intended to constitute – and KEMET specifically disclaims – any warranty concerning suitability for a specific customer application or use. The Information is intended for use only by customers who have the requisite experience and capability to determine the correct products for their application. Any technical advice inferred from this Information or otherwise provided by KEMET with reference to the use of KEMET's products is given gratis, and KEMET assumes no obligation or liability for the advice given or results obtained.

Although KEMET designs and manufactures its products to the most stringent quality and safety standards, given the current state of the art, isolated component failures may still occur. Accordingly, customer applications which require a high degree of reliability or safety should employ suitable designs or other safeguards (such as installation of protective circuitry or redundancies) in order to ensure that the failure of an electrical component does not result in a risk of personal injury or property damage.

Although all product-related warnings, cautions and notes must be observed, the customer should not assume that all safety measures are indicated or that other measures may not be required.

When providing KEMET products and technologies contained herein to other countries, the customer must abide by the procedures and provisions stipulated in all applicable export laws and regulations, including without limitation the International Traffic in Arms Regulations (ITAR), the US Export Administration Regulations (EAR) and the Japan Foreign Exchange and Foreign Trade Act.

KEMET is a registered trademark of KEMET Electronics Corporation.