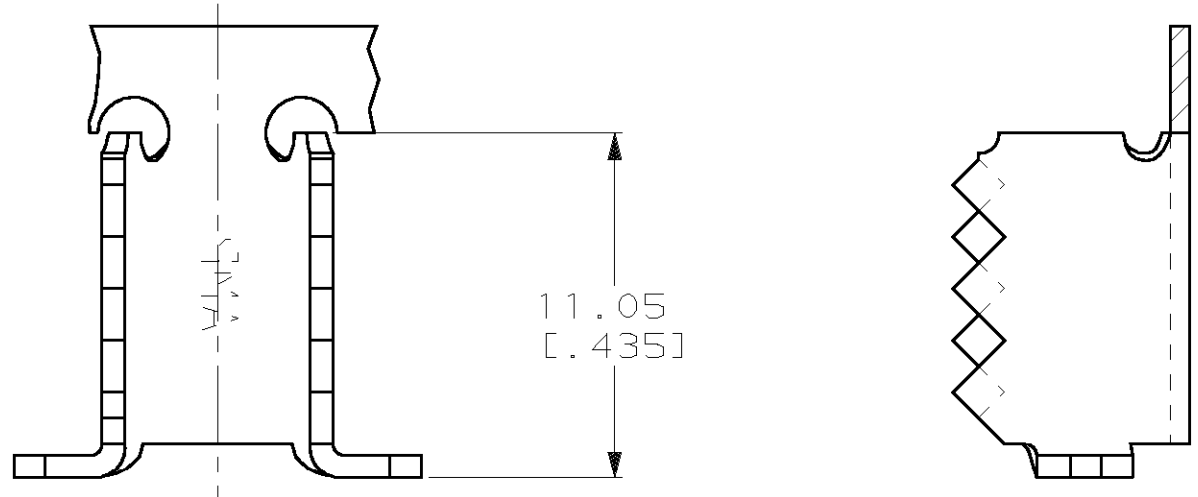
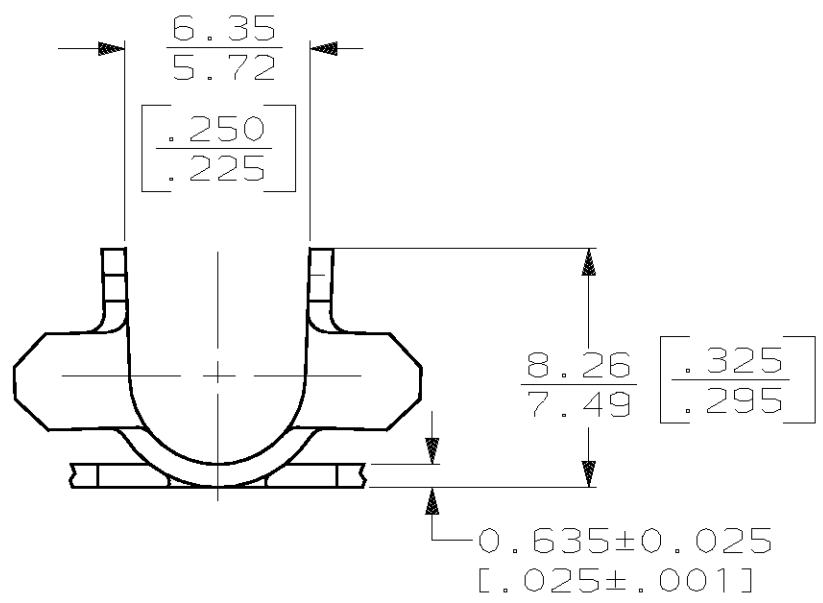


THIS DRAWING IS UNPUBLISHED. RELEASED FOR PUBLICATION, 19 .  
 © COPYRIGHT 19 BY AMP INCORPORATED. ALL INTERNATIONAL RIGHTS RESERVED.

LOC	DIST	P	F	REVISIONS				
AF	50			ZONE	LTR	DESCRIPTION	DATE	APPD
					K	REDRAWN PER AF-7278	2/19/91	PF/MF



1 CONTINUOUS STRIP ON REELS.



**METRIC**

DO NOT SCALE PRINT. UNLESS SPECIFIED DIMENSIONS IN mm [INCHES] TOLERANCES ON: 2 PLC DEC ± 0.25 [0.010] 3 PLC DEC ± - ANGLES ± -	DR 2/19/91 P FORTNEY
MATERIAL ALUMINUM	CHK 2/21/91 MS FEHER
FINISH -	APPD 2/21/91 D SCHWENK
	APPD 2/25/91 R WEAVILL
	PRODUCT SPEC -
	APPLICATION SPEC -
	WEIGHT -

4.57-5.84 DIA [.180-.230]	42412-5
INSULATION RANGE	PART NO
<b>AMP</b> AMP Incorporated Harrisburg, PA 17105-3608	
NAME STRAIN RELIEF, WING TYPE	
SIZE B	CAGE CODE 00779
SCALE 4:1	DRAWING NO 42412
	SHEET 1 OF 1