

## Flat suction pad (round)

SUF 1.5 NBR-ESD-55 M3-AG

Part no...:10.01.01.14211

<https://www.schmalz.com/10.01.01.14211>

Home > Vacuum Technology for Automation > Vacuum Components > Vacuum Suction Cups > Flat Suction Cups (Round) > Flat Suction Cups SUF > SUF 1.5 NBR-ESD-55 M3-AG

### Flat suction cup (round) for process safe handling of smooth or slightly rough surfaces



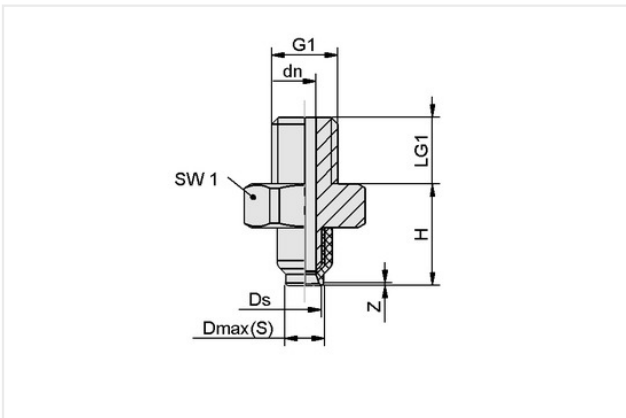
Size: 1.5

Suction cup material: Nitrile rubber NBR-ESD

Material hardness [Shore A]: 55 Shore A

Vacuum connection: M3-M

### Design Data



| Attribute  | Value   |
|------------|---------|
| Dmax(S)    | 1.70 mm |
| Ds         | 1.50 mm |
| dn         | 1 mm    |
| G1         | M3-M    |
| H          | 4.60 mm |
| LG1        | 3 mm    |
| SW1        | 5 mm    |
| Z (Stroke) | 0.10 mm |

### Technical Data

| Attribute                   | Value                  |
|-----------------------------|------------------------|
| Suction force (-600mbar)    | 0.08 N                 |
| Pull-off force              | 0.08 N                 |
| Volume                      | 0.00 cm <sup>3</sup>   |
| Curve radius (min) (convex) | 2 mm                   |
| Hose diameter (empf.) d     | 2 mm                   |
| Size                        | 1.50                   |
| Suction cup material        | Nitrile rubber NBR-ESD |
| Material hardness [Shore A] | 55 Shore A             |

### Contact Schmalz

Schmalz Inc. | 5850 Oak Forest Drive, Raleigh, NC 27616, United States | +1 (919) 713-0880 | [schmalz.us@schmalz.com](mailto:schmalz.us@schmalz.com)

## Flat suction pad (round)

SUF 1.5 NBR-ESD-55 M3-AG

Part no...:10.01.01.14211

<https://www.schmalz.com/10.01.01.14211>

|                 |        |
|-----------------|--------|
| Weight          | 0.20 g |
| Product family  | SUF    |
| Number of folds | 0      |

Note: Suction force: The specified suction forces are theoretical values at a vacuum of -0.6 bar and with a dry, smooth and flat workpiece surface - they do not include a safety factor  
Hose diameter: The recommended hose diameter refers to a hose length of approx. 2 m

### Spare parts



#### SC 010 M3-AG

Part no...:10.01.06.04249

Connection geometry: 010

Vacuum connection: M3-M

Fitting length: 2 mm

Nominal diameter dn: 1 mm



#### SUF 1.5 NBR-ESD-55 SC010

Part no...:10.01.01.14016

Size: 1.5

Suction cup material: Nitrile rubber NBR-ESD

Material hardness [Shore A]: 55 Shore A