

# **CompactFlash™ Card**

## **INDUSTRIAL GRADE**

### **W7CFxxxA-H4 / W8CFxxxA-H4**

### **Series**

**INFORMATION IN THIS DOCUMENT IS PROVIDED IN RELATION TO  
WINTEC INDUSTRIES PRODUCTS, AND IS SUBJECT TO CHANGE  
WITHOUT NOTICE.**

**NOTHING IN THIS DOCUMENT SHALL BE CONTRUED AS GRANTING  
ANY LICENSE, EXPRESS OR IMPLIED.**

**ALL INFORMATION IN THIS DOCUMENT IS PROVIDED ON AN “AS-IS”  
BASIS WITHOUT GUARANTEE OR WARRANTY OF ANY KIND.**

- Please contact your nearest Wintec representative for the latest updates or additional product information.

## Table of Contents

<b>Revision History</b> .....	3
<b>FEATURES</b> .....	4
<b>DESCRIPTION</b> .....	5
1.0 General Product Specification .....	6
2.0 Card Function Explanation.....	15
2.1 Attribute Access Specifications.....	15
2.2 Task File Register Access Specifications.....	16
2.3 Configuration Register Specification .....	18
2.4 Task File Register Specification .....	20
2.5 ATA Command Specification .....	25
3.0 Electrical Specification .....	31
3.1 General.....	31
3.2 DC Characteristics .....	34
3.3 AC Characteristics.....	34
3.4 Reset Characteristics (Memory Card Mode & I/O Card Mode) .....	45
3.5 User Notes .....	46
4.0 Physical Specifications .....	47
4.1 Labelling and Marking.....	48
5.0 Ordering Information .....	49

## Revision History

Revision	Month	Year	History
1.00	September	2009	Initial Release (Preliminary)
1.01	October	2009	Add firmware revision 090904 as option
1.02	January	2010	Add firmware revision 091110a as option
1.03	February	2010	Add Dual ID mode as option
1.04	October	2011	Update Ordering Guide Remove 128MB option
1.05	March	2012	Added Support for Micron Flash
1.06	July	2012	Updated Ordering Guide
1.07	May	2013	Corrected Typo's

## FEATURES

### GENERAL

- Density up to 32GB
- 32-bit RISC/DSP controller
- Large internal SRAM provides firmware flexibility
- Dual voltage support at 3.3V / 5V
- Internal voltage detector
- 20 Kbyte internal Boot ROM and 32 Kbyte internal SRAM
- Specialized for high-reliability
- RoHS 6/6 compliant

### RELIABILITY

- > 2,000,000 Program/Erase Cycles
- Industrial Wear Leveling
  - Includes Static Block Management
- Spares & Bad Block Management
- On-Board ECC capable of correcting 4 random bytes per 512 bytes sector with additional CRC for dynamic error checking
- High Environmental Tolerance
- 10-Year Data Retention
- Unlimited Reads

### COMPATIBILITY

- Fully compliance to CompactFlash™ 3.0 and compatible to 4.1 specifications
- ATA-6 standard compatible in True-IDE mode
- PCMCIA specification 2.1
- Fast ATA supporting PIO mode 6, MDMA mode 4, UDMA mode 4 in True-IDE mode
- Four integrated 8Kbyte Sector Buffers and 256 Byte PCMCIA Attribute Memory

### PERFORMANCE

- True IDE Mode Capable
  - Host data transfer in PIO mode 6 or MDMA mode 4 up to 25 MByte/second
  - Host data transfer in UDMA mode 4 up to 66 MByte/second
- High Performance
  - Two Direct Flash Access (DFA) Channels including two sector buffers support interleaving operation
- Low Power Consumption:
  - Maximum operation current is 130 mA (32 GB)
  - Sleep mode current < 4 mA. (32 GB)



Wintec Type I Compact Flash  
(Industrial Grade H4 Series)

## **DESCRIPTION**

Wintec's Compact Flash card is based on industrial leading Hyperstone F4 controller chip, which is a 32-bit RISC processor with instruction set extension optimized for Flash handling. The superior wear leveling done by the controller chip involves all physical blocks including the ones containing static data to meet the most demanding requirements from users in a data traffic intensive environment.

The card contains a 50-pin connector consisting of two rows of 25 female contacts each on 50 mils (1.27mm) centers. The Industrial Grade CompactFlash™ Memory Cards are constructed with Samsung or Micron single-level-cell (SLC) NAND flash memory devices. It employs a variety of sophisticated functions, such as the Reed-Solomon error correction code which is capable of correcting up to 4 symbols in a 512 bytes sector with additional CRC for dynamic error checking. The wear-leveling methods ensure even wear of flash blocks across the entire card capacity. With background operations to track erase counts, the card prioritizes new writes to blocks with lower wear, and relocates static data to blocks with higher wear. Bad-block Management routines replace worn blocks with spare blocks reserved by the controller on card initialization. All Flash management utilities allow for maximum levels of data reliability and card endurance for prolong life cycle.

## 1.0 General Product Specification

For all the following specifications, values are defined at ambient temperature and nominal supply voltage unless otherwise stated.

**Table 1: Performance Specifications**

Parameter	Performance	
	PIO Mode 6	UDMA Mode (Mode 4)
Burst Transfer Rate To/From Host	25 MB/s	66 MB/s
Burst Transfer Rate Internally To/From Flash	80 MB/s	80 MB/s
Sustained Sequential Read (Typical)	18 MB/s	42 MB/s
Sustained Sequential Write (Typical)	7.5 MB/s	20 MB/s
Random Read (Typical)	TBD	38MB/s
Random Write (Typical)	TBD	8MB/s

**Table 2: Card Endurance**

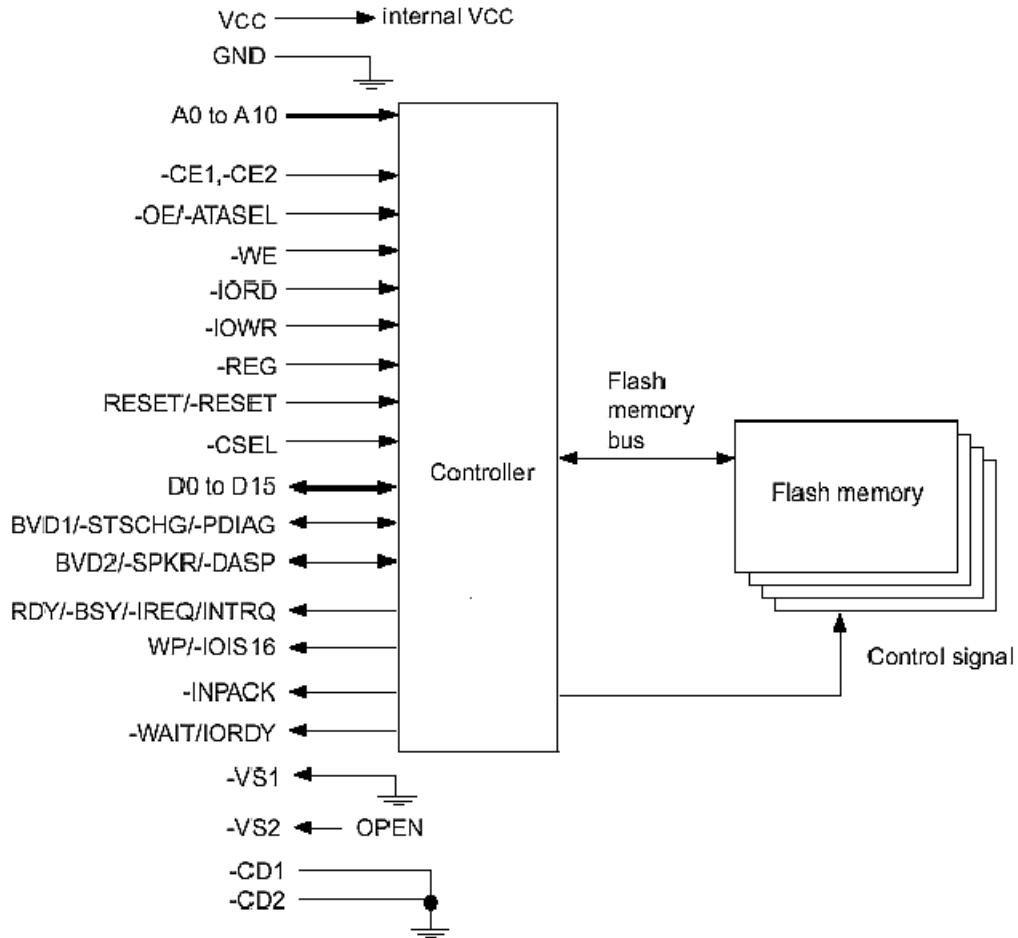
Parameter	Spec
Program/Erase Cycles	> 2,000,000 Cycles
Read Cycles	Unlimited
Data Retention	10 Years (Min.)
MTBF	> 4,000,000 Hours

**Table 3: Card Data Reliability**

Parameter	Spec
Non-Recoverable Errors	< 1 in 10 <sup>14</sup> Bytes Read
Erroneous Correction	< 1 in 10 <sup>20</sup> Bytes Read
ECC Correctability	4 Bytes/Sector

**Table 4: Environmental Specifications**

Parameters		Operating	Non-Operating
Temperature	Standard Temp.	0°C to 70°C	-55°C to 95°C
	Industrial Temp.	-40°C to 85°C	-55°C to 95°C
Humidity		8% to 95% (Non-Condensing)	8% to 95% (Non-Condensing)
Vibration		16.3 G rms	N/A
Altitude		80,000 ft. (Max.)	
Shock		2,000 G (Max.)	
Acoustic		0 db	



**Figure 1: Card Block Diagram**

**NOTE:** -CE1, -CE2, -OE, -WE -IORD, -IOWR, -REG, -RESET, -CSEL, -PDIAG, -DASP pins are pulled up in card. -CE1, -CE2, -OE, -WE, -IORD, -IOWR, -REG pins are Schmitt trigger type input buffer.

**Table 5: Card Pin Assignment**

PC Card Memory Mode			PC Card I/O Mode			True IDE Mode		
Pin	Signal	Type	Pin	Signal	Type	Pin	Signal	Type
1	GND	Ground	1	GND	Ground	1	GND	Ground
2	D03	I/O	2	D03	I/O	2	D03	I/O
3	D04	I/O	3	D04	I/O	3	D04	I/O
4	D05	I/O	4	D05	I/O	4	D05	I/O
5	D06	I/O	5	D06	I/O	5	D06	I/O
6	D07	I/O	6	D07	I/O	6	D07	I/O
7	-CE1	I	7	-CE1	I	7	-CS0	I
8	A10	I	8	A10	I	8	A10 <sup>2</sup>	I
9	-OE	I	9	-OE	I	9	-ATA SEL	I
10	A09	I	10	A09	I	10	A09 <sup>2</sup>	I
11	A08	I	11	A08	I	11	A08 <sup>2</sup>	I
12	A07	I	12	A07	I	12	A07 <sup>2</sup>	I
13	VCC	Power	13	VCC	Power	13	VCC	Power
14	A06	I	14	A06	I	14	A06 <sup>2</sup>	I
15	A05	I	15	A05	I	15	A05 <sup>2</sup>	I
16	A04	I	16	A04	I	16	A04 <sup>2</sup>	I
17	A03	I	17	A03	I	17	A03 <sup>2</sup>	I
18	A02	I	18	A02	I	18	A02	I
19	A01	I	19	A01	I	19	A01	I
20	A00	I	20	A00	I	20	A00	I
21	D00	I/O	21	D00	I/O	21	D00	I/O
22	D01	I/O	22	D01	I/O	22	D01	I/O
23	D02	I/O	23	D02	I/O	23	D02	I/O
24	WP	O	24	-IOIS16	O	24	-IOCS16	O
25	-CD2	O	25	-CD2	O	25	-CD2	O
26	-CD1	O	26	-CD1	O	26	-CD1	O
27	D11 <sup>1</sup>	I/O	27	D11 <sup>1</sup>	I/O	27	D11 <sup>1</sup>	I/O
28	D12 <sup>1</sup>	I/O	28	D12 <sup>1</sup>	I/O	28	D12 <sup>1</sup>	I/O
29	D13 <sup>1</sup>	I/O	29	D13 <sup>1</sup>	I/O	29	D13 <sup>1</sup>	I/O
30	D14 <sup>1</sup>	I/O	30	D14 <sup>1</sup>	I/O	30	D14 <sup>1</sup>	I/O
31	D15 <sup>1</sup>	I/O	31	D15 <sup>1</sup>	I/O	31	D15 <sup>1</sup>	I/O
32	-CE2 <sup>1</sup>	I	32	-CE2 <sup>1</sup>	I	32	-CS1 <sup>1</sup>	I
33	-VS1	O	33	-VS1	O	33	-VS1	O
34	-IORD	I	34	-IORD	I	34	-IORD	I
35	-IOWR	I	35	-IOWR	I	35	-IOWR	I
36	-WE	I	36	-WE	I	36	-WE <sup>3</sup>	I
37	RDY/BSY	O	37	IREQ	O	37	INTRQ	O
38	VCC	Power	38	VCC	Power	38	VCC	Power
39	-CSEL	I	39	-CSEL	I	39	-CSEL	I
40	-VS2	O	40	-VS2	O	40	-VS2	O
41	RESET	I	41	RESET	I	41	RESET	I
42	-WAIT	O	42	-WAIT	O	42	IORDY	O
43	-INPACK	O	43	-INPACK	O	43	DMARQ	O
44	-REG	I	44	-REG	I	44	-DMACK	I
45	BVD2	I/O	45	-SPKR	I/O	45	-DASP	I/O
46	BVD1	I/O	46	-STSCHG	I/O	46	-PDIAG	I/O
47	D08 <sup>1</sup>	I/O	47	D08 <sup>1</sup>	I/O	47	D08 <sup>1</sup>	I/O
48	D09 <sup>1</sup>	I/O	48	D09 <sup>1</sup>	I/O	48	D09 <sup>1</sup>	I/O
49	D10 <sup>1</sup>	I/O	49	D10 <sup>1</sup>	I/O	49	D10 <sup>1</sup>	I/O
50	GND	Ground	50	GND	Ground	50	GND	Ground

**NOTE:**

1. These signals are required only for 16-bit access and not required when installed in 8-bit systems. For lowest power dissipation, leave these signals open.
2. Should be grounded by the host.



3. Should be tied to VCC by the host.

**Table 6: Card Pin Explanation**

Signal Name	Type	Pin #	Description
A10 - A0 (PC Card Memory Mode)	I	8, 10, 11, 12, 14 -20	These address lines along with the –REG signal are used to select the following: The I/O port address registers within the Compact Flash Card, the memory mapped port address registers within the card, a byte in the card's information structure and its configuration control and status registers.
A10 - A0 (PC Card I/O Mode)			This signal is the same as the PC Card Memory Mode signal.
A2 - A0 (True IDE Mode) A10 - A3 (True IDE Mode)		18, 19, 20	In True IDE Mode only A [2:0] is used to select the one of eight registers in the Task File. In True IDE Mode these remaining address lines should be grounded by the host.
BVD1 (PC Card Memory Mode)	I/O	46	This signal is asserted high as the BVD1 signal since a battery is not used with this product.
-STSCHG (PC Card I/O Mode) Status Changed			This signal is asserted low to alert the host to changes in the RDY/ -BSY and Write Protect states, while the I/O interface is configured. Its use is controlled by the Card Config and Status Register.
-PDIAG (True IDE Mode)			In the True IDE Mode, this input/output is the Pass Diagnostic signal in the Master/Slave handshake protocol.
BVD2 (PC Card Memory Mode)	I/O	45	This output line is always driven to a high state in Memory Mode since a battery is not required for this product.
-SPKR (PC Card I/O Mode)			This output line is always driven to a high state in I/O Mode since this product does not support the audio function.
-DASP (True IDE Mode)			In the True IDE Mode, this input/output is the Disk Active/Slave Present signal in the Master/Slave handshake protocol.
-CD1, -CD2 (PC Card Memory Mode)	O	25, 26	These Card Detect pins are connected to ground on the Compact Flash Card. They are used by the host to determine if the card is fully inserted into its socket.
-CD1, -CD2 (PC Card I/O Mode)			This signal is the same for all modes.
-CD1, -CD2 (True IDE Mode)			This signal is the same for all modes.

**Table 6: Card Pin Explanation Cont.**

Signal Name	Type	Pin #	Description
-CE1, -CE2 (PC Card Memory Mode) Card Enable	I	7, 32	These input signals are used both to select the card and to indicate to the card whether a byte or a word operation is being performed. -CE2 always accesses the odd byte of the word. -CE1 accesses the even byte or the Odd byte of the word depending on A0 and -CE2. A multiplexing scheme based on A0, -CE1, -CE2 allows 8 bit hosts to access all data on D0 -D7.
-CE1, -CE2 (PC Card I/O Mode) Card Enable			This signal is the same as the PC Card Memory Mode signal.
-CS0, -CS1 (True IDE Mode)			In the True IDE Mode -CS0 is the chip select for the task file registers while -CS1 is used to select the Alternate Status Register and the Device Control Register.
-CSEL (PC Card Memory Mode)	I	39	This signal is not used for this mode.
-CSEL (PC Card I/O Mode)			This signal is not used for this mode.
-CSEL (True IDE Mode)			This internally pulled up signal is used to configure this device as a Master or a Slave when configured in the True IDE Mode. When this pin is grounded, this device is configured as a Master. When this pin is open, this device is configured as a Slave.
D15 - D00 (PC Card Memory Mode)	I/O	2-6, 21, 22, 23, 27-31, 47, 48, 49	These lines carry the Data, Commands and Status information between the host and the controller. D00 is the LSB of the Even Byte of the Word. D08 is the LSB of the Odd Byte of the Word.
D15 - D00 (PC Card I/O Mode)			These signals are the same as the PC Card Memory Mode signal.
D15 - D00 (True IDE Mode)			In True IDE Mode all Task File operations occur in byte mode on the low order bus D00 -D07 while all data transfers are 16 bits using D00 -D15.
GND (PC Card Memory Mode)	-	1, 50	Ground.
GND (PC Card I/O Mode)			This signal is the same for all modes.
GND (True IDE Mode)			This signal is the same for all modes.

-INPACK (PC Card Memory Mode)			This signal is not used in this mode.
-INPACK (PC Card I/O Mode) Input Acknowledge			The Input Acknowledge signal is asserted by the Compact Flash Card when the card is selected and responding to an I/O read cycle at the address that is on the address bus. This signal is used by the host to control the enable of any input data buffers between the card and the CPU.
DMARQ (True IDE Mode)	O	43	<p>This signal is a DMA Request that is used for DMA data transfers between host and device. It shall be asserted by the device when it is ready to transfer data to or from the host. For Multiword DMA transfers, the direction of data transfer is controlled by DIOR- and DIOW-. This signal is used in a handshake manner with DMACK- before negating DMAREQ, and reasserting DMAREQ if there is more data to transfer.</p> <p>DMAREQ shall not be driven when the device is not selected.</p> <p>While a DMA operation is in progress, -CS0 and -CS1 shall be held negated and the width of the transfers shall be 16 bits.</p> <p>If there is no hardware support for DMA mode in the host, this output signal is not used and should not be connected at the host .In this case, the BIOS must report that DMA mode is not supported by the host so that the device driver will not attempt DMA mode.</p> <p>A host that does not support DMA mode and implements both PCMCIA and true-IDE modes of operation need not alter the PCMICIA mode connections while in True-IED mode as long as this does not prevent proper operation in any mode.</p>
-IORD (PC Card Memory Mode)			This signal is not used in this mode.
-IORD (PC Card I/O Mode)	I	34	This is an I/O Read strobe generated by the host. This signal gates I/O data onto the bus from the Compact Flash Card when the card is configured to use the I/O interface.
-IORD (True IDE Mode)			In True IDE Mode, this signal has the same function as in PC Card I/O Mode.

**Table 6: Card Pin Explanation Cont.**

Signal Name	Type	Pin #	Description
-IOWR (PC Card Memory Mode)	I	35	This signal is not used in this mode.
- IOWR (PC Card I/O Mode)			The I/O Write strobe pulse is used to clock I/O data on the Card Data bus into the Compact Flash controller registers when the card is configured to use the I/O interface. The clocking will occur on the negative to positive edge of the signal (trailing edge).
- IOWR (True IDE Mode)			In True IDE Mode, this signal has the same function as in PC Card I/O Mode.
-OE (PC Card Memory Mode)	I	9	This is an Output Enable strobe generated by the host interface. It is used to read data from the Compact Flash Card in Memory Mode and to read the CIS and configuration registers.
-OE (PC Card I/O Mode)			In PC Card I/O Mode, this signal is used to read the CIS and configuration registers.
-ATA SEL (True IDE Mode)			To enable True IDE Mode this input should be grounded by the host.
RDY/-BSY (PC Card Memory Mode)	O	37	In Memory Mode this signal is set high when the Compact Flash Card is ready to accept a new data transfer operation and held low when the card is busy. The host memory card socket must provide a pull-up resistor.
- IREQ (PC Card I/O Mode)			At power up and at Reset, the RDY/-BSY signal is held low (busy) until the Compact Flash Card has completed its power up or reset function. The RDY/-BSY signal is held high (disabled from being busy) whenever the following condition is true: The Compact Flash Card has been powered up with +RESET continuously disconnected or asserted.
-INTRQ (True IDE Mode)			I/O Operation – After the Compact Flash Card has been configured for I/O operation, this signal is used as – Interrupt Request. This line is strobed low to generate a pulse mode interrupt or held low for a level mode interrupt.
			In True IDE Mode, this signal is the active high Interrupt Request to the host.

**Table 6: Card Pin Explanation Cont.**

Signal Name	Type	Pin #	Description
-REG (PC Card Memory Mode) Attribute Memory Select	I	44	This signal is used during Memory Cycles to distinguish between Common Memory and Register (Attribute) Memory accesses. High for Common Memory, Low for Attribute Memory.
-REG (PC Card I/O Mode)			The signal must also be active (low) during I/O Cycles when the I/O address is on the Bus.
-DMACK (True IDE Mode)			<p>This is a DMA Acknowledge signal that is asserted by the host in response to DMAREQ to initiate DMA transfers.</p> <p>While DMA operations are not active, the card shall ignore the –DMACK signal, including a floating condition.</p> <p>If DAM operation is not supported by a True-IDE Mode only host, this signal should be driven high or connected to VCC by the host.</p> <p>A host that does not support DMA mode and implements both PCMCIA and True-IDE modes of operation need not alter the PCMCIA mode connections while in True-IDE mode as long as this does not prevent proper operation all modes.</p>
RESET (PC Card Memory Mode)	I	41	When the pin is high, this signal resets the Compact Flash Card. The card is Reset only at power up if this pin is left high or open from power-up. The card is also reset when the Soft Reset bit in the Card Configuration Option Register is set.
RESET (PC Card I/O Mode)			This signal is the same as the PC Card Memory Mode signal.
-RESET (True IDE Mode)			In the True IDE Mode this input pin is the active low hardware reset from the host.
VCC (PC Card Memory Mode)	-	13, 38	+5, +3.3V power.
VCC (PC Card I/O Mode)			This signal is the same for all modes.
VCC (True IDE Mode)			This signal is the same for all modes.
-VS1, -VS2 (PC Card Memory Mode)	O	33, 40	Voltage Sense Signals. –VS1 is grounded so that the Compact Flash Card CIS can be read at 3.3 volts and –VS2 is open and reserved by PCMCIA for a secondary voltage.
-VS1, -VS2 (PC Card I/O Mode)			This signal is the same for all modes.
-VS1, -VS2 (True IDE Mode)			This signal is the same for all modes.

**Table 6: Card Pin Explanation Cont.**

Signal Name	Type	Pin #	Description
-WAIT (PC Card Memory Mode)	O	42	This signal is not asserted for all modes.
-WAIT (PC Card I/O Mode)			This signal is not asserted for all modes.
-IORDY (True IDE Mode)			This signal is not asserted for all modes.
-WE (PC Card Memory Mode)	I	36	This is a signal driven by the host and used for strobing memory write data to the registers of the Compact Flash Card when the card is configured in the memory interface mode. It is also used for writing the configuration registers.
-WE (PC Card I/O Mode)			In PC Card I/O Mode, this signal is used for writing the configuration registers.
-WE (True IDE Mode)			In True IDE Mode this input signal is not used and should be connected to VCC by the host.
-WP (PC Card Memory Mode)	O	24	Memory Mode – The Compact Flash Card does not have a write protect switch. This signal is held low after the completion of the reset initialization sequence.
-IOIS16 (PC Card I/O Mode)			I/O Operation – When the Compact Flash Card is configured for I/O Operation, Pin 24 is used for the –I/O Selected is 16 Bit Port (-IOIS16) function. A Low signal indicates that a 16 bit or odd byte only operation can be performed at the addressed port.
-IOCS16 (True IDE Mode)			In True IDE Mode this output signal is asserted low when this device is expecting a word data transfer cycle.

## 2.0 Card Function Explanation

### 2.1 Attribute Access Specifications

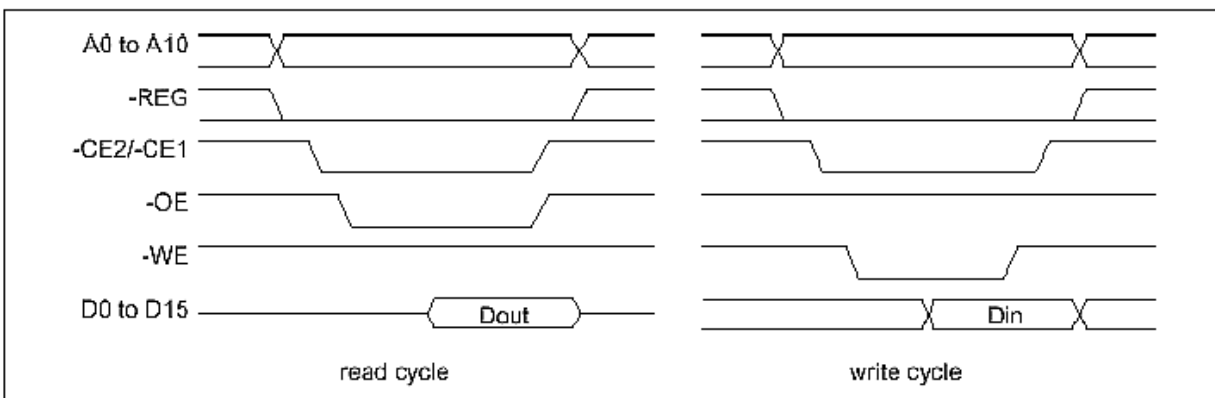
When CIS-ROM region or Configuration register region is accessed, read and write operations are executed under the condition of  $\text{-REG} = \text{"L"}$  as follows. That region can be accessed by Byte/Word/Odd-byte modes, which are defined by PC card standard specifications.

**Table 7: Attribute Read Access Mode**

Mode	-REG	-CE2	-CE1	A0	-OE	-WE	D8 -D15	D0 -D7
Standby mode		H					High-Z	High-Z
Byte access (8-bit)	L	H	L	L	L	H	High-Z	Even byte
	L	H	L	H	L	H	High-Z	Invalid
Word access (16-bit)	L	L	L		L	H	Invalid	Even byte
Odd byte access (8-bit)	L	L	H		L	H	Invalid	High-Z

**Table 8: Attribute Write Access Mode**

Mode	-REG	-CE2	-CE1	A0	-OE	-WE	D8 -D15	D0 -D7
Standby mode		H					Don't care	Don't care
Byte access (8-bit)	L	H	L	L	H	L	Don't care	Even byte
	L	H	L	H	H	L	Don't care	Don't care
Word access (16-bit)	L	L	L		H	L	Don't care	Even byte
Odd byte access (8-bit)	L	L	H		H	L	Don't care	Don't care



**Figure 2: Attribute Access Timing Example**

## 2.2 Task File Register Access Specifications

There are two cases of Task File register mapping, one is mapped I/O address area, and the other is mapped Memory address area. Each case of Task File register read and write operations are executed under the condition as follows. That area can be accessed by Byte/Word/Odd Byte modes, which are defined by PC card standard specifications.

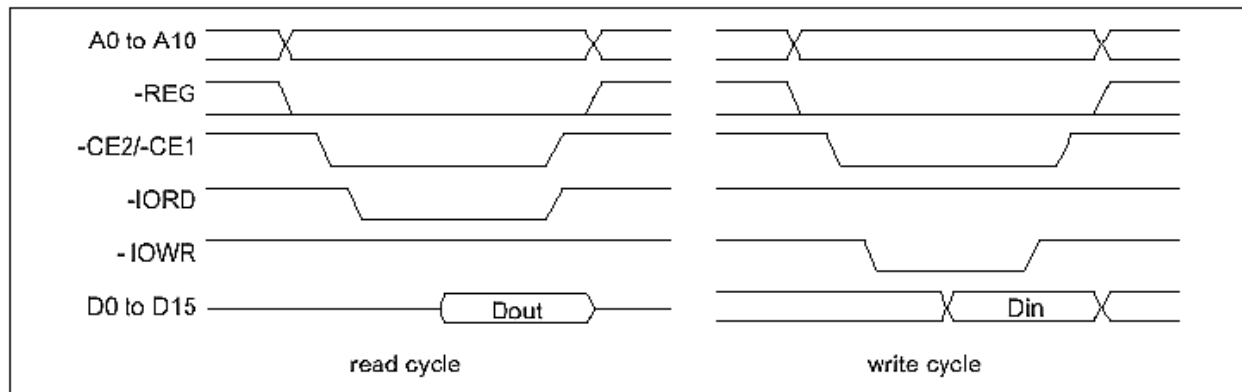
### 2.2.1 I/O Address Map

**Table 9: Task File Register Read Access Mode (i)**

Mode	-REG	-CE2	-CE1	A0	-IORD	-IOWR	-OE	-WE	D8 -D15	D0 -D7
Standby mode		H							High-Z	High-Z
Byte access (8-bit)	L	H	L	L	L	H	H	H	High-Z	Even byte
	L	H	L	H	L	H	H	H	High-Z	Odd byte
Word access (16-bit)	L	L	L		L	H	H	H	Odd byte	Even byte
Odd byte access (8-bit)	L	L	H		L	H	H	H	Odd byte	High-Z

**Table 10: Task File Register Write Access Mode (i)**

Mode	-REG	-CE2	-CE1	A0	-IORD	-IOWR	-OE	-WE	D8 -D15	D0 -D7
Standby mode		H							Don't care	Don't care
Byte access (8-bit)	L	H	L	L	H	L	H	H	Don't care	Even byte
	L	H	L	H	H	L	H	H	Don't care	Odd byte
Word access (16-bit)	L	L	L		H	L	H	H	Odd byte	Even byte
Odd byte access (8-bit)	L	L	H		H	L	H	H	Odd byte	Don't care



**Figure 3: Task File Register Access Timing Example (i)**

### 2.2.2 Memory Address Map

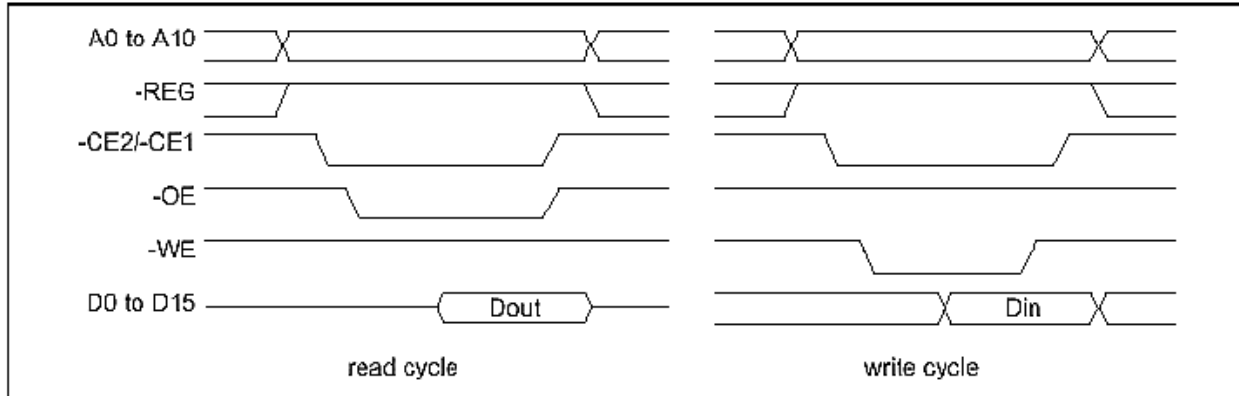
**Table 11: Task File Register Read Access Mode (ii)**

Mode	-REG	-CE2	-CE1	A0	-IORD	-IOWR	-OE	-WE	D8 -D15	D0 -D7
Standby mode		H							High-Z	High-Z
Byte access (8-bit)	H	H	L	L	L	H	H	H	High-Z	Even byte
	H	H	L	H	L	H	H	H	High-Z	Odd byte
Word access (16-bit)	H	L	L		L	H	H	H	Odd byte	Even byte
Odd byte access (8-bit)	H	L	H		L	H	H	H	Odd byte	High-Z



**Table 12: Task File Register Write Access Mode (ii)**

Mode	-REG	-CE2	-CE1	A0	-IORD	-IOWR	-OE	-WE	D8 -D15	D0 -D7
Standby mode		H							Don't care	Don't care
Byte access (8-bit)	H	H	L	L	H	L	H	H	Don't care	Even byte
	H	H	L	H	H	L	H	H	Don't care	Odd byte
Word access (16-bit)	H	L	L		H	L	H	H	Odd byte	Even byte
Odd byte access (8-bit)	H	L	H		H	L	H	H	Odd byte	Don't care



**Figure 4: Task File Register Access Timing Example (ii)**

### 2.2.3 True IDE Mode

The card can be configured in a True IDE Mode of operation. This card is configured in this mode only when the –OE input signal is asserted GND by the host. In this True IDE Mode Attribute Registers are not accessible from the host. Only I/O operation to the task files and data registers are allowed. If this card is configured during power on sequence, data registers are accessed in word (16-bit). The card permits 8-bit accesses if the user issues a Set Feature Command to put the device in 8-bit mode.

**Table 13: True IDE Mode Read I/O Function**

Mode	-CE2	-CE1	A0 -A2	-IORD	-IOWR	D8 -D15	D0 -D7
Invalid mode	L	L				High-Z	High-Z
Standby mode	H	H				High-Z	High-Z
Data register access	H	L	0	L	H	Odd byte	Even byte
Alternate status access	L	H	6H	L	H	High-Z	Status out
Other task file access	H	L	1-7H	L	H	High-Z	Data

**Table 14: True IDE Mode Write I/O Function**

Mode	-CE2	-CE1	A0 -A2	-IORD	-IOWR	D8 -D15	D0 -D7
Invalid mode	L	L				Don't care	Don't care
Standby mode	H	H				Don't care	Don't care
Data register access	H	L	0	L	H	Odd byte	Even byte
Alternate status access	L	H	6H	L	H	Don't care	Control in
Other task file access	H	L	1-7H	L	H	Don't care	Data

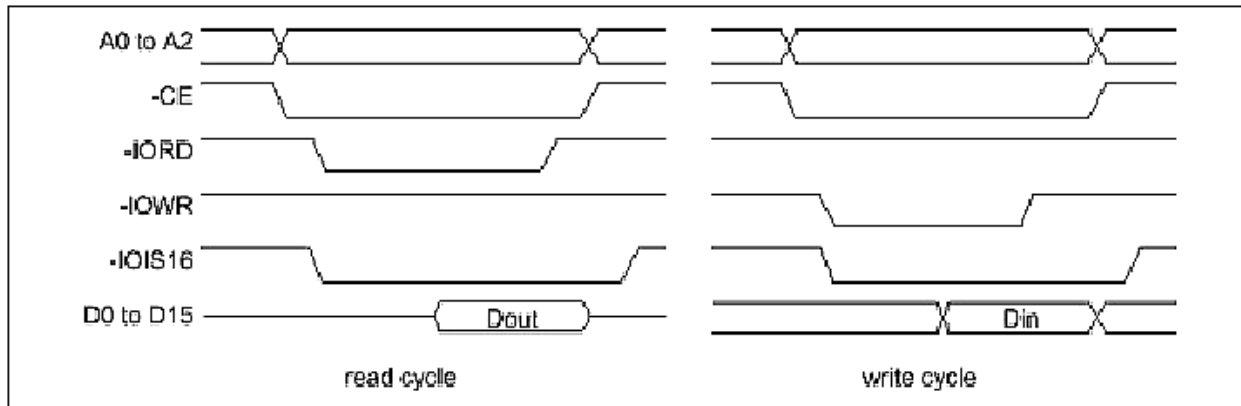


Figure 5: True IDE Mode I/O Access Timing Example

## 2.3 Configuration Register Specification

This card supports four configuration registers for the purpose of the configuration and observation of this card. These registers can be used in memory card mode and I/O card mode. In True IDE mode, these registers cannot be used.

### 2.3.1 Configuration Option register (Address 200H)

This register is used for setting the card configuration status and for issuing soft reset to the card.

bit 7	bit 6	bit 5	bit 4	bit 3	bit 2	bit 1	bit 0
SRESET	LevlREQ	INDEX					

NOTE:

- Initial value: 00H

Table 15: Option Register Function

Name	R/W	Function
SRESET (HOST->)	R/W	Setting this bit to “1”, places the card in the reset state (Card Hard Reset). This operation is equal to Hard Reset, except this bit is not cleared. Then this bit set to “0”, places the card in the reset state of Hard Reset (This bit is set to “0” by Hard Reset). Card configuration status is reset and the card internal initialized operation starts when Card hard Reset is executed, so next access to the card should be the same sequence as the power on sequence.
LevlREQ (HOST->)	R/W	This bit sets to “0” when pulse mode interrupt is selected, and “1” when level mode interrupt is selected.
INDEX (HOST->)	R/W	This bit is used for select operation mode of the card as follows. When Power on, Card Hard Reset and Soft Reset, this data is “000000” for the purpose of Memory card interface recognition.

Table 16: INDEX bit assignment

INDEX Bit						Task File register address	Mapping mode
5	4	3	2	1	0		
0	0	0	0	0	0	0H to FH, 400H to 7FFH	Memory Mapped
0	0	0	0	0	1	xx0H to xxFH	Contiguous I/O Mapped
0	0	0	0	1	0	1F0H to 1F7H, 3F6H to 3F7H	Primary I/O Mapped

0	0	0	0	1	1	170H to 177H, 376H to 377H	Secondary I/O Mapped
---	---	---	---	---	---	----------------------------	----------------------

### 2.3.2 Configuration and Status Register (Address 202H)

This register is used for observing the card state.

bit 7	bit 6	bit 5	bit 4	bit 3	bit 2	bit 1	bit 0
CHGED	SIGCHG	IOIS8	0	0	PWD	INTR	0

NOTE:

1. Initial value: 00H

**Table 17: Configuration and Status Register Function**

Name	R/W	Function
CHGED (HOST->)	R	This bit indicates that CRDY/-BSY bit on Pin Replacement register is set to "1". When CHGED bit is set to "1", -STSCHG pin is held "L" at the condition of SIGCHG bit set to "1" and the card configured for the I/O interface.
SIGCHG (HOST->)	R/W	This bit is set or reset by the host for enabling and disabling the status-change signal (-STSCHG pin). When the card is configured I/O card interface and this bit is set to "1", -STSCHG pin is controlled by CHGED bit. If this bit is set to "0", -STSCHG pin is kept "H".
IOIS8 (HOST->)	R/W	The host sets this field to "1" when it can provide I/O cycles only with one 8-bit data bus (D7 to D0).
PWD (HOST->)	R/W	When this bit is set to "1", the card enters sleep stat (Power Down mode). When this bit is reset to "0", the card transfers to idle state (active mode). RRDY/-BSY bit on Pin Replacement Register becomes BUSY when this bit is changed. RRDY/-BSY will not become Ready until the power state requested has been entered. This card automatically powers down when it is idle, and powers back up when it receives a command.
INTR (HOST->)	R	This bit indicates the internal state of the interrupt request. This bit state is available whether I/O card interface has been configured or not. This signal remains true until the condition which caused the interrupt request has been serviced. If interrupts are disabled by the -IEN bit in the Device Control Register, this bit is a zero.

### 2.3.3 Pin Replacement Register (Address 204H)

This register is used for providing the signal state of -IREQ signal when the card configured I/O card interface.

bit 7	bit 6	bit 5	bit 4	bit 3	bit 2	bit 1	bit 0
0	0	CRDY/-BSY	0	1	1	RRDY/-BSY	0

NOTE:

1. Initial value 0CH

**Table 18: Pin Replacement Register Function**

Name	R/W	Function
CRDY/-BSY (HOST->)	R/W	This bit is set to "1" when the RRDY/-BSY bit changes state. This bit may also be written by the host
RRDY/-BSY (HOST->)	R/W	When read, this bit indicates +READY pin states. When written, this bit is used for CRDY/-BSY bit masking

### 2.3.4 Socket and Copy Register (Address 206H)

This register is used for identification of the card from the other cards. Host can read and write this register. This register should be set by host before Configuration Option register is set.

bit 7	bit 6	bit 5	bit 4	bit 3	bit 2	bit 1	bit 0
0	0	0	DRV#	0	0	0	0

NOTE:

1. Initial value: 00H

**Table 19: Socket and Copy Register Function**

Name	R/W	Function
DRV# (HOST->)	R/W	This field is used for the configuration of the plural cards. When host configures the plural cards, written the card's copy number in this field. In this way, host can perform the card's master/slave organization.

## 2.4 Task File Register Specification

These registers are used for reading and writing the storage data in the card. These registers are mapped five types by the configuration of INDEX in Configuration Option register. The decoded addresses are shown as follows.

**Table 20: Memory map (INDEX=0)**

-REG	A10	A9 -A4	A3	A2	A1	A0	Offset	-OE=L	-WE=L
1	0		0	0	0	0	0H	Data register	Data register
1	0		0	0	0	1	1H	Error register	Feature register
1	0		0	0	0	0	2H	Sector count register	Sector count register
1	0		0	0	0	1	3H	Sector number register	Sector number register
1	0		0	1	1	0	4H	Cylinder low register	Cylinder low register
1	0		0	1	1	1	5H	Cylinder high register	Cylinder high register
1	0		0	1	1	0	6H	Drive head register	Drive head register
1	0		1	1	1	1	7H	Status register	Command register
1	0		1	0	0	0	8H	Dup. even data register	Dup. even data register
1	0		1	0	0	1	9H	Dup. odd data register	Dup. odd data register
1	0		1	1	1	1	DH	Dup. error register	Dup. feature register
1	0		1	1	1	0	EH	Alt. status register	Device control register
1	0		1	1	1	1	FH	Drive address register	Reserved
1	1					0	8H	Even data register	Even data register
1	1					1	9H	Odd data register	Odd data register

**Table 21: Contiguous I/O map (INDEX=1)**

-REG	A10 -A4	A3	A2	A1	A0	Offset	-IORD=L	-IOWR=L
0		0	0	0	0	0H	Data register	Data register
0		0	0	0	1	1H	Error register	Feature register
0		0	0	1	0	2H	Sector count register	Sector count register
0		0	0	1	1	3H	Sector number register	Sector number register
0		0	1	0	0	4H	Cylinder low register	Cylinder low register
0		0	1	0	1	5H	Cylinder high register	Cylinder high register
0		0	1	1	0	6H	Drive head register	Drive head register
0		0	1	1	1	7H	Status register	Command register
0		1	0	0	0	8H	Dup. even data register	Dup. even data register
0		1	0	0	1	9H	Dup. odd data register	Dup. odd data register
0		1	1	0	1	DH	Dup. error register	Dup. feature register

0		1	1	1	0	EH	Alt. status register	Device control register
0		1	1	1	1	FH	Drive address register	Reserved

**Table 22: Primary I/O Map (INDEX=2)**

-REG	A10	A9 -A4	A3	A2	A1	A0	-IORD=L	-IOWR=L
0		1FH	0	0	0	0	Data register	Data register
0		1FH	0	0	0	1	Error register	Feature register
0		1FH	0	0	1	0	Sector count register	Sector count register
0		1FH	0	0	1	1	Sector number register	Sector number register
0		1FH	0	1	0	0	Cylinder low register	Cylinder low register
0		1FH	0	1	0	1	Cylinder high register	Cylinder high register
0		1FH	0	1	1	0	Drive head register	Drive head register
0		1FH	0	1	1	1	Status register	Command register
0		3FH	0	1	1	0	Alt. status register	Device control register
0		3FH	0	1	1	1	Drive address register	Reserved

**Table 23: Secondary I/O Map (INDEX=3)**

-REG	A10	A9 -A4	A3	A2	A1	A0	-IORD=L	-IOWR=L
0		17H	0	0	0	0	Data register	Data register
0		17H	0	0	0	1	Error register	Feature register
0		17H	0	0	1	0	Sector count register	Sector count register
0		17H	0	0	1	1	Sector number register	Sector number register
0		17H	0	1	0	0	Cylinder low register	Cylinder low register
0		17H	0	1	0	1	Cylinder high register	Cylinder high register
0		17H	0	1	1	0	Drive head register	Drive head register
0		17H	0	1	1	1	Status register	Command register
0		37H	0	1	1	0	Alt. status register	Device control register
0		37H	0	1	1	1	Drive address register	Reserved

**Table 24: True IDE Mode I/O Map**

-CE2	-CE1	A2	A1	A0	-IORD=L	-IOWR=L
1	0	0	0	0	Data register	Data register
1	0	0	0	1	Error register	Feature register
1	0	0	1	0	Sector count register	Sector count register
1	0	0	1	1	Sector number register	Sector number register
1	0	1	0	0	Cylinder low register	Cylinder low register
1	0	1	0	1	Cylinder high register	Cylinder high register
1	0	1	1	0	Drive head register	Drive head register
1	0	1	1	1	Status register	Command register
0	1	1	1	0	Alt. status register	Device control register
0	1	1	1	1	Drive address register	Reserved

### 2.4.1 Data Register

This register is a 16-bit register that has read/write ability, and it is used for transferring 1 sector data between the card and the host. This register can be accessed in word mode and byte mode. This register overlaps the Error and Feature register.

bit 15	bit 14	bit 13	bit 12	bit 11	bit 10	bit 9	bit 8	bit 7	bit 6	bit 5	bit 4	bit 3	bit 2	bit 1	bit 0
D0 to D15															

### 2.4.2 Error Register

This register is a read only register, and is used for analyzing the error content during card accessing. This register is valid when the BSY bit in Status Register and Alternate Status Register are set to “0” (Ready).

bit 7	bit 6	bit 5	bit 4	bit 3	bit 2	bit 1	bit 0
BBK	UNC	“0”	IDNF	“0”	ABRT	‘0’	AMNF

**Table 25: Error Register Function**

bit	Name	Function
7	BBK (Bad Block detected)	This bit is set when a Bad Block is detected in requested ID field.
6	UNC (Data ECC error)	This bit is set when Uncorrectable error is occurred at reading the card.
4	IDNF (ID Not Found)	The requested sector ID is in error or cannot be found.
2	ABRT (AboRTed command)	This bit is set if the command has been aborted because of the card status condition. (Not ready, Write fault, Invalid command, etc.)
0	AMNF (Address Mark Not Found)	This bit is set in case of a general error.

### 2.4.3 Feature Register

This register is a write only register, and provides information regarding features of the drive, which the host wishes to utilize.

bit 7	bit 6	bit 5	bit 4	bit 3	bit 2	bit 1	bit 0
Feature byte							

### 2.4.4 Sector Count Register

This register contains the numbers of sectors of data requested to be transferred on a read or write operation between the host and the card. If the value of this register is zero, a count of 256 sectors is specified. In plural sector transfer, if not successfully completed, the register contains the number of sectors, which need to be transferred in order to complete, the request. This register’s initial value is “01H”.

bit 7	bit 6	bit 5	bit 4	bit 3	bit 2	bit 1	bit 0
Sector count byte							

### 2.4.5 Sector Number Register

This register contains the starting sector number, which is started by following sector transfer command.

bit 7	bit 6	bit 5	bit 4	bit 3	bit 2	bit 1	bit 0
Sector number byte							

### 2.4.6 Cylinder Low Register

This register contains the low 8-bit of the starting cylinder address, which is started by following sector transfer command.

bit 7	bit 6	bit 5	bit 4	bit 3	bit 2	bit 1	bit 0
Cylinder low byte							

### 2.4.7 Cylinder High Register

This register contains the high 8-bit of the starting cylinder address, which is started by following sector transfer command.

bit 7	bit 6	bit 5	bit 4	bit 3	bit 2	bit 1	bit 0
Cylinder high byte							

### 2.4.8 Drive Head Register

This register is used for selecting the Drive number and head number for the following command.

bit 7	bit 6	bit 5	bit 4	bit 3	bit 2	bit 1	bit 0
1	LBA	1	DRV	Head #			

NOTE:

1. DRV: Drive number

**Table 26: Drive Head Register Function**

bit	Name	Function
7	1	This bit is set to "1".
6	LBA	LBA is a flag to select either Cylinder / Head / Sector (CHS) or Logical Block Address (LBA) mode. When LBA = 0, CHS mode is selected. When LBA = 1, LBA mode is selected. In LBA mode, the Logical Block Address is interrupted as follows: LBA07 - LBA00: Sector Number Register D7 - D0. LBA15 - LBA08: Cylinder Low Register D7 - D0. LBA23 - LBA16: Cylinder High Register D7 - D0. LBA27 - LBA24: Drive / Head Register bits HS3 - HS0.
5	1	This bit is set to "1".
4	DRV (DRiVe select)	This bit is used for selecting the Master (Card 0) and Slave (Card 1) in Master/Slave organization. The card is set to be Card 0 or 1 by using DRV# of the Socket and Copy register.
3-0	Head number	This bit is used for selecting the Head number for the following command. Bit 3 is MSB.

### 2.4.9 Status Register

This register is read only register, and it indicates the card status of command execution. When this register is read in configured I/O card mode (INDEX = 1, 2, 3) and level interrupt mode, -IREQ is negated. This register should be accessed in byte mode. In word mode, it is recommended that Alternate status register may be used as this register.

bit 7	bit 6	bit 5	bit 4	bit 3	bit 2	bit 1	bit 0
BSY	DRDY	DWF	DSC	DRQ	CORR	IDX	ERR

**Table 27: Status Register Function**

bit	Name	Function
7	BSY (BuSY)	This bit is set when the card internal operation is executing. When this bit is set to "1", other bits in this register are invalid.
6	DRDY (Drive ReaDY)	If this bit and DSC bit are set to "1", the card is capable of receiving the read or write or seek requests. If this bit is set to "0", the card prohibits these requests.
5	DWF (Drive Write Full)	This bit is set if this card indicates the write fault status.
4	DSC (Drive Seek Complete)	This bit is set when the drive seek complete.
3	DRQ (Data ReQuest)	This bit is set when the information can be transferred between the host and Data register. This bit is cleared when the card receives the other command.
2	CORR (CORReCted data)	This bit is set when a correctable data error has been occurred and the data has been corrected.
1	IDX (InDeX)	This bit is always set to "0".
0	ERR (ERRor)	This bit is set when the previous command has ended in some type of error. The error information is set in the other Status register or Error register. This bit is cleared by the next command.

### 2.4.10 Alternate Status Register

This register is the same as Status register in physically, so the it assignment refers to previous item of Status register. But this register is different from Status register that –IREQ is not negated when data read.

### 2.4.11 Command Register

This register is write only register, and it is used for writing the command at executing the drive operation. The command code written in the command register, after the parameter is written in the Task File during the card is Ready state.

**Table 28: Command Register**

Command	Command Code	Used Parameter						
		FR	SC	SN	CY	DR	HD	LBA
Check power mode	E5H or 98H	N	N	N	N	Y	N	N
Execute drive diagnostic	90H	N	N	N	N	Y	N	N
Erase sector	C0H	N	Y	Y	Y	Y	Y	Y
Format track	50H	N	Y	N	Y	Y	Y	Y
Identify Drive	ECH	N	N	N	N	Y	N	N
Idle	E3H or 97H	N	Y	N	N	Y	N	N
Idle immediate	E1H or 95H	N	N	N	N	Y	N	N
Initialize drive parameters	91H	N	Y	N	N	Y	Y	N
Read buffer	E4H	N	N	N	N	Y	N	N
Read multiple	C4H	N	Y	Y	Y	Y	Y	Y
Read long sector	22H or 23H	N	N	Y	Y	Y	Y	Y
Read sector	20H or 21H	N	Y	Y	Y	Y	Y	Y
Read verify sector	40H or 41H	N	Y	Y	Y	Y	Y	Y
Recalibrate	1XH	N	N	N	N	Y	N	N
Request sense	03H	N	N	N	N	Y	N	N
Seek	7XH	N	N	Y	Y	Y	Y	Y
Set features	EFH	Y	N	N	N	Y	N	N
Set multiple mode	C6H	N	Y	N	N	Y	N	N
Set sleep mode	E6H or 99H	N	N	N	N	Y	N	N
Stand by	E2H or 96H	N	N	N	N	Y	N	N
Stand by immediate	E0H or 94H	N	N	N	N	Y	N	N
Translate sector	87H	N	Y	Y	Y	Y	Y	Y
Wear level	F5H	N	N	N	N	Y	Y	N
Write buffer	E8H	N	N	N	N	Y	N	N
Write long sector	32H or 33H	N	N	Y	Y	Y	Y	Y
Write multiple	C5H	N	Y	Y	Y	Y	Y	Y
Write multiple w/o erase	CDH	N	Y	Y	Y	Y	Y	Y
Write sector	30H or 31H	N	Y	Y	Y	Y	Y	Y
Write sector w/o erase	38H	N	Y	Y	Y	Y	Y	Y
Write verify	3CH	N	Y	Y	Y	Y	Y	Y

**NOTE:**

- FR:** Feature register
- SC:** Sector Count register
- SN:** Sector Number register
- CY:** Cylinder register
- DR:** DRV bit of Drive Head register
- HD:** Head Number of Drive Head register
- LBA:** Logical Block Address Mode Supported
- Y:** The register contains a valid parameter for this command
- N:** The register does not contain a valid parameter for this command.

### 2.4.12 Device Control Register



This register is write only register, and it is used for controlling the card interrupt request and issuing an ATA soft reset to the card.

bit7	bit6	bit5	bit4	bit3	bit2	bit1	bit0
				1	SRST	nIEN	0

**Table 29: Device Control Register Function**

bit	Name	Function
7 -4		Don't care
3	1	This bit is set to "1".
2	SRST (Software ReSeT)	This bit is set to "1" in order to force the card to perform Task File Reset operation. This does not change the Card Configuration registers as a Hardware Reset does. The card remains in Reset until this bit is reset to "0".
1	nIEN (Interrupt ENable)	This bit is used for enabling -IREQ. When this bit is set to "0", -IREQ is enabled. When this bit is set to "1", -IREQ is disabled.
0	0	This bit is set to "0".

### 2.4.13 Drive Address Register

This register is read only register, and it is used for confirming the drive status. This register is provided for compatibility with the AT disk drive interface. It is recommended that this register be not mapped into the host's I/O space because of potential conflicts on bit7.

bit 7	bit 6	bit 5	bit 4	bit 3	bit 2	bit 1	bit 0
	nWTG	nHS3	nHS2	nHS1	nHS0	nDS1	nDS0

**Table 30: Drive Address Register Function**

bit	Name	Function
7		This bit is unknown.
6	nWTG (WriTing Gate)	This bit is unknown.
5 -2	nHS3 -0(Head Select3 - 0)	These bits are the negative value of Head Select bits (bit 3 to 0) in Drive/Head register.
1	nDS1 (Idrive Select1)	This bit is unknown.
0	nDS0 (Idrive Select0)	This bit is unknown.

## 2.5 ATA Command Specification

This table summarizes the ATA command set with the paragraphs. Following shows the support commands and command codes, which are written in, command registers.

**Table 31: ATA Command Set**

No.	Command	Command Code	FR	SC	SN	CY	DR	HD	LBA
1	Check power mode	E5H or 98H	-	-	-	-	Y	-	-
2	Execute drive diagnostic	90H	-	-	-	-	Y	-	-
3	Erase sector	C0H	-	Y	Y	Y	Y	Y	Y
4	Format track	50H	-	Y	-	Y	Y	Y	Y
5	Identify Drive	ECH	-	-	-	-	Y	-	-
6	Idle	E3H or 97H	-	Y	-	-	Y	-	-
7	Idle immediate	E1H or 95H	-	-	-	-	Y	-	-
8	Initialize drive parameters	91H	-	Y	-	-	Y	Y	-

9	Read buffer	E4H	-	-	-	-	Y	-	-
10	Read multiple	C4H	-	Y	Y	Y	Y	Y	Y
11	Read long sector	22H, 23H	-	-	Y	Y	Y	Y	Y
12	Read sector	20H, 21H	-	Y	Y	Y	Y	Y	Y
13	Read verify sector	40H, 41H	-	Y	Y	Y	Y	Y	Y
14	Recalibrate	1XH	-	-	-	-	Y	-	-
15	Request sense	03H	-	-	-	-	Y	-	-
16	Seek	7XH	-	-	Y	Y	Y	Y	Y
17	Set features	EFH	Y	-	-	-	Y	-	-
18	Set multiple mode	C6H	-	Y	-	-	Y	-	-
19	Set sleep mode	E6H or 99H	-	-	-	-	Y	-	-
20	Stand by	E2H or 96H	-	-	-	-	Y	-	-
21	Stand by immediate	E0H or 94H	-	-	-	-	Y	-	-
22	Translate sector	87H	-	Y	Y	Y	Y	Y	Y
23	Wear level	F5H	-	-	-	-	Y	Y	-
24	Write buffer	E8H	-	-	-	-	Y	-	-
25	Write long sector	32H or 33H	-	-	Y	Y	Y	Y	Y
26	Write multiple	C5H	-	Y	Y	Y	Y	Y	Y
27	Write multiple w/o erase	CDH	-	Y	Y	Y	Y	Y	Y
28	Write sector	30H or 31H	-	Y	Y	Y	Y	Y	Y
29	Write sector w/o erase	38H	-	Y	Y	Y	Y	Y	Y
30	Write verify	3CH	-	Y	Y	Y	Y	Y	Y

**NOTE:**

- FR:** Feature register
- SC:** Sector Count register (00H to FFH)
- SN:** Sector Number register (01H to 20H)
- CY:** Cylinder register (to)
- DR:** DRV bit of Drive Head register
- HD:** Head No. (0 to 3) of Drive Head register
- NH:** No. of Heads
- Y:** Set up
- :** Not Set up

### 2.5.1 ATA Command Set Description

1. Check Power Mode (code: E5H or 98H): This command checks the power mode.
2. Execute Drive Diagnostic (code: 90H): This command performs the internal diagnostic tests implemented by the Card.
3. Erase Sector(s) (code: C0H): This command is used to erase data sectors.
4. Format Track (code: 50H): This command writes the desired head and cylinder of the selected drive. But selected sector data is not exchanged. This card accepts a sector buffer of data from the host to follow the command with same protocol as the Write Sector command.
5. Identify Drive (code: ECH): This command enables the host to receive parameter information from the Card.

**Table 32: Identify Drive Information**

Word Address	Default Value	Total Bytes	Data Field Type Information
0	848Ah	2	General Configuration: 848Ah: Removable Disk (Default) 044Ah: Fixed Disk (Option)
1	XXXX	2	Number of cylinders
2	0000h	2	Reserved
3	00XXh	2	Number of heads
4	0000h	2	Number of unformatted bytes per track
5	XXXX	2	Number of unformatted bytes per sector
6	XXXX	2	Number of sectors per track

7 -8	XXXX	4	Number of sectors per card (Word 7 = MSW, Word 8 = LSW)
9	0000h	2	Reserved
10 -19	aaaa	20	Serial Number in ASCII (Right Justified)
20	0002h	2	Buffer type: Dual ported multi-sector
21	0002h	2	Buffer size in 512 byte increments
22	0004h	2	# of ECC bytes passed on Read/Write Long Commands
23 -26	aaaa	8	Firmware revision in ASCII. Big Endian Byte Order in Word
27-46	aaaa	40	Model number in ASCII (Left Justified) Big Endian Byte Order in Word
47	0001h	2	Maximum of 1 sector on Read/Write Multiple command
48	0000h	2	Double Word not supported
49	0200h	2	Capabilities: Bit 9: LBA Supported
50	0000h	2	Reserved
51	0200h	2	PIO data transfer cycle timing mode 2
52	0000h	2	DMA data transfer cycle timing mode (Not Supported)
53	0003h	2	Field validity
54	XXXXh	2	Current number of cylinders
55	XXXXh	2	Current number of heads
56	XXXXh	2	Current sectors per track
57-58	XXXXh	4	Current capacity in sectors (LBAs) (Word 57 = LSW, Word 58 = MSW)
59	010Xh	2	Multiple Sector Setting is valid
60 -61	XXXX	4	Total number of sectors addressable in LBA Mode
62	0000h	2	Reserved
63	0000h	2	Multiword DMA Transfer: 0000h: Not Supported
64	0003h	2	Advanced PIO Modes supported
65	0000h	2	Minimum DMA transfer cycle time per word
66	0000h	2	Recommended DMA transfer cycle time.
67	0078h	2	Minimum PIO transfer cycle time without flow control
68	0078h	2	Minimum PIO transfer cycle time with IORDY flow control
69-127	XXXXh	130	Reserved
128-159	0000h	64	Reserved Vendor Unique Bytes
160-255	0000h	192	Reserved

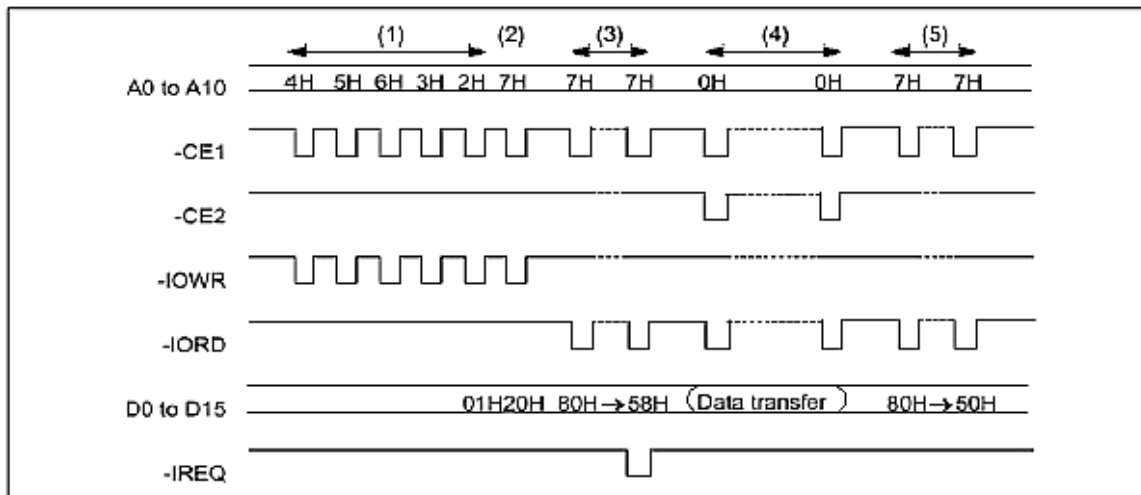
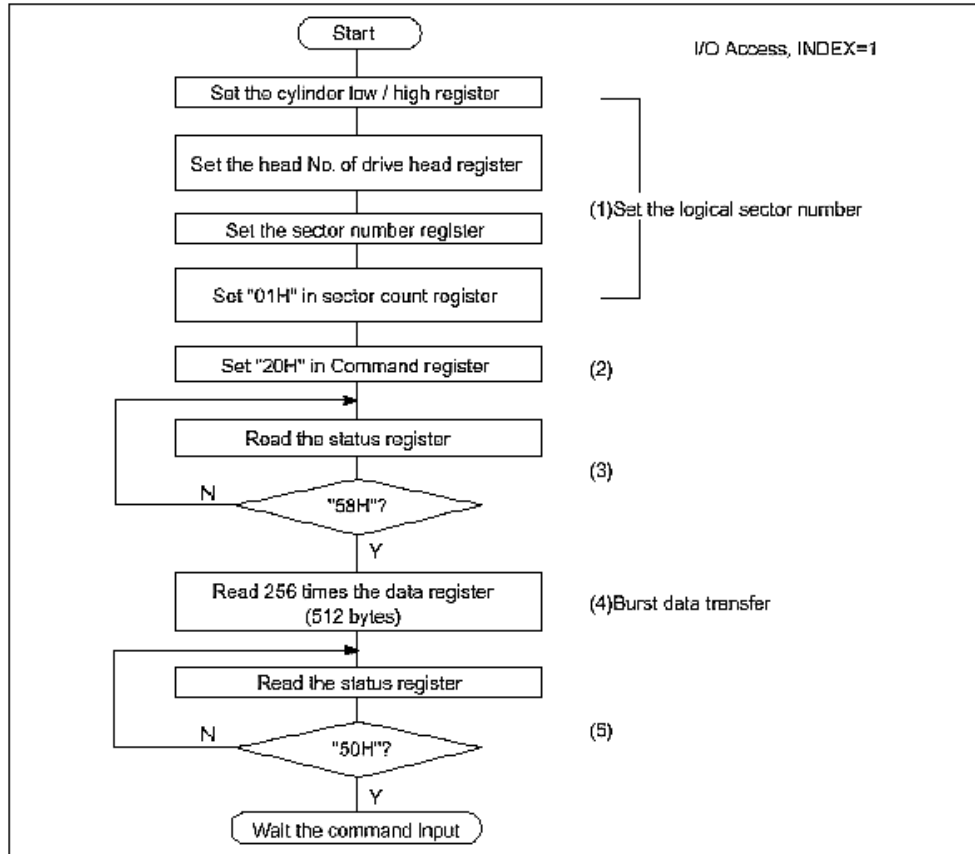
6. Idle (code: E3H or 97H): This command causes the PC Card to set BSY, enter the Idle mode, clear BSY and generate an interrupt. If sector count is non-zero, the automatic power down mode is enabled. If the sector count is zero, the automatic power down mode is disabled.
7. Idle Immediate (code: E1H or 95H): This command causes the Card to set BSY, enter the Idle (Read) mode, clear BSY and generate an interrupt.
8. Initialize Drive Parameters (code: 91H): This command enables the host to set the number of sectors per track and the number of heads per cylinder.
9. Read Buffer (code: E4H): This command enables the host to read the current contents of the PC card's sector buffer.
10. Read Multiple (code: C4H): This command performs similarly to the Read Sectors command. Interrupts are not generated on each sector, but on the transfer of a block, which contains the number of sectors defined by a Set Multiple command.
11. Read Long Sector (code: 22H, 23H): This command performs similarly to the Read Sector(s) command except that it returns 516 bytes of data instead of 512 bytes.
12. Read Sector(s) (code: 20H, 21H): This command reads from 1 to 256 sectors as specified in the Sector Count register. A sector count of 0 requests 256 sectors. The transfer begins at the sector specified in the Sector Number register.
13. Read Verify Sector(s) (code: 40H, 41H): This command is identical to the Read Sectors command, except that DRQ is never set and no data is transferred to the host.
14. Recalibrate (code: 1XH): This command is effectively a NOP command to the Card and is provided for compatibility purposes.

15. Request Sense (code: 03H): This command requests an extended error code after command ends with an error.
16. Seek (code: 7XH): This command is effectively a NOP command to the Card although it does perform a range check.
17. Set Features (code: EFH): This command is used by the host to establish or select certain features.

Feature	Operation
01H	Enable 8-bit data transfers.
55H	Disable Read Look Ahead.
66H	Disable Power on Reset (POR) establishment of defaults at Soft Reset.
81H	Disable 8-bit data transfer.
BBH	4 bytes of data apply on Read/Write Long commands.
CCH	Enable Power on Reset (POR) establishment of defaults at Soft Reset.

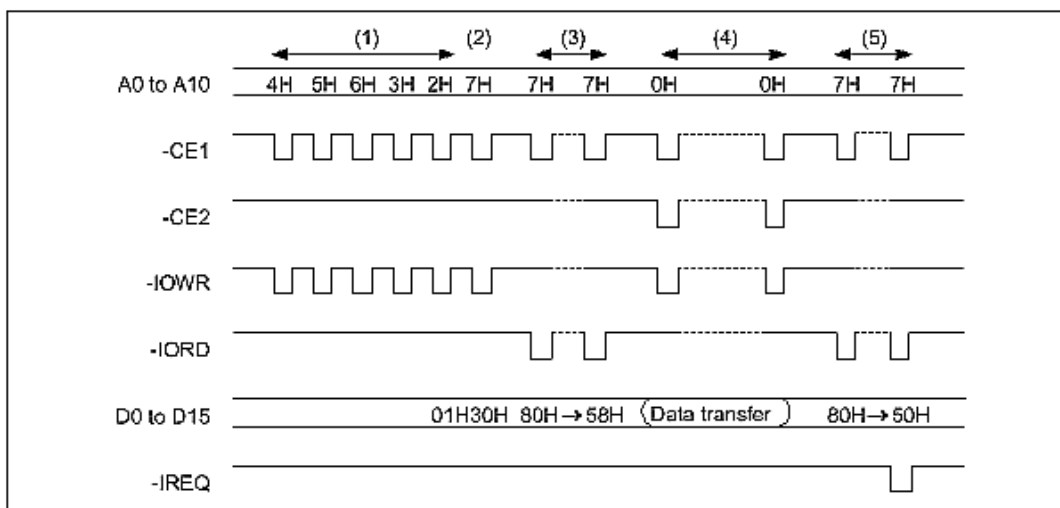
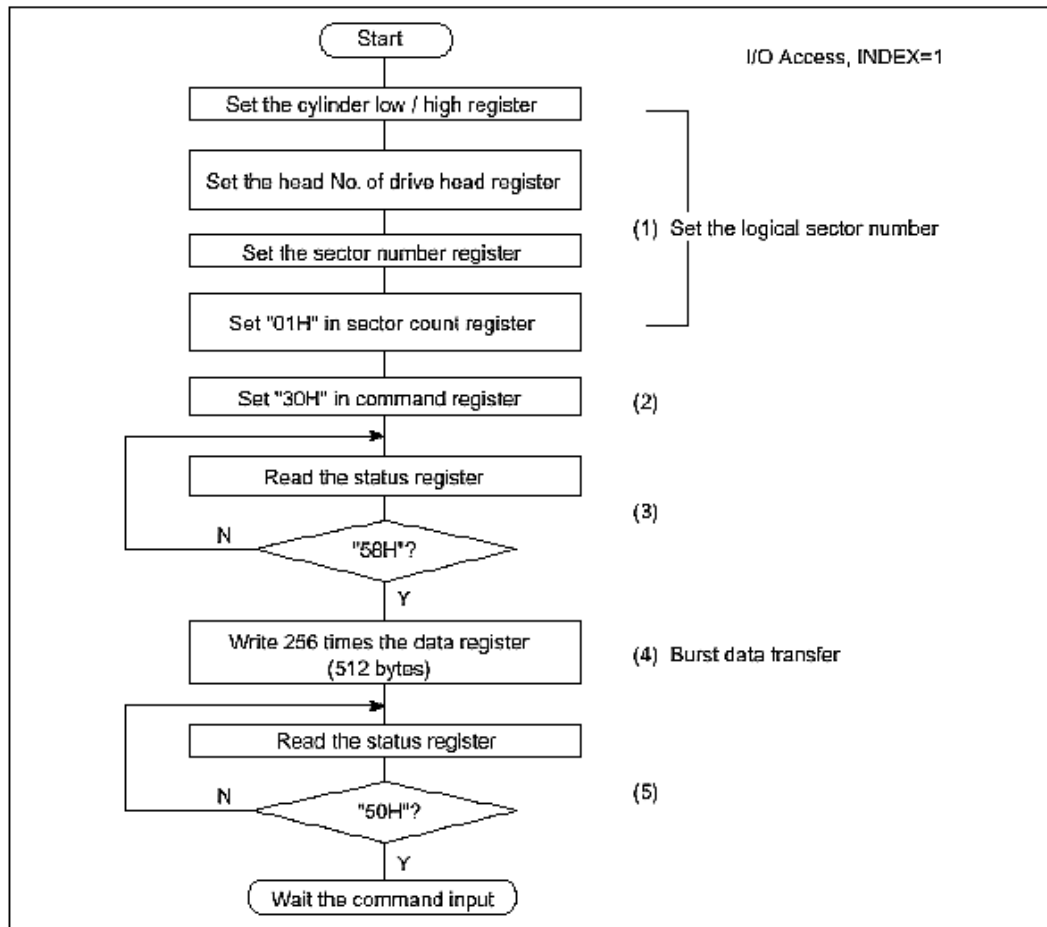
18. Set Multiple Mode (code: C6H): This command enables the Card to perform Read and Write Multiple operations and establishes the block count for these commands.
19. Set Sleep Mode (code: E6H or 99H): This command causes the Card to set BSY, enter the Sleep mode, clear BSY and generate an interrupt.
20. Stand By (code: E2H or 96H): This command causes the Card to set BSY, enter the Sleep mode (which corresponds to the ATA “Standby” Mode), clear BSY and return the interrupt immediately.
21. Stand By Immediate (code: E0H or 94H): This command causes the Card to set BSY, enter the Sleep mode (which corresponds to the ATA “Standby” Mode), clear BSY and return the interrupt immediately.
22. Translate Sector (code: 87H): This command allows the host a method of determining the exact number of times a user sector has been erased and programmed.
23. Wear level (code: F5H): This command is effectively a NOP command and only implemented for backward compatibility. The Sector Count Register will always be returned with a 00H indicating Wear Level is not needed.
24. Write Buffer (code: E8H): This command enables the host to overwrite contents of the Card’s sector buffer with any data pattern desired.
25. Write Long Sector (code: 32H or 33H): This command is provided for compatibility purposes and is similar to the Write Sector(s) command except that it writes 516 bytes instead of 512 bytes.
26. Write Multiple (code: C5H): This command is similar to the Write Sector command. Interrupts are not presented on each sector, but on the transfer of a block, which contains the number of sectors defined by Set Multiple command.
27. Write Multiple without Erase (code: CDH): This command is similar to the Write Multiple command with the exception that an implied erase before write operation is not performed.
28. Write Sector(s) (code: 30H or 31H): This command writes from 1 to 256 sectors as specified in the Sector Count register. A sector count of zero requests 256 sectors. The transfer begins at the sector specified in the Sector Number register.
29. Write Sector(s) without Erase (code: 38H): This command is similar to the Write Sector(s) command with the exception that an implied erase before write operation is not performed.
30. Write Verify (code: 3CH): This command is similar to the Write Sector(s) command, except each sector is verified immediately after being written.

### 2.5.2 Sector Transfer Protocol



**Figure 6: Sector Read**

**NOTE:** 1 sector read procedure after the card configured I/O interface is shown as follows.



**Figure 7: Sector Write**

**NOTE:** 1 sector write procedure after the card configured I/O interface is shown as follows.

## 3.0 Electrical Specification

### 3.1 General

**Table 33: Absolute Maximum Ratings ( $V_{CC}=3.3V \pm 5\%$  or  $V_{CC}=5V \pm 10\%$ )**

Symbol	Parameter	Min	Max	Units
$V_{CC}$	$V_{CC}$ With Respect to GND	-0.3	5.5	V
$V_{IN} / V_{OUT}$	All Input/Output Voltages <sup>1</sup>	-0.3	$V_{CC} + 0.3$	V
$T_A$	Operating Temperature (Standard Temp)	0	70	°C
$T_A$	Operating Temperature (Industrial Temp)	-40	85	°C
$T_S$	Storage Temperature	-65	150	°C
$V^*$	Voltage on any Pin Except $V_{CC}$ with Respect to GND	-0.5	$V_{CC} + 0.5$	V

NOTE:

1.  $V_{IN} / V_{OUT}$  Min. = -2.0V for Pulse Width 0.20ns

**Table 34: Input Leakage Control**

Symbol	Parameter	Type	Conditions	MIN	MAX	Units
IL	Input Leakage Current	IxZ	$V_{ih} = V_{cc}/V_{il} = Gnd$	-10	10	$\mu A$
RPU1	Pull Up Resistor	IxU	$V_{cc} = 5.0V$	20k	50k	Ohm
RPD1	Pull Down Resistor	IxD	$V_{cc} = 5.0V$	20k	50k	Ohm

NOTE: The minimum pull-up resistor leakage current meets the PCMCIA specification of 10k ohms but is intentionally higher in the Compact Flash Memory Card to reduce power use.

**Table 35: Input Characteristics**

Type	Parameter	Symbol	$V_{cc} = 3.3 V$			$V_{cc} = 5.0 V$			Units
			MIN	TYP	MAX	MIN	TYP	MAX	
1	Input Voltage CMOS	$V_{ih}$ $V_{il}$	2.4		0.6	2.4		0.8	V
2	Input Voltage CMOS	$V_{ih}$ $V_{il}$	1.5		0.6	2.0		0.8	V
3	Input Voltage CMOS Schmitt Trigger	$V_{ih}$ $V_{il}$		1.8 1.0			2.8 2.0		V

**Table 36: Output Drive Type**

Type	Output Type	Valid Conditions
OTx	Totempole	Ioh & Iol
OZx	Tri-State N-P Channel	Ioh & Iol
OPx	P-Channel Only	Ioh only
ONx	N-Channel Only	Iol only

**Table 37: Output Drive Characteristics**

Type	Parameter	Symbol	Conditions	MIN	TYP	MAX	Units
1	Output Voltage	Voh	Ioh = -4 mA	Vcc			V
		Vol	Iol = 4 mA	-0.8V		GND +0.4V	
2	Output Voltage	Voh	Ioh = -8 mA	Vcc			V
		Vol	Iol = 8 mA	-0.8V		GND +0.4V	
3	Output Voltage	Voh	Ioh = -8 mA	Vcc			V
		Vol	Iol = 8 mA	-0.8V		GND +0.4V	
X	Tri-State Leakage Current	Ioz	Vol = Gnd Voh = Vcc	-10		10	µA

**Table 38: Capacitance (Ta = 25°C, f = 1MHz)**

Parameter	Symbol	Condition	Min	Max	Unit
Input capacitance	Cin	Vin = 0V	-	10	pF
Output capacitance	Cout	Vout = 0V	-	35	pF

**Table 39: Power-up/Power-down Timing**

The timing specification was defined to retain data in the Flash Card during power-up or power-down cycles and to permit peripheral cards to perform power-up initialization.

Item	Symbol	Condition	Value		
			Min	Max	Unit
CE signal level <sup>1</sup>	Vi (CE)	0V < Vcc < 2.0V	0	ViMAX	V
		2.0V < Vcc < VIH	<Vcc - 0.1	ViMAX	
		< VIH < Vcc	VIH	ViMAX	
CE Setup Time	Tsu (Vcc)		20		ms
	Tsu (RESET)		20		ms
CE Recover Time	Trec (Vcc)		0.001		ms
Vcc Rising Time <sup>2</sup>	tpr	10% → 90% of (Vcc + 5%)	0.1	300	ms
	tpf	90% of (Vcc - 5%) → 10%	3.0	300	ms
Reset Width	Tw (RESET)		10		µs
	Th (Hi-z Reset)		1		ms
	Ts (Hi-z Reset)		0		ms

**NOTE:**

1. ViMAX means Absolute Maximum Voltage for Input in the period of 0V < Vcc < 2.0V, Vi (CE) is only 0V - ViMAX.
2. The tpr and tpf are defined as “linear waveform” in the period of 10% to 90% or vice-versa. Even if the waveform is not “linear waveform,” its rising and falling time must be met by this specification.



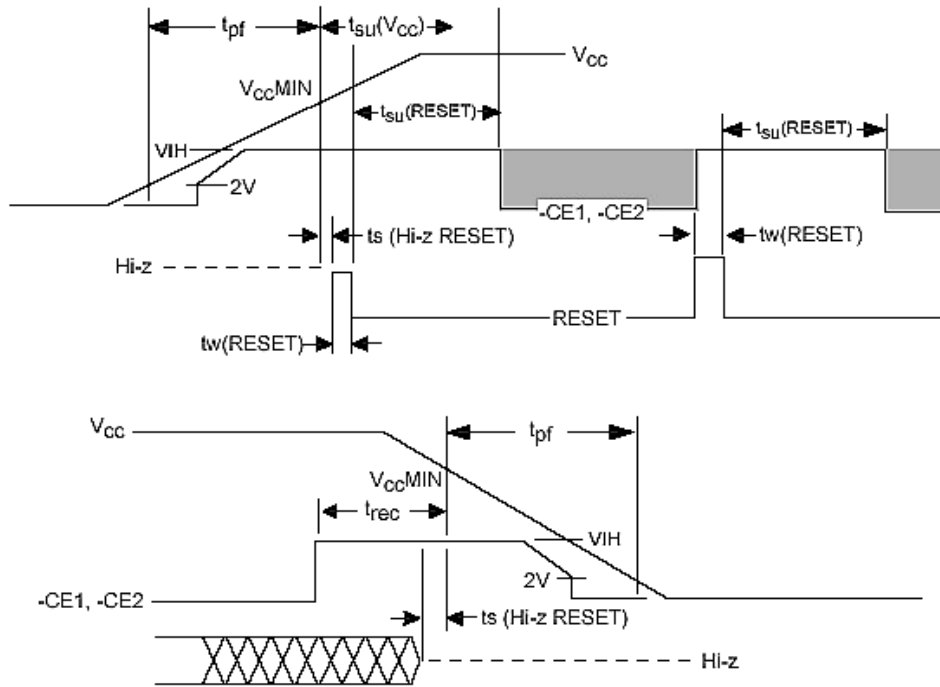


Figure 8: Power Up/Power Down Timing

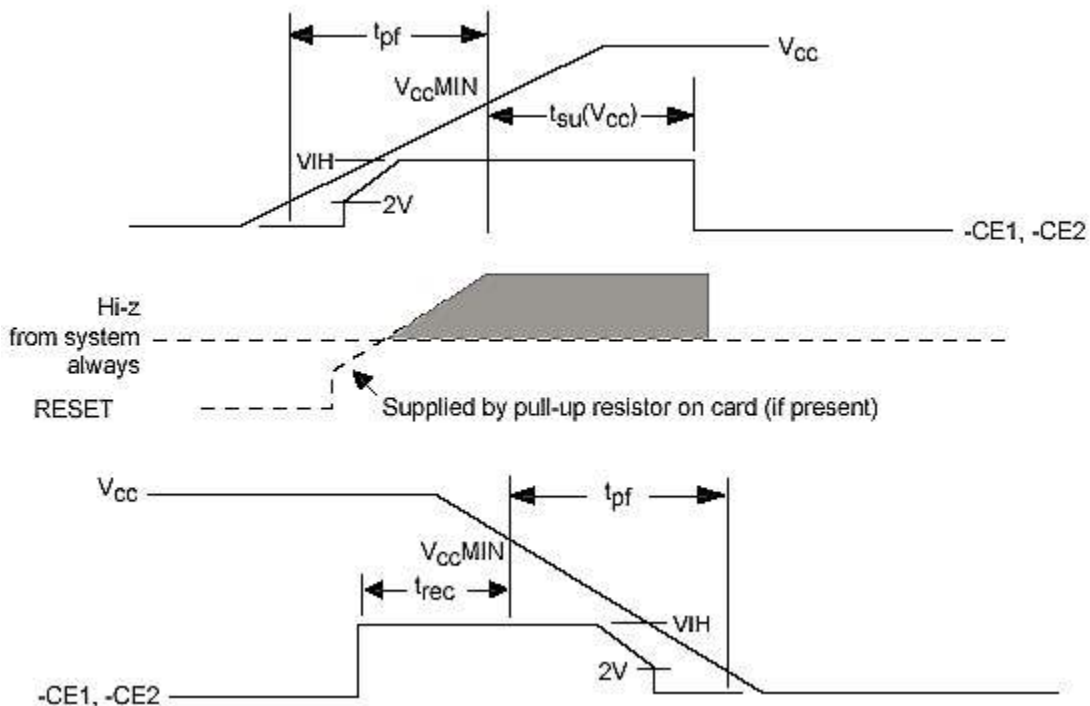


Figure 9: Power Up/Power Down Timing for Systems Not Supporting RESET

### 3.2 DC Characteristics

**Table 40: (Ta = 0 to +70°C, Vcc = 5V ± 10%, 3.3V ± 10%)**

Parameter	Symbol	Conditions	V <sub>CC</sub> = 3.3V ± 5%			V <sub>CC</sub> = 5V ± 10%			Unit
			Min	Typ	Max	Min	Typ	Max	
Input leakage current <sup>1</sup>	I <sub>LI</sub>	V <sub>IN</sub> = GND to V <sub>CC</sub>	-	-	0.1	-	-	0.1	mA
Output voltage	V <sub>OL</sub>	I <sub>OL</sub> = 8 mA	-	-	0.4	-	-	0.4	V
	V <sub>OH</sub>	I <sub>OL</sub> = -8 mA	V <sub>CC</sub> -0.8	-	-	-	-	-	V <sub>I</sub>
Input voltage (CMOS)	V <sub>IL</sub>	-	-	-	0.6	-	-	0.8	V
	V <sub>IH</sub>	-	2.4	-	-	4.0	-	-	V
Input voltage (Schmitt trigger)	V <sub>IL</sub>	-	-	1.0	-	-	2.0	-	V
	V <sub>IH</sub>	-	-	1.8	-	-	2.8	-	V
Sleep/Standby Current	I <sub>SP1</sub>	Ctrl = V <sub>CC</sub> -0.2V <sup>2</sup>	-	-	4.3	-	-	4.3	mA
Sector Read Current	I <sub>CCR</sub> (DC)	Ctrl = V <sub>CC</sub> -0.2V <sup>2</sup>	-	40	75	-	45	80	mA
	I <sub>CCR</sub> (Max)		-	90	120	-	100	130	
Sector Write Spec	I <sub>CCR</sub> (DC)	Ctrl = V <sub>CC</sub> -0.2V <sup>2</sup>	-	40	75	-	45	80	mA
	I <sub>CCR</sub> (Max)		-	90	120	-	100	130	

**NOTE:**

1. Except Pulled-Up Input Pin
2. CMOS Level in Memory Card & I/O Mode

### 3.3 AC Characteristics

(Ta = 0 to +70 °C, Vcc = 5V±10%, 3.3V±10%)

#### 3.3.1 General

Attribute Memory access time is defined as 250 ns. Detailed timing specifications are shown in Table 41.

**Table 41: Attribute Memory Read Timing**

Speed Version	Item	Symbol	IEEE Symbol	300ns	
				Min (ns)	Max (ns)
	Read cycle time	t <sub>CR</sub>	t <sub>AVAV</sub>	250	-
	Address access time	t <sub>a</sub> (A)	t <sub>AVQV</sub>	-	250
	Card Enable access time	t <sub>a</sub> (CE)	t <sub>ELQV</sub>	-	250
	Output Enable access time	t <sub>a</sub> (OE)	t <sub>GLQV</sub>	-	125
	Output disable time (-CE)	t <sub>dis</sub> (CE)	t <sub>EHQZ</sub>	-	100
	Output disable time (-OE)	t <sub>dis</sub> (OE)	t <sub>GHQZ</sub>	-	100
	Address setup time	t <sub>su</sub> (A)	t <sub>AVGL</sub>	30	-
	Output enable time (-CE)	t <sub>en</sub> (CE)	t <sub>ELQNZ</sub>	5	-
	Output enable time (-OE)	t <sub>en</sub> (OE)	t <sub>GLQNZ</sub>	5	-
	Data valid from Address Change	t <sub>v</sub> (A)	t <sub>AXQX</sub>	0	-

Note: All times are in nanoseconds. D<sub>out</sub> signifies data provided by the CompactFlash Card to the system. The -CE signal or both the -OE signal and the -WE signal shall be de-asserted between consecutive cycle operations.

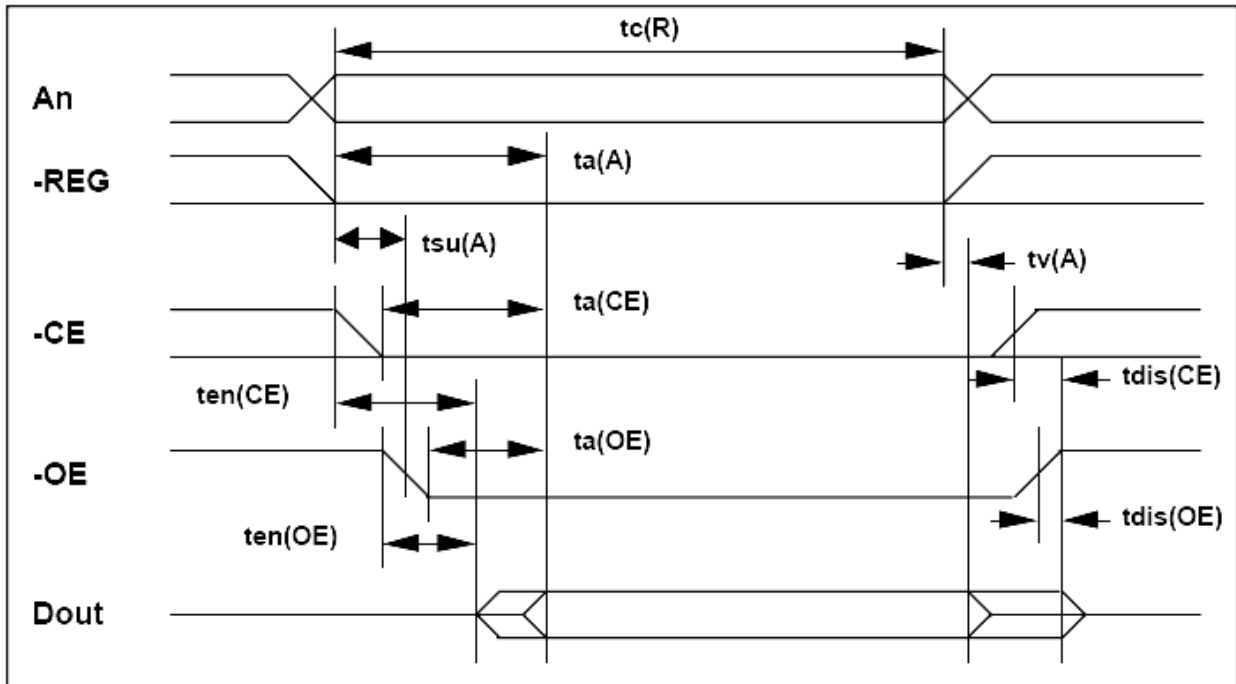


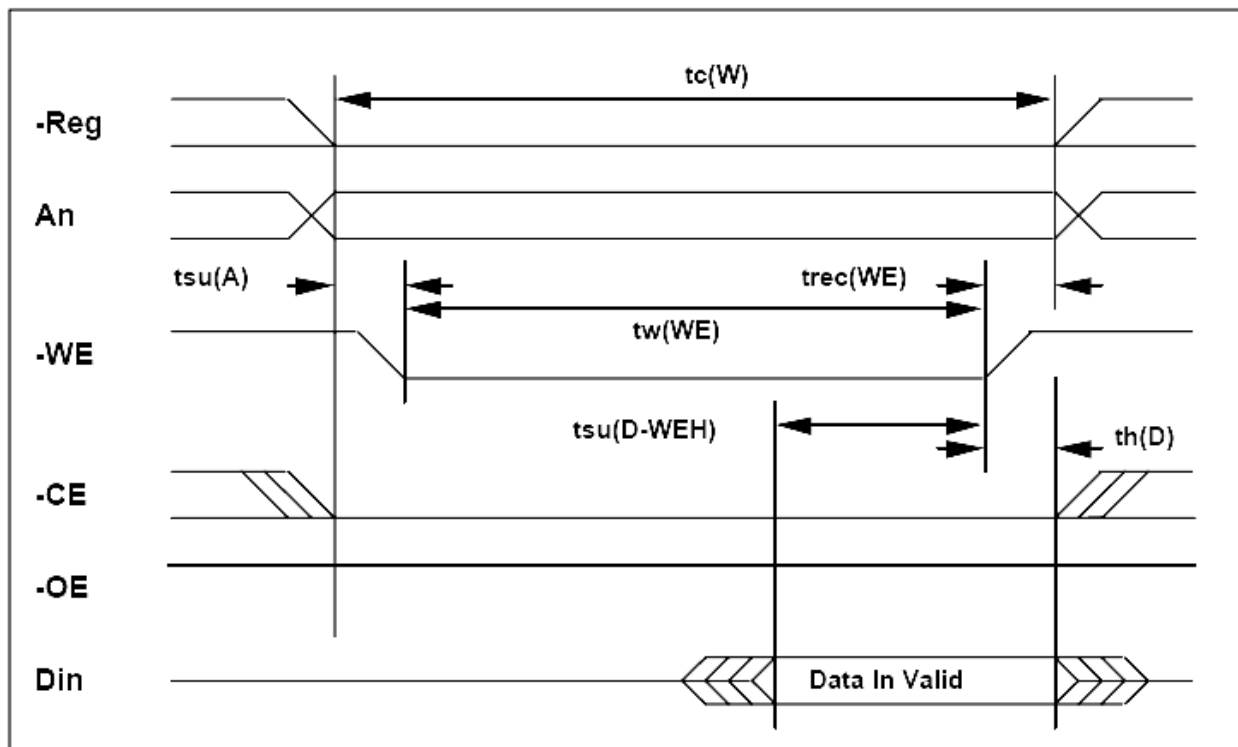
Figure 10: Attribute Memory Read Timing Diagram

The Card Configuration Register (Attribute Memory) write access time is defined as 250ns. Detailed timing specifications are shown in Table 42.

**Table 42: Attribute Memory Write Timing**

Speed Version	250 ns			
Item	Symbol	IEEE Symbol	Min (ns)	Max (ns)
Write cycle time	tCW	tAVAV	250	-
Write pulse width	tw(WE)	tWLWH	150	-
Address setup time	tsu(A)	tAVWL	30	-
Write recover time	trec(WE)	tWMAX	30	-
Data setup time for WE	tsu(D-WEH)	tDVWH	80	-
Data hold time	th(D)	tWMDX	30	-

Note: All times are in nanoseconds. Din signifies data provided by the system to the CompactFlash Card.

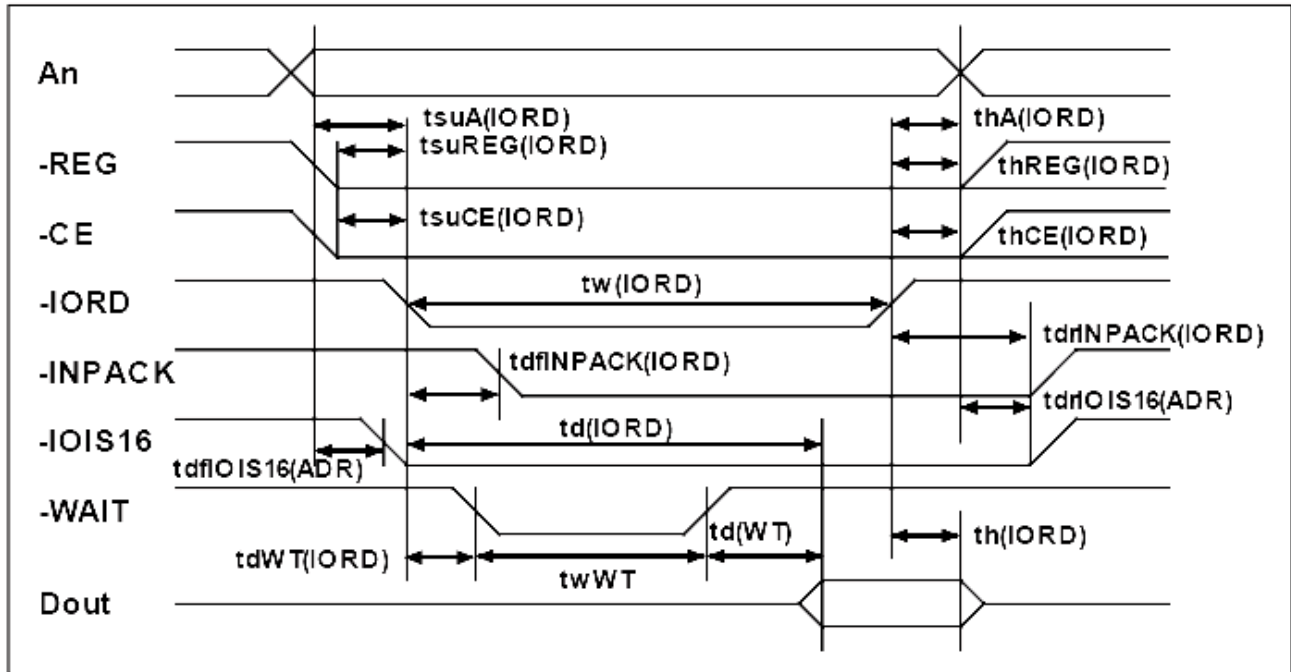


**Figure 11: Attribute Memory Write Timing Diagram**

**Table 43: I/O Access Read Timing**

Item	Symbol	IEEE Symbol	Min (ns)	Max (ns)
Data delay after $\text{-IORD}$	$t_d(\text{IORD})$	$t_{\text{IGLQV}}$	-	45
Data hold following $\text{-IORD}$	$t_h(\text{IORD})$	$t_{\text{IGHQX}}$	5	-
$\text{-IORD}$ pulse width	$t_w(\text{IORD})$	$t_{\text{IGLIGH}}$	55	-
Address setup before $\text{-IORD}$	$t_{suA}(\text{IORD})$	$t_{\text{AVIGL}}$	15	-
Address hold following $\text{-IORD}$	$t_{hA}(\text{IORD})$	$t_{\text{IGHAX}}$	10	-
$\text{-CE}$ setup before $\text{-IORD}$	$t_{suCE}(\text{IORD})$	$t_{\text{ELIGL}}$	5	-
$\text{-CE}$ hold following $\text{-IORD}$	$t_{hCE}(\text{IORD})$	$t_{\text{GHEH}}$	10	-
$\text{-REG}$ setup before $\text{-IORD}$	$t_{suREG}(\text{IORD})$	$t_{\text{RGLIGL}}$	5	-
$\text{-REG}$ hold following $\text{-IORD}$	$t_{hREG}(\text{IORD})$	$t_{\text{GHRGH}}$	0	-
$\text{-INPACK}$ delay falling from $\text{-IORD}$	$t_{dfINPACK}(\text{IORD})$	$t_{\text{GLIAL}}$	-	45
$\text{-INPACK}$ delay rising from $\text{-IORD}$	$t_{drINPACK}(\text{IORD})$	$t_{\text{GHIAH}}$	-	45
$\text{-IOIS16}$ delay falling from address	$t_{dfIOIS16}(\text{ADR})$	$t_{\text{AVISL}}$	-	35
$\text{-IOIS16}$ delay rising from address	$t_{drIOIS16}(\text{ADR})$	$t_{\text{AVISH}}$	-	35
Wait Delay Falling from $\text{IORD}$	$t_{dWT}(\text{IORD})$	$t_{\text{IGLWTL}}$	-	35
Data Delay from Wait Rising	$t_d(\text{WT})$	$t_{\text{WTHQV}}$	-	0
Wait pulse width	$t_w(\text{WT})$	$t_{\text{WTLWTH}}$	-	350

Note: Maximum load on  $\text{-WAIT}$ ,  $\text{-INPACK}$ , and  $\text{-IOIS16}$  is 1 LSTTL with 50 pF total load. All times are in nanoseconds. Minimum time from  $\text{-WAIT}$  high to  $\text{-IORD}$  high is 0 nanosecond, but minimum  $\text{-IORD}$  width shall be met.  $D_{out}$  signifies data provided by the CompactFlash Card to the system. Wait pulse width meets PCMCIA specifications of 12 $\mu$ s but is intentionally less in this specification.



**Figure 12: I/O Access Read Timing Diagram**

Table 44: I/O Access Write Timing

Item	Symbol	IEEE Symbol	Min (ns)	Max (ns)
Data setup before – IOWR	tsu(IOWR)	tDVIWH	15	-
Data hold following – IOWR	th(IOWR)	tWHDX	5	-
- IOWR pulse width	tw(IOWR)	tWLIWH	55	-
Address setup before – IOWR	tsuA(IOWR)	tAVIWL	15	-
Address hold following – IOWR	thA(IOWR)	tWHAX	10	-
-CE setup before – IOWR	tsuCE(IOWR)	tELIWL	5	-
-CE hold following – IOWR	thCE(IOWR)	tWHEH	10	-
-REG setup before – IOWR	tsuREG(IOWR)	tRGLIWL	5	-
-REG hold following – IOWR	thREG(IOWR)	tWHRGH	0	-
-IOIS16 delay falling from address	tdfIOIS16(ADR)	tAVISL	-	35
-IOIS16 delay rising from address	tdrIOIS16(ADR)	tAVISH	-	35
Wait Delay Falling from IOWR	tdWT(IOWR)	tWLWTL	-	35
IOWR high from Wait high	tdrIOWR(WT)	tWTJIWH	0	-
Wait pulse width	tw(WT)	tWTLWTH	-	350

Note: Maximum load on –WAIT, –INPACK, and –IOIS16 is 1 LSTTL with 50 pF total load. All times are in nanoseconds. Minimum time from –WAIT high to –IORD high is 0 nanosecond, but minimum –IORD width shall be met. Din signifies data provided by the CompactFlash Card to the system. Wait pulse width meets PCMCIA specifications of 12µs but is intentionally less in this specification.

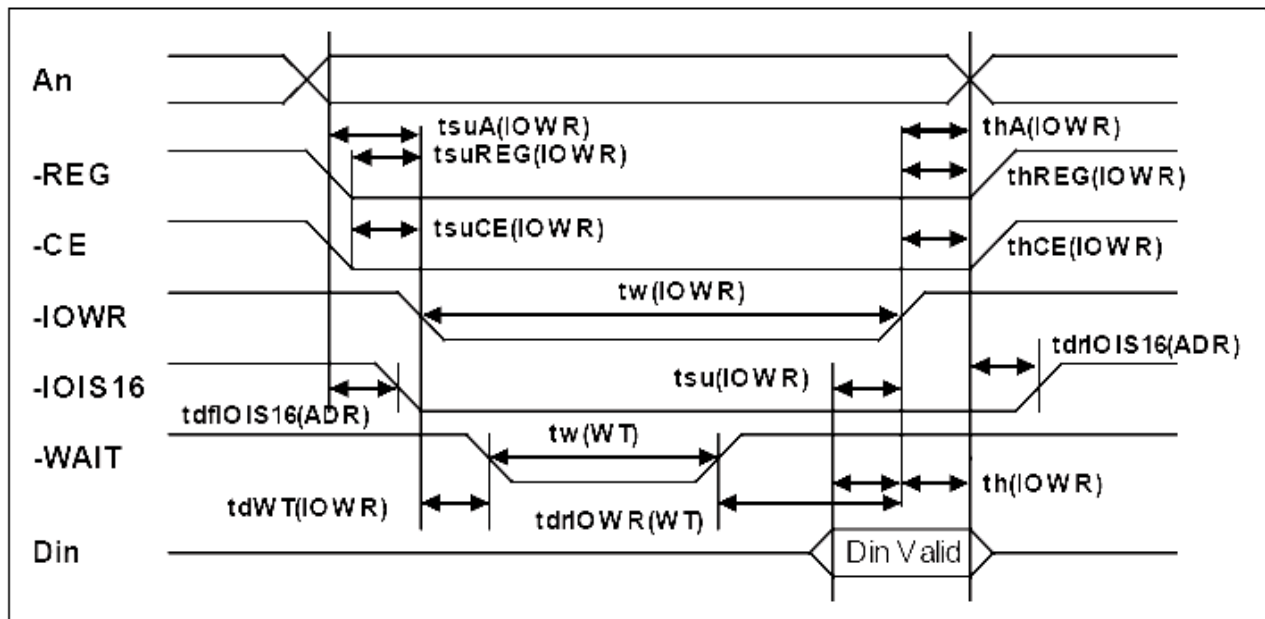
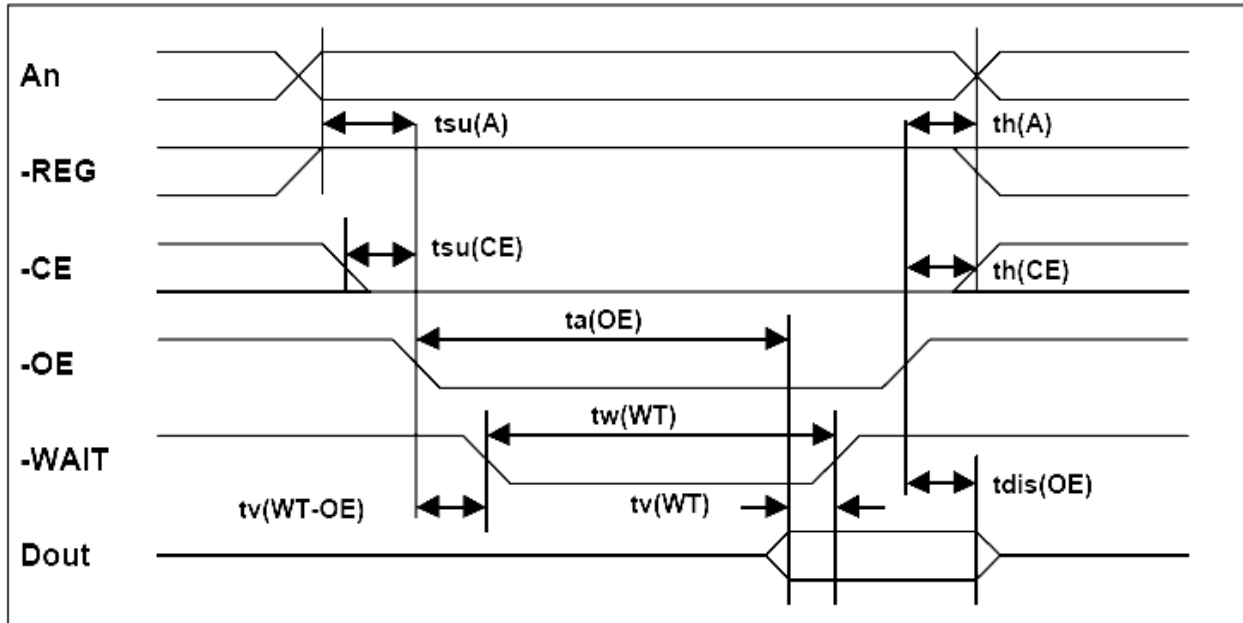


Figure 13: I/O Access Write Timing Diagram

**Table 45: Common Memory Access Read Timing**

Item	Symbol	IEEE Symbol	Min (ns)	Max (ns)
Output Enable access time	ta(OE)	tGLQV	-	45
Output disable time (-OE)	tdis(OE)	tGHQZ	-	45
Address setup time	tsu(A)	tAVGL	10	-
Address hold time	th(A)	tGHAX	10	-
-CE setup time	tsu(CE)	tELGL	0	-
-CE hold time	th(CE)	tGHEH	10	-
Wait Delay Falling from OE	tv(WT-OE)	tGLWTV	-	35
Data Setup for Wait Release	tv(WT)	tQVWTH	-	0
Wait pulse width	tw(WT)	tWTLWTH	-	350

Note: Maximum load on -WAIT is 1 LSTTL with 50 pF total load. All times are in nanoseconds. Dout signifies data provided by the CompactFlash Card to the system. The -WAIT signal may be ignored if the -OE cycle to cycle time is greater than the Wait pulse width. The Wait pulse width meets PCMCIA specifications of 12μs but is intentionally less in this specification.

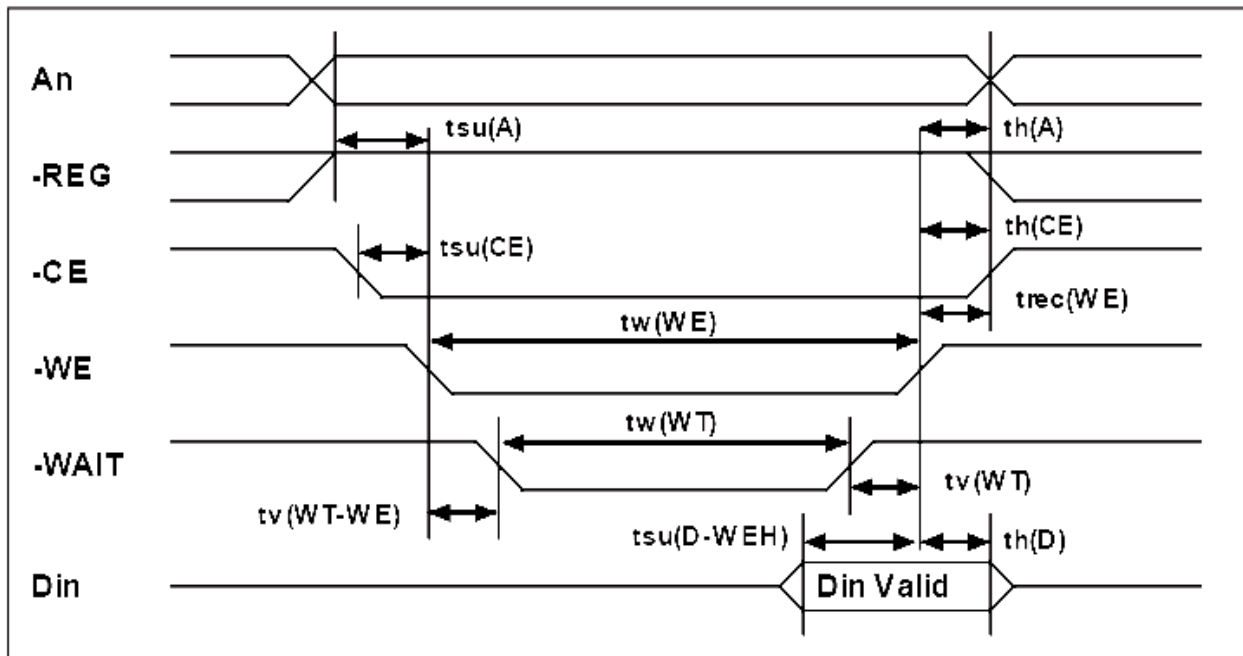


**Figure 14: Common Memory Access Read Timing Diagram**

**Table 46: Common Memory Access Write Timing**

Item	Symbol	IEEE Symbol	Min (ns)	Max (ns)
Data setup time (-WE)	tsu(D-WEH)	tDVWH	20	-
Data hold time	th(D)	tWMDX	10	-
WE pulse time	tw(WE)	tWLWH	70	-
Address setup time	tsu(A)	tAVWL	30	-
-CE setup time	tsu(CE)	tELWL	0	-
Write recover time	trec(WE)	tWMAX	30	-
Address hold time	th(A)	tGHAX	20	-
-CE Hold following WE	th(CE)	tGHEH	20	-
Wait Delay Falling from WE	tv(WT-WE)	tWLWTV	-	35
WE High from Wait Release	tv(WT)	tWTHWH	0	-
Wait pulse width	tw(WT)	tWTLWTH	-	350

Note: Maximum load on -WAIT is 1 LSTTL with 50 pF total load. All times are in nanoseconds. Din signifies data provided by the CompactFlash Card to the system. The -WAIT signal may be ignored if the -WE cycle to cycle time is greater than the Wait pulse width. The Max Wait pulse width can be determined from the Card Information Structure. The Wait pulse width meets PCMCIA specifications of 12µs but is intentionally less in this specification.



**Figure 15: Common Memory Access Write Timing Diagram**



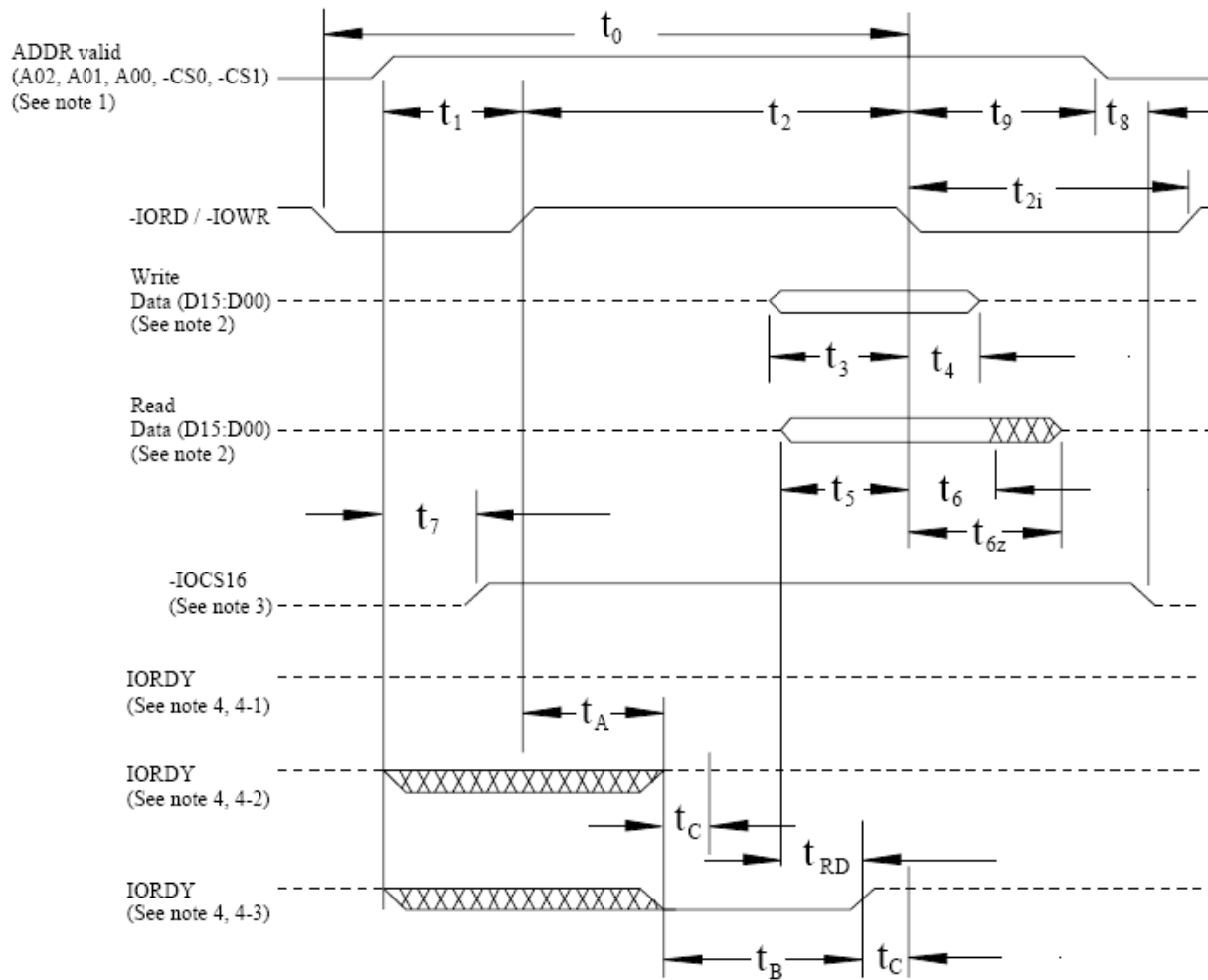
The timing diagram for True IDE mode of operation in this section is drawn using the conventions in the ATA-4 specification, which are different than the conventions used in the PCMCIA specification. Signals are shown with their asserted state as high regardless of whether the signal is actually negative or positive true. Consequently, the  $\text{-IOR}$ , the  $\text{-IOW}$ , and the  $\text{-IOCS16}$  signals are shown in the diagram inverted from their electrical states on the bus.

**Table 47: True IDE Mode PIO Read/Write Timing**

	Item	Mode 0 (ns)	Mode 1 (ns)	Mode 2 (ns)	Mode 3 (ns)	Mode 4 (ns)	Mode 5 (ns)	Mode 6 (ns)	Note
t0	Cycle time (min)	600	383	240	180	120	100	80	1
t1	Address Valid to $\text{-IOR}/\text{-IOW}$ setup (min)	70	50	30	30	10	10	10	
t2	$\text{-IOR}/\text{-IOW}$ (min)	165	125	100	80	55	55	55	1
t2	$\text{-IOR}/\text{-IOW}$ (min) Register (8 bit)	290	290	290	80	55	55	55	1
t2i	$\text{-IOR}/\text{-IOW}$ recovery time (min)	-	-	-	70	20	20	20	1
t3	$\text{-IOW}$ data setup (min)	60	45	30	30	15	15	15	
t4	$\text{-IOW}$ data hold (min)	30	20	15	10	5	5	5	
t5	$\text{-IOR}$ data setup (min)	50	35	20	20	10	10	10	
t6	$\text{-IOR}$ data hold (min)	5	5	5	5	5	5	5	
t6Z	$\text{-IOR}$ data tri-state (max)	30	30	30	30	20	20	20	2
t7	Address valid to $\text{-IOCS16}$ assertion (max)	90	50	40	n/a	n/a	n/a	n/a	4
t8	Address valid to $\text{-IOCS16}$ released (max)	60	45	30	n/a	n/a	n/a	n/a	4
t9	$\text{-IOR}/\text{-IOW}$ to address valid hold	20	15	10	10	10	10	10	
tRD	Read Data Valid to IORDY active (min), if IORDY initially low after tA	0	0	0	0	0	0	0	
tA	IORDY Setup time	35	35	35	35	35	35	35	3
tB	IORDY Pulse Width (max)	1250	1250	1250	1250	1250	1250	1250	
tC	IORDY assertion to release (max)	5	5	5	5	5	5	5	

Notes: The maximum load on  $\text{-IOCS16}$  is 1 LSTTL with a 50 pF total load. All times are in nanoseconds. Minimum time from  $\text{-IORDY}$  high to  $\text{-IOR}$  high is 0 nanosec, but minimum  $\text{-IOR}$  width shall still be met.

- 1) t0 is the minimum total cycle time, t2 is the minimum command active time, and t2i is the minimum command recovery time or command inactive time. The actual cycle time equals the sum of the actual command active time and the actual command inactive time. The three timing requirements of t0, t2, and t2i shall be met. The minimum total cycle time requirement is greater than the sum of t2 and t2i. This means a host implementation can lengthen either or both t2 or t2i to ensure that t0 is equal to or greater than the value reported in the device's identify drive data. A CompactFlash Card implementation shall support any legal host implementation.
- 2) This parameter specifies the time from the negation edge of  $\text{-IOR}$  to the time that the data bus is no longer driven by the CompactFlash Card (tri-state).
- 3) The delay from the activation of  $\text{-IOR}$  or  $\text{-IOW}$  until the state of IORDY is first sampled. If IORDY is inactive then the host shall wait until IORDY is active before the PIO cycle can be completed. If the CompactFlash Card is not driving IORDY negated at tA after the activation of  $\text{-IOR}$  or  $\text{-IOW}$ , then t5 shall be met and tRD is not applicable. If the CompactFlash Card is driving IORDY negated at the time tA after the activation of  $\text{-IOR}$  or  $\text{-IOW}$ , then tRD shall be met and t5 is not applicable.
- 4) t7 and t8 apply only to modes 0, 1 and 2. For other modes, this signal is not valid.



Notes:

- (1) Device address consists of  $\overline{\text{CS0}}$ ,  $\overline{\text{CS1}}$ , and A[02::00]
- (2) Data consists of D[15::00] (16-bit) or D[07::00] (8-bit)
- (3)  $\overline{\text{IOCS16}}$  is shown for PIO modes 0, 1 and 2. For other modes, this signal is ignored.
- (4) The negation of IORDY by the device is used to extend the PIO cycle. The determination of whether the cycle is to be extended is made by the host after  $t_A$  from the assertion of  $\overline{\text{IORD}}$  or  $\overline{\text{IOWR}}$ . The assertion and negation of IORDY is described in the following three cases:
  - (4-1) Device never negates IORDY: No wait is generated.
  - (4-2) Device starts to drive IORDY low before  $t_A$ , but causes IORDY to be asserted before  $t_A$ : No wait generated.
  - (4-3) Device drives IORDY low before  $t_A$ : wait generated. The cycle completes after IORDY is reasserted. For cycles where a wait is generated and  $\overline{\text{IORD}}$  is asserted, the device shall place read data on D15-D00 for  $t_{RD}$  before causing IORDY to be asserted.

**ALL WAVEFORMS IN HIS DIAGRAM ARE SHOWN WITH THE ASSERTED STATE HIGH.  
 NEGATIVE TRUE SIGNALS APPEAR INVERTED ON THE BUS RELATIVE TO THE DIAGRAM.**

**Figure 16: True IDE Mode PIO Timing Diagram**

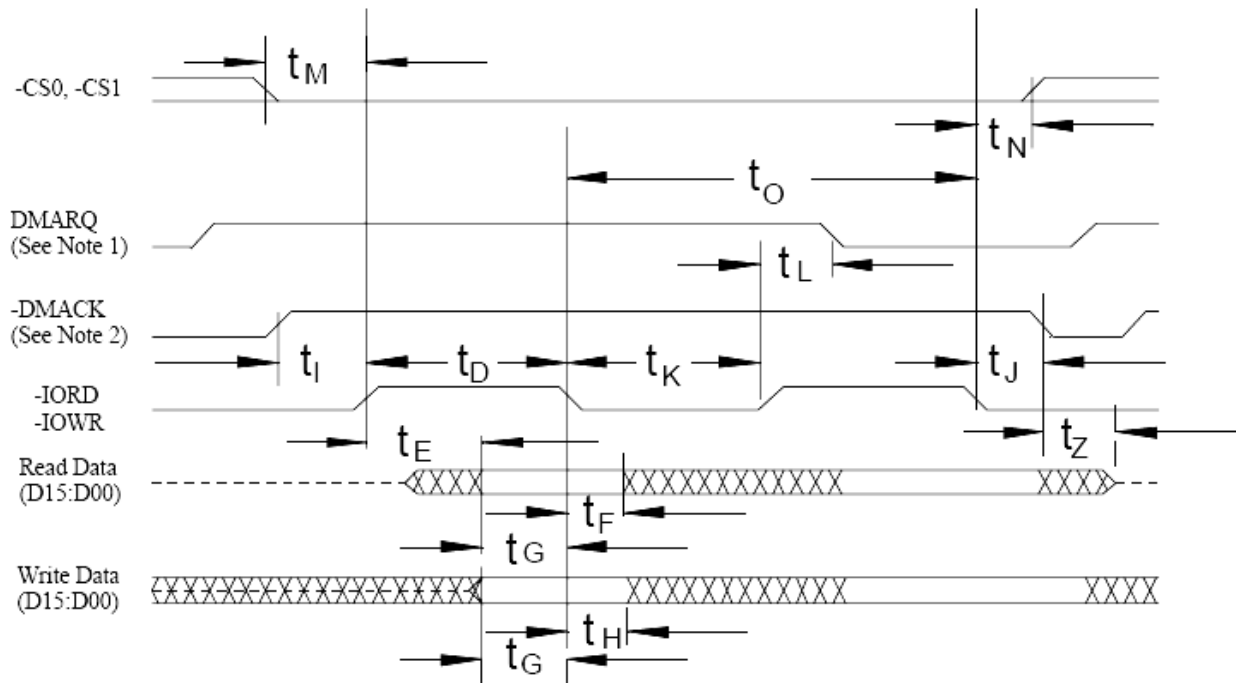
The timing diagram for True IDE MDMA mode of operation in this section is drawn using the conventions in the ATA-4 specification, which are different than the conventions used in the PCMCIA specification. Signals are shown with their asserted state as high regardless of whether the signal is actually negative or positive true. Consequently, the  $\text{-IOR}$ , the  $\text{-IOWR}$ , and the  $\text{-IOCS16}$  signals are shown in the diagram inverted from their electrical states on the bus.

**Table 48: True IDE MDMA Mode I/O Read/Write Timing**

	Item	Mode 0 (ns)	Mode 1 (ns)	Mode 2 (ns)	Mode 3 (ns)	Mode 4 (ns)	Note
$t_O$	Cycle time (min)	480	150	120	100	80	1
$t_D$	$\text{-IOR}/\text{-IOWR}$ asserted width (min)	215	80	70	60	55	1
$t_E$	$\text{-IOR}$ data access (max)	150	60	50	45	45	
$t_F$	$\text{-IOR}$ data hold (min)	5	5	5	5	5	
$t_G$	$\text{-IOR}/\text{-IOWR}$ data setup (min)	100	30	20	10	10	
$t_H$	$\text{-IOWR}$ data hold (min)	20	15	10	5	5	
$t_I$	DMACK to $\text{-IOR}/\text{-IOWR}$ setup (min)	0	0	0	0	0	
$t_J$	$\text{-IOR}/\text{-IOWR}$ to $\text{-DMACK}$ hold (min)	20	5	5	5	5	
$t_{KR}$	$\text{-IOR}$ negated width (min)	50	50	25	20	20	1
$t_{KW}$	$\text{-IOWR}$ negated width (min)	215	50	25	20	20	1
$t_{LR}$	$\text{-IOR}$ to DMARQ delay (max)	120	40	35	35	35	
$t_{LW}$	$\text{-IOWR}$ to DMARQ delay (max)	40	40	35	35	35	
$t_M$	CS(1:0) valid to $\text{-IOR}/\text{-IOWR}$	50	30	25	10	5	
$t_N$	CS(1:0) hold	15	10	10	10	10	
$t_Z$	$\text{-DMACK}$	20	25	25	25	25	

Notes:

- 1)  $t_O$  is the minimum total cycle time and  $t_D$  is the minimum command active time, while  $t_{KR}$  and  $t_{KW}$  are the minimum command recovery time or command inactive time for input and output cycles respectively. The actual cycle time equals the sum of the actual command active time and the actual command inactive time. The three timing requirements of  $t_O$ ,  $t_D$ ,  $t_{KR}$ , and  $t_{KW}$  shall be met. The minimum total cycle time requirement is greater than the sum of  $t_D$  and  $t_{KR}$  or  $t_{KW}$  for input and output cycles respectively. This means a host implementation can lengthen either or both of  $t_D$  and either of  $t_{KR}$ , and  $t_{KW}$  as needed to ensure that  $t_O$  is equal to or greater than the value reported in the device's identify drive data. A CompactFlash Card implementation shall support any legal host implementation.



Notes:

- (1) If the Card cannot sustain continuous, minimum cycle time DMA transfers, it may negate DMARQ within the time specified from the start of a DMA transfer cycle to suspend the DMA transfers in progress and reassert the signal at a later time to continue the DMA operation
- (2) This signal may be negated by the host to suspend the DMA transfer in progress.

**ALL WAVEFORMS IN HIS DIAGRAM ARE SHOWN WITH THE ASSERTED STATE HIGH. NEGATIVE TRUE SIGNALS APPEAR INVERTED ON THE BUS RELATIVE TO THE DIAGRAM.**

**Figure 17: True IDE MDMA Mode I/O Timing Diagram**

### 3.3.2. True-IDE UDMA Mode Read and Write Characteristics

UDMA makes it possible to transfer data between host and device at higher rates. Ultra DMA uses Cyclical Redundancy Checking, offering a high level of data protection. This CompactFlash supports Ultra DMA mode 4, and achieving a data transfer rate up to 66 MByte/sec.

The interface timing in the True-IDE UDMA modes is not only depending on the interface hardware, but also on the correct setup of the UDMA registers in the firmware, according to the UDMA transfer mode selected by the host. With a correct register setup, the interface timing complies to the UDMA Mode 0 to Mode 4 timing specifications of the CF Specification Revision 3.0, and to the UDMA Mode 0 to Mode 4 timing specifications of the ATA/ATAPI-6 Standard.

### 3.4 Reset Characteristics (Memory Card Mode & I/O Card Mode)

Table 49: Hard Reset Characteristics

Parameter	Symbol	Min	Typ	Max	Unit
Reset setup time	tsu(RESET)	100	-	-	ms
-CE recover time	trec(VCC)	1	-	-	μs
VCC rising up time	tpr	0.1	-	100	ms
VCC falling down time	tpf	3	-	300	ms
Reset pulse width	tw(RESET)	10	-	-	μs
	th(Hi-Z RESET)	1	-	-	ms
	ts(Hi-Z RESET)	0	-	-	ms

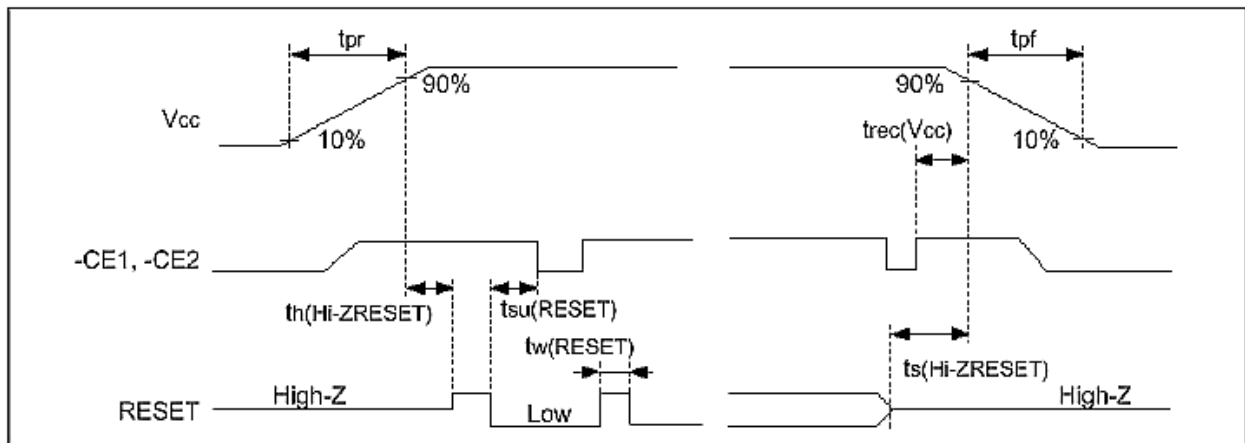


Figure 18: Hard Reset Timing

Table 50: Power on Reset Characteristics

Parameter	Symbol	Min	Typ	Max	Unit
-CE setup time	tsu(VCC)	100	-	-	ms
VCC rising up time	tpr	0.1	-	100	ms

NOTE:

- All card status is reset automatically when Vcc goes over 2.3V.

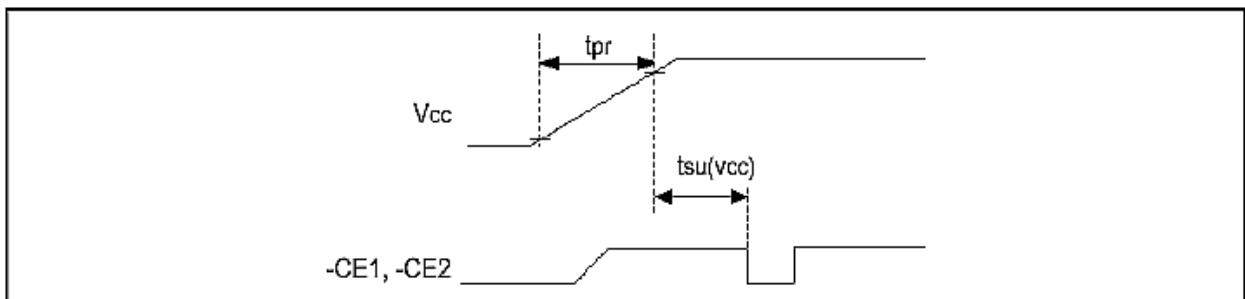


Figure 19: Power on Reset Timing

### **3.5 User Notes**

In the reset or power off, all register information is cleared. All card status is cleared automatically when Vcc voltage turns below about 2.5V. Notice that the card insertion/removal should not be executed when host is active in True IDE Mode. After card hard reset, soft reset, power-on reset, or ATA reset, the card cannot be operated until +RDY/-BSY pin is moved from “low”. Notice that the card removal should be executed after card internal operations are completed. Before the card insertion, Vcc cannot be supplied to the card. After confirmation that –CD1, -CD2 pins are inserted, supply Vcc to the card. –OE must be kept at the Vcc level during power on reset in memory card mode and I/O card mode. –OE must be kept constantly at the GND level in True IDE Mode.

## 4.0 Physical Specifications

Table 51: Physical Specifications

<b>Weight:</b>	11.4 g (0.40 oz) typical, 14.2 g (0.50 oz) maximum
<b>Length:</b>	36.40 ± 0.15 mm (1.433 ± 0.006 in)
<b>Width:</b>	42.80 ± 0.10 mm (1.685 ± 0.004 in)
<b>Thickness:</b>	3.3 ± 0.10 mm (0.13 ± 0.004 in) – Excluding Lip

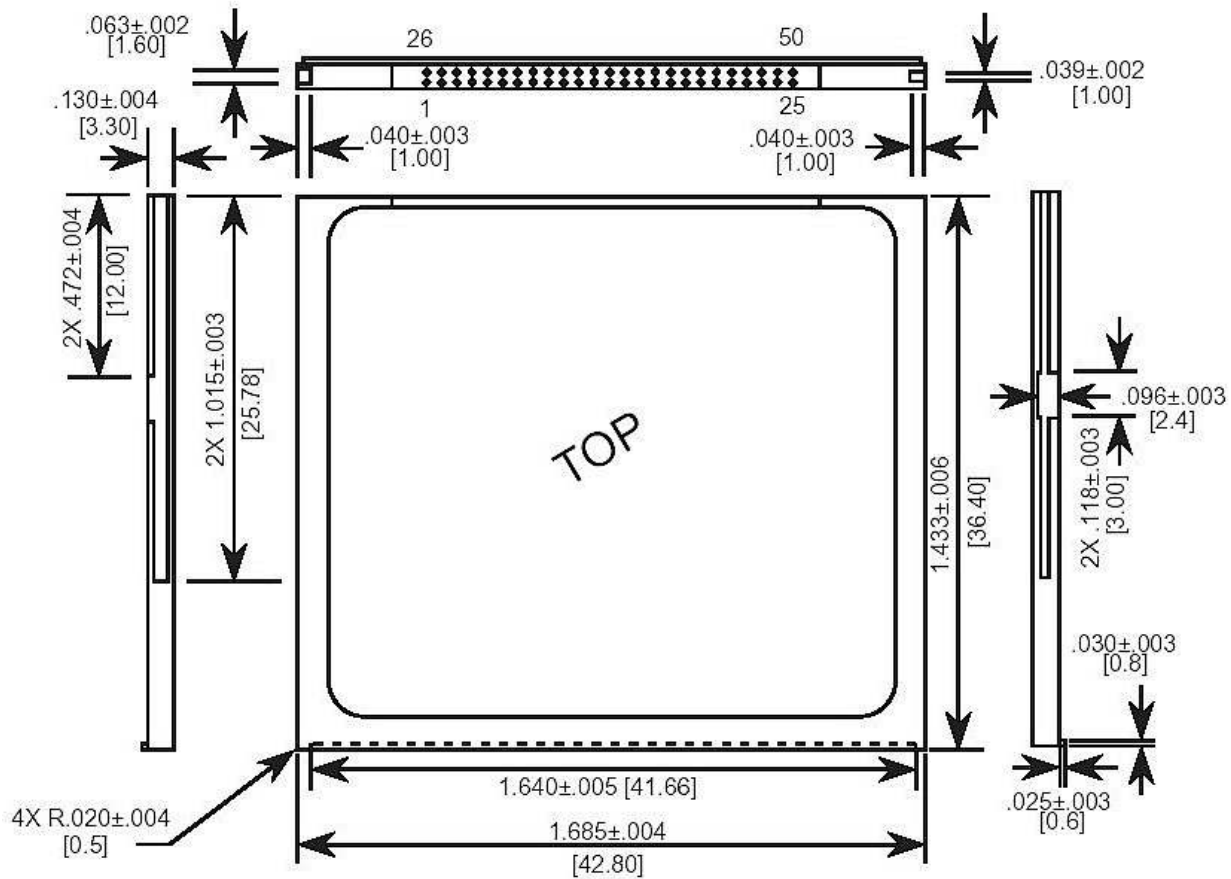
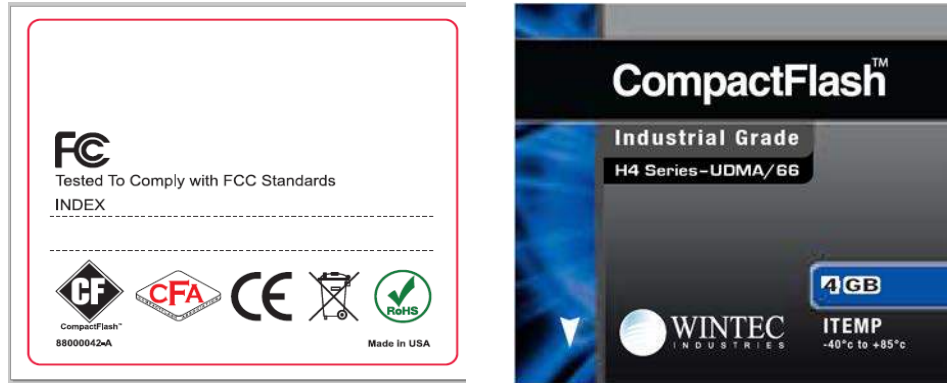


Figure 20: Physical Dimensions

## 4.1 Labeling and Marking



**Figure 21 & 22 CF Card Back and Front Labels**

The standard labels used for Wintec Industrial CF cards are shown in figs 21 & 22. The front label will indicate the capacity of the card and will indicate if the card is Industrial Temperature (no marking if not). The back label will contain the various logos indicating compliance with appropriate bodies and regulations. The back label will also be inked in marked area with the part number and lot numbers of the cards. Customized labeling is available upon request.



## 5.0 Ordering Information

Card Capacity	Part Number	Real Capacity	Total Sectors/Card (Max LBA+1)	Cylinders	Heads	Sectors
<b>256 MB</b>	W7CF256M1vA(I)-H41xx-yyy.zz	262,930,432	513,536	1,003	16	32
<b>512 MB</b>	W7CF512M1vA(I)-H41xx-yyy.zz	526,417,920	1,028,160	1,020	16	63
<b>1 GB</b>	W7CF001G1vA(I)-H41xx-yyy.zz	1,054,900,224	2,060,352	2,044	16	63
<b>2 GB</b>	W7CF002G1vA(I)-H41xx-yyy.zz	2,118,057,984	4,136,832	4,104	16	63
<b>4 GB</b>	W7CF004G1vA(I)-H41xx-yyy.zz	4,244,889,600	8,290,800	8,225	16	63
<b>8 GB</b>	W7CF008G1vA(I)-H41xx-yyy.zz	8,455,200,768	16,435,440	16,305	16	63
<b>16 GB</b>	W7CF016G1vA(I)-H41xx-yyy.zz	TBA	32,014,080	31760	16	63
<b>32 GB</b>	W7CF032G1vA(I)-H41xx-yyy.zz	TBA	TBA	TBA	TBA	TBA

**NOTE:**

1. Total Sectors/Card = Sectors/Track \* # Heads \* # Cylinders
2. Real Capacity = The logical address capacity including the area used for file system and controller overhead.
3. Cards default with UDMA enabled. For DMA Disabled use "H40Px" Suffix.
4. (I) denotes Industrial Temperature option, leave blank for standard Commercial Temp.
5. The above table lists default C/H/S values for each density. Custom configurations are denoted by the W8CF prefix along with a unique three digit suffix.

(v) **Disk/Interface Options**

- X** : Removable Disk True IDE Capable
- T** : Fixed Disk True IDE
- D** : Dual ID Mode

(x) **Component Flash Vendor and IC Die Revision**

- |                   |            |        |                     |
|-------------------|------------|--------|---------------------|
| <b>P: Samsung</b> | <b>A</b> : | A- die | <b>For Toshiba,</b> |
| <b>M: Micron</b>  | <b>B</b> : | B- die | <b>E:</b> 43nm      |
| <b>T: Toshiba</b> | <b>C</b> : | C- die | <b>F:</b> 32nm      |
|                   | <b>D</b> : | D- die |                     |

(yyy) **Component Flash type**

- 001: 1-Nand Flash chip
- 01D: 1-Nand, Dual Die, 1-CE
- 1D2: 1-Nand, Dual Die, 2-CE
- 1Q2: 1-Nand, Quad Die, 2-CE
- 002: 2-Nand Flash chips
- 02D: 2-Nand, Dual Die, 1-CE
- 2D2: 2-Nand, Dual Die, 2-CE
- 2Q2: 2-Nand, Quad Die, 2-CE
- 04D: 4-Nand, Dual Die, 1-CE
- 4D2: 4-Nand, Dual Die, 2-CE
- 4Q2: 4-Nand, Quad Die, 2-CE

(zz) **Firmware Options**

- 01 : 090721a
- 02 : 090904
- 03 : 091110a
- 04 / A4 : 101130
- A5 : 110301
- A6 : 121107

**Firmware Revision/Options (Optional)**

Please contact the factory for the latest firmware revisions and/or custom labeling and programming identification.

**Contact Information:**

Wintec Industries Inc.  
675 Sycamore Drive  
Milpitas, CA 95035 USA  
Tel: (408) 856-0500 (main)  
Fax: (408) 856-0501  
Email: [TechSupport@wintecind.com](mailto:TechSupport@wintecind.com)  
URL: <http://www.wintecind.com/oem>

**About Wintec Industries, Inc.:**

Wintec Industries, Inc, founded in 1988, is headquartered in Milpitas, California. Wintec, an ODM/OEM solution provider, specializes in product designs and manufacturing, including Flash modules (CF, SD, USB, embedded Flash, etc), DRAM modules (FBDIMM, RDIMM, SODIMM, UDIMM), wireless products, modem products (embedded, USB), Advanced Digital Display products (ADD2 DVI, HDMI, digital signage), and so on. With experienced engineering team in Silicon Valley, Wintec provides a wide range of services and solutions for customers. Wintec is ISO9001-certified.

**Important Notice:**

Wintec Industries, Inc. makes no representations or warranties with respect to the contents of this User Guide and specifically disclaims any implied warranties of any product design for any particular purpose. Wintec Industries, Inc. reserves the rights to revise this publication and to make changes from time to time in the content hereof without obligation of Wintec Industries, Inc. to notify any person or organization of such revisions or changes.