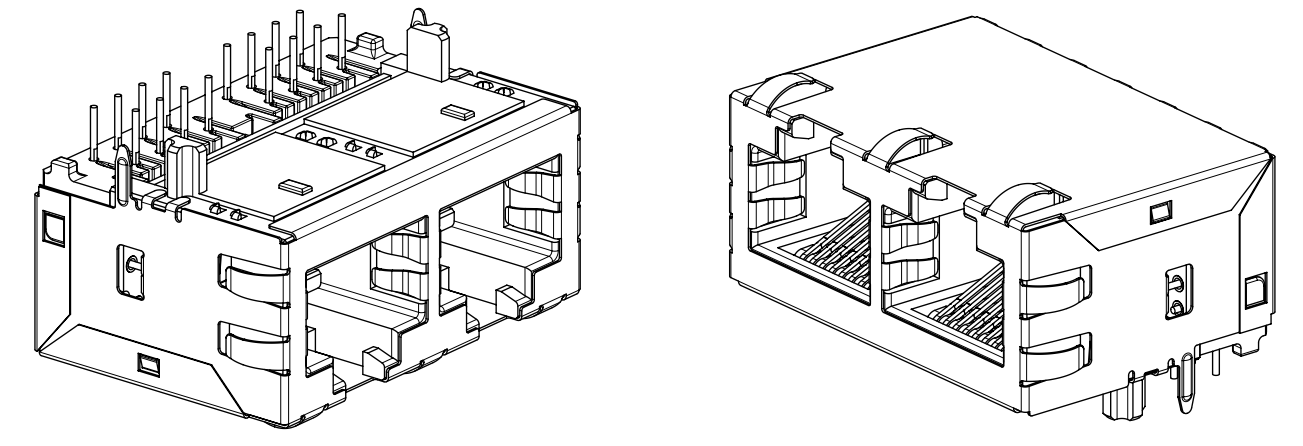
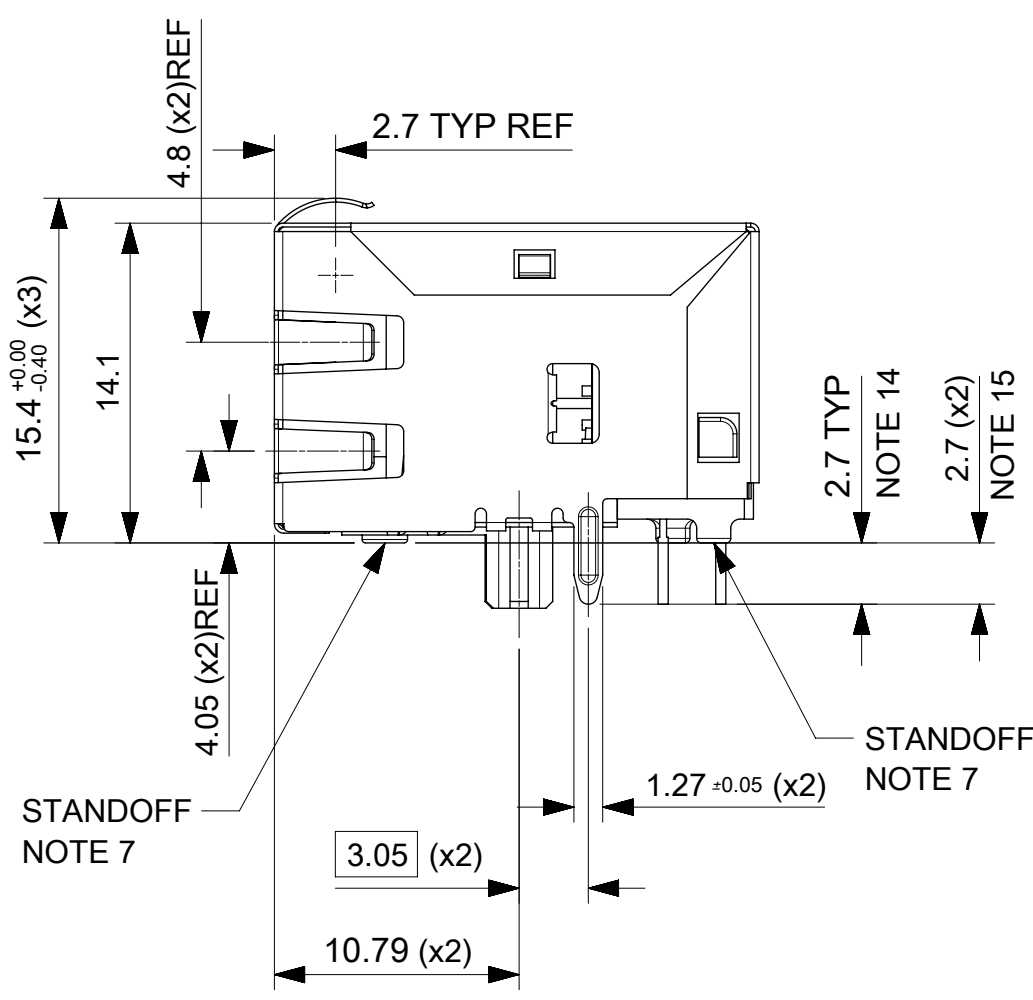
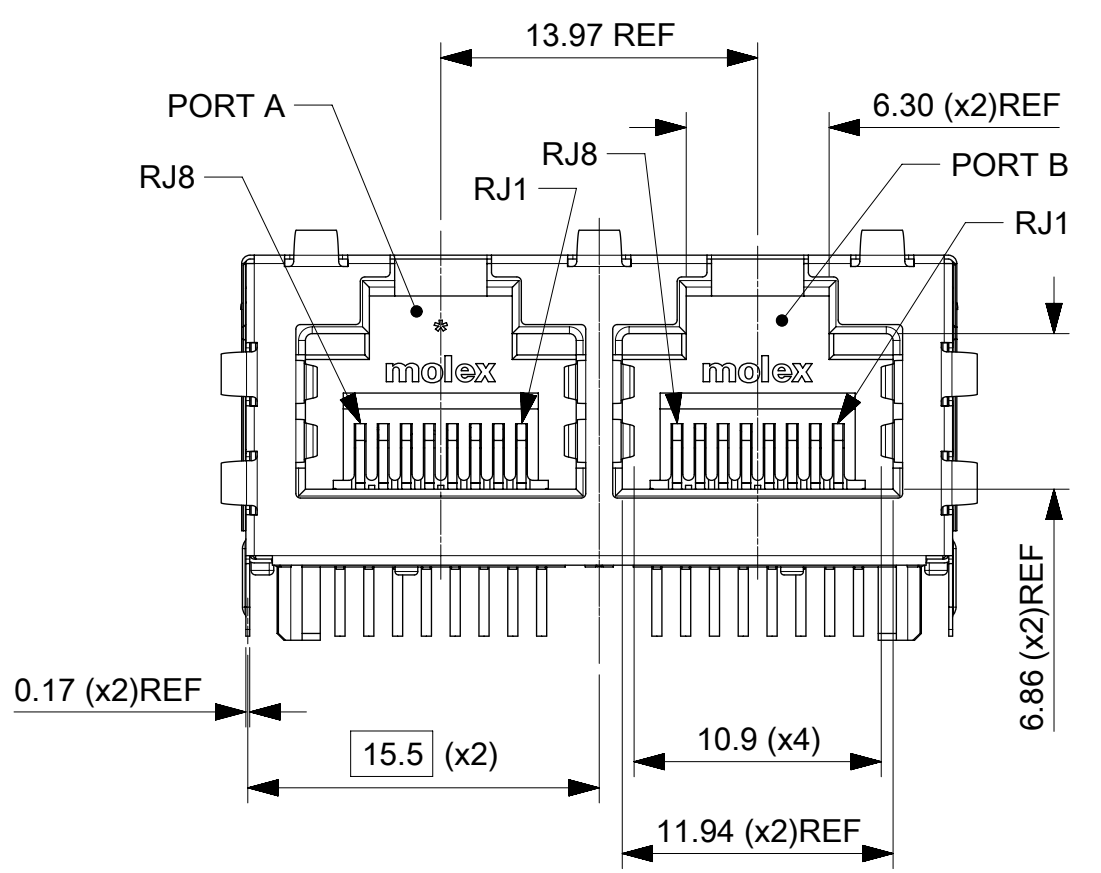


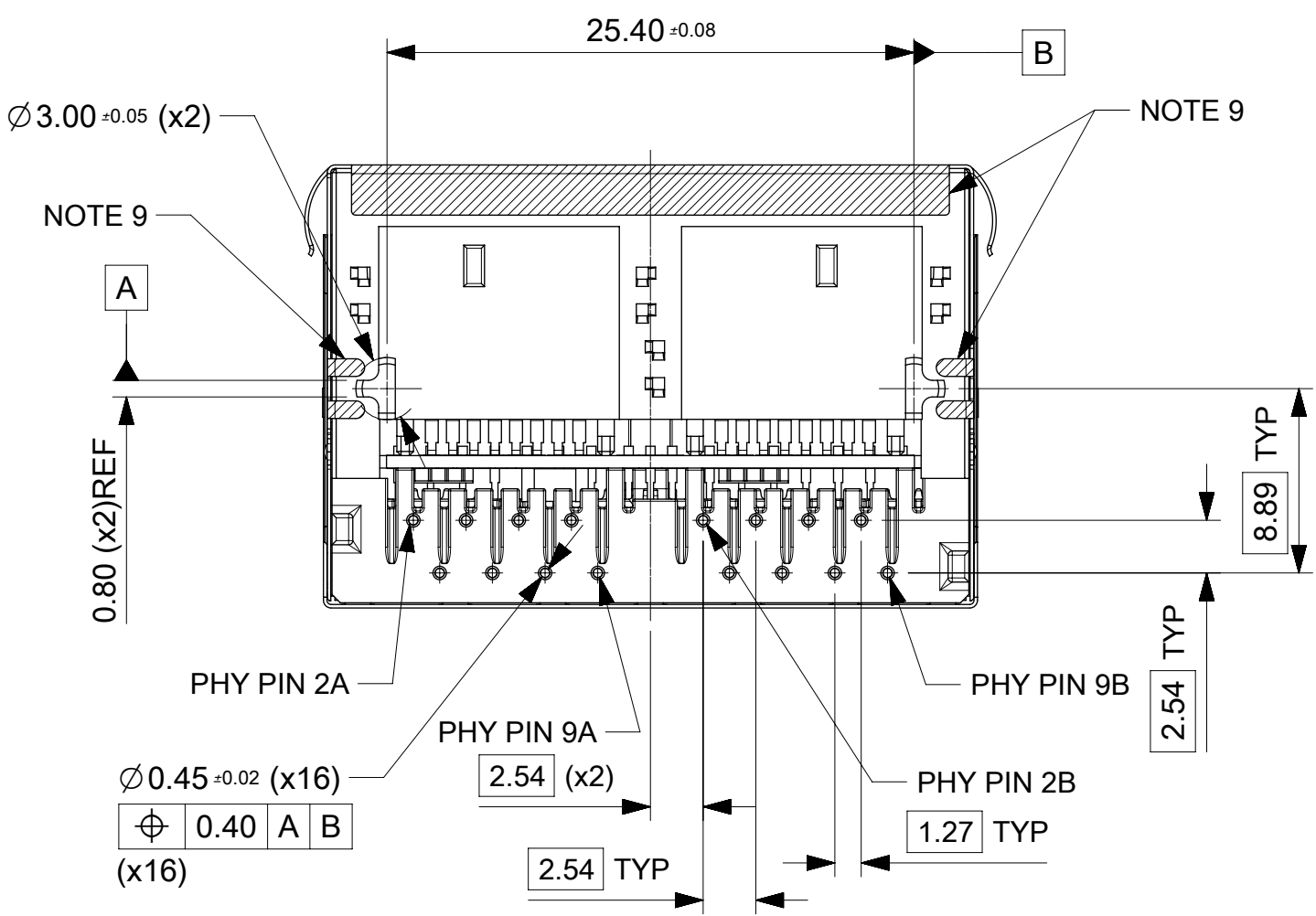
PART NUMBER 938243020



INVERTED PROFILE DUAL PORT MAGNETIC JACK
FAST ETHERNET
WITH SHIELD TABS

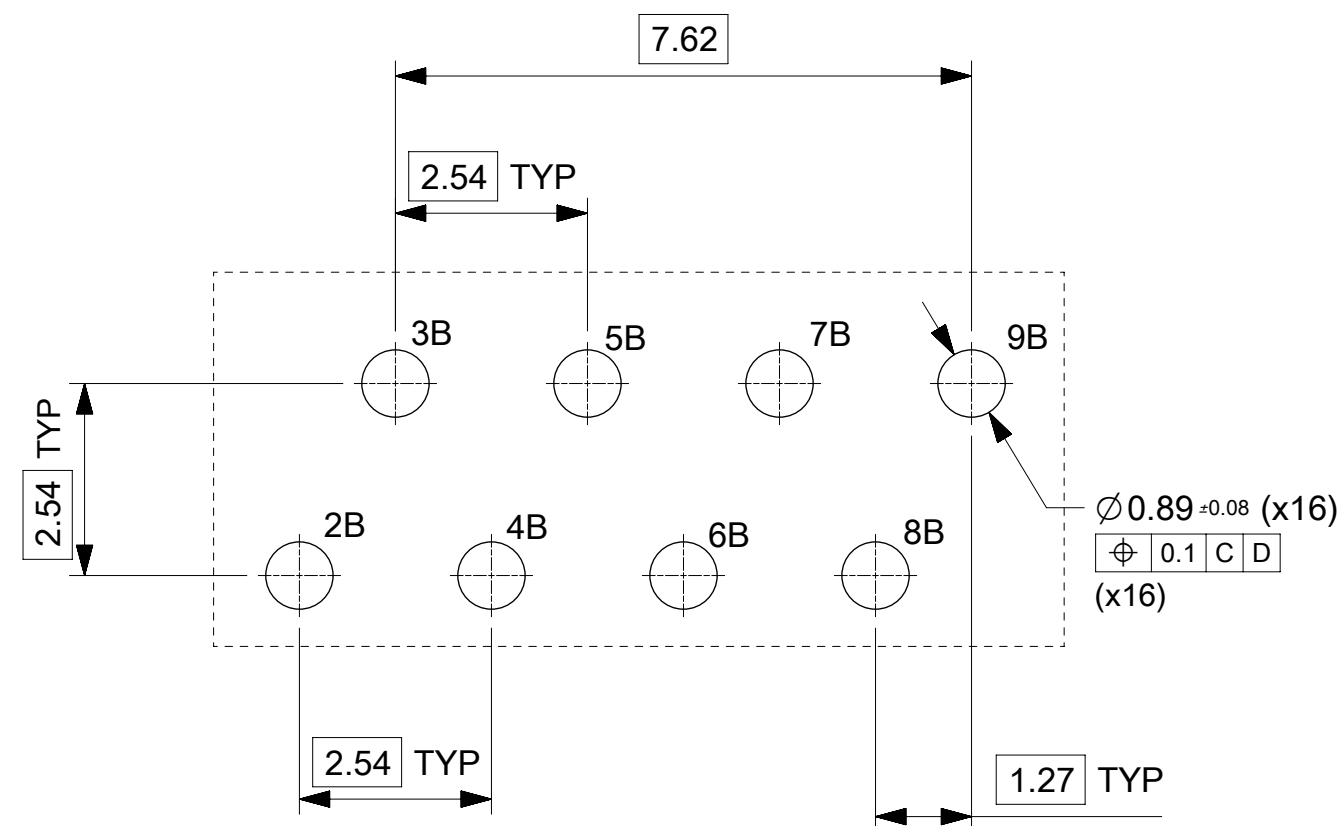
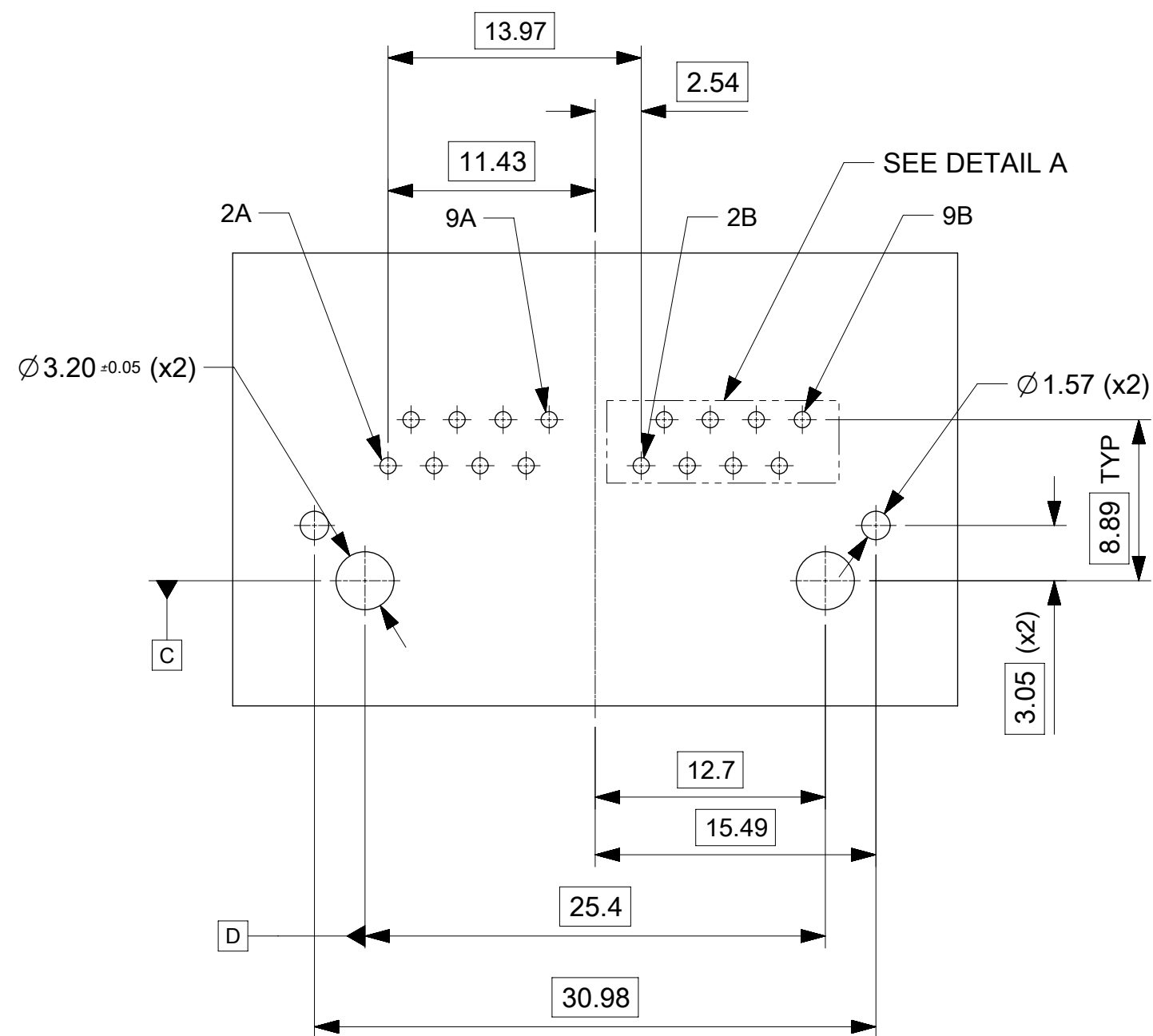


- NOTES:
- SHIELD MATERIAL: 0.17 mm THICK BRASS PRE-PLATED WITH NICKEL
SOLDER TABS POST DIPPED WITH MIN. 1.27 μm TIN
 - HOUSING MATERIAL: LCP, BLACK, UL 94V-0
 - TERMINALS MATERIAL: PHOSPHOR BRONZE
RJ45 CONTACTS PLATING: BASE NICKEL PLATED WITH GOLD
FLASH OVER PALLADIUM NICKEL. REFER TO 934620001 PSP
PHY SOLDER TAILS: COPPER ALLOY
 - MATING INTERFACE ACCORDING TO IEC 60603-7 & TIA-1096-A
 - PRODUCT SPECIFICATION: 934620001 PSP
 - PACKAGING SPECIFICATION: 938240001 PSK TRAY
 - STAND OFF TO SYSTEM BOARD 0.30 mm MIN
 - RECOMMENDED PCB THICKNESS: 1.6 mm
 - SHIELD: AVOID ROUTING TRACES
OR PLACING ANY VIAS BELOW THESE AREAS.
 - FE VERSIONS DO NOT HAVE PINS 1A, 10A, 1B, 10B
 - MATERIAL COMPLIANT TO RoHS DIRECTIVE 2002/95/EC
 - INSCRIPTION MARKED BY LASER:
1st: MOLEX
2nd: PART NUMBER
 - INSCRIPTION MARKED BY LASER:
DATE CODE (DAY/WEEK/YEAR)
 - PHY PIN LENGTH
 - SHIELD SOLDER TAB LENGTH

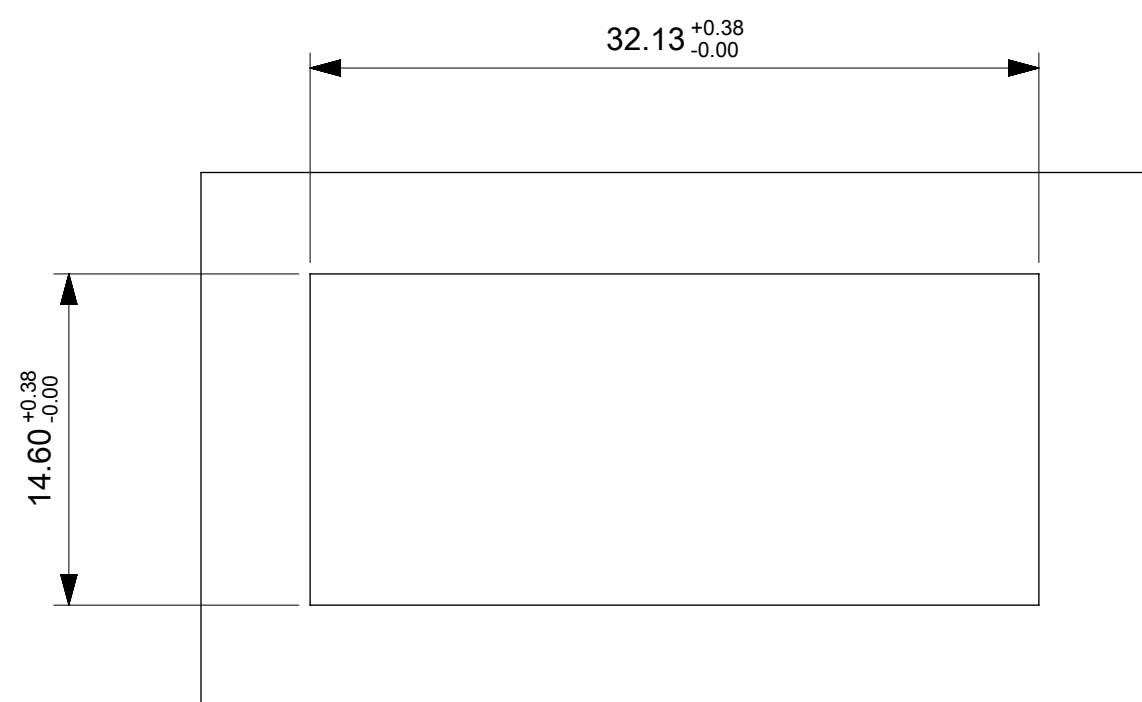


THIS DRAWING CONTAINS INFORMATION THAT IS PROPRIETARY TO MOLEX ELECTRONIC TECHNOLOGIES, LLC AND SHOULD NOT BE USED WITHOUT WRITTEN PERMISSION											
ORIGINAL RELEASE EC NO: 123046 DRWN: DSHEA CHKD: SMCGRVEVY REV: APPR: DBYRNES	2017/10/17	2017/10/23	2017/11/07	GENERAL TOLERANCES (UNLESS SPECIFIED)	DIMENSION UNITS	SCALE					
				mm	3:1						
				ANGULAR TOL ± 2.0 °	DRWN BY	DATE					
				4 PLACES ±	DSHEA	2017/05/19					
			3 PLACES ±	CHK'D BY	DATE	MXMAG DUAL PORT 4C FE COMMERCIAL W/O LED PRODUCT CUSTOMER DRAWING SERIES: 93824 MATERIAL NUMBER: SEE CHART CUSTOMER: GENERAL MARKET DOCUMENT NUMBER: 938240002 DOC TYPE: PSD DOC PART: 000 SHEET NUMBER: 1 OF 3					
			2 PLACES ± 0.1	SMCGRVEVY	2017/10/23						
			1 PLACE ± 0.2	APPR BY	DATE						
			0 PLACES ±	DBYRNES	2017/11/07						
DRAFT WHERE APPLICABLE MUST REMAIN WITHIN DIMENSIONS				DRAWING SIZE	THIRD ANGLE PROJECTION						
A				A2							

RECOMMENDED PCB LAYOUT
 FE VERSION W/O LED
 COMPONENT SIDE
 ALL DIMENSIONS REF DIMENSIONS



DETAIL A
 SCALE 10:1



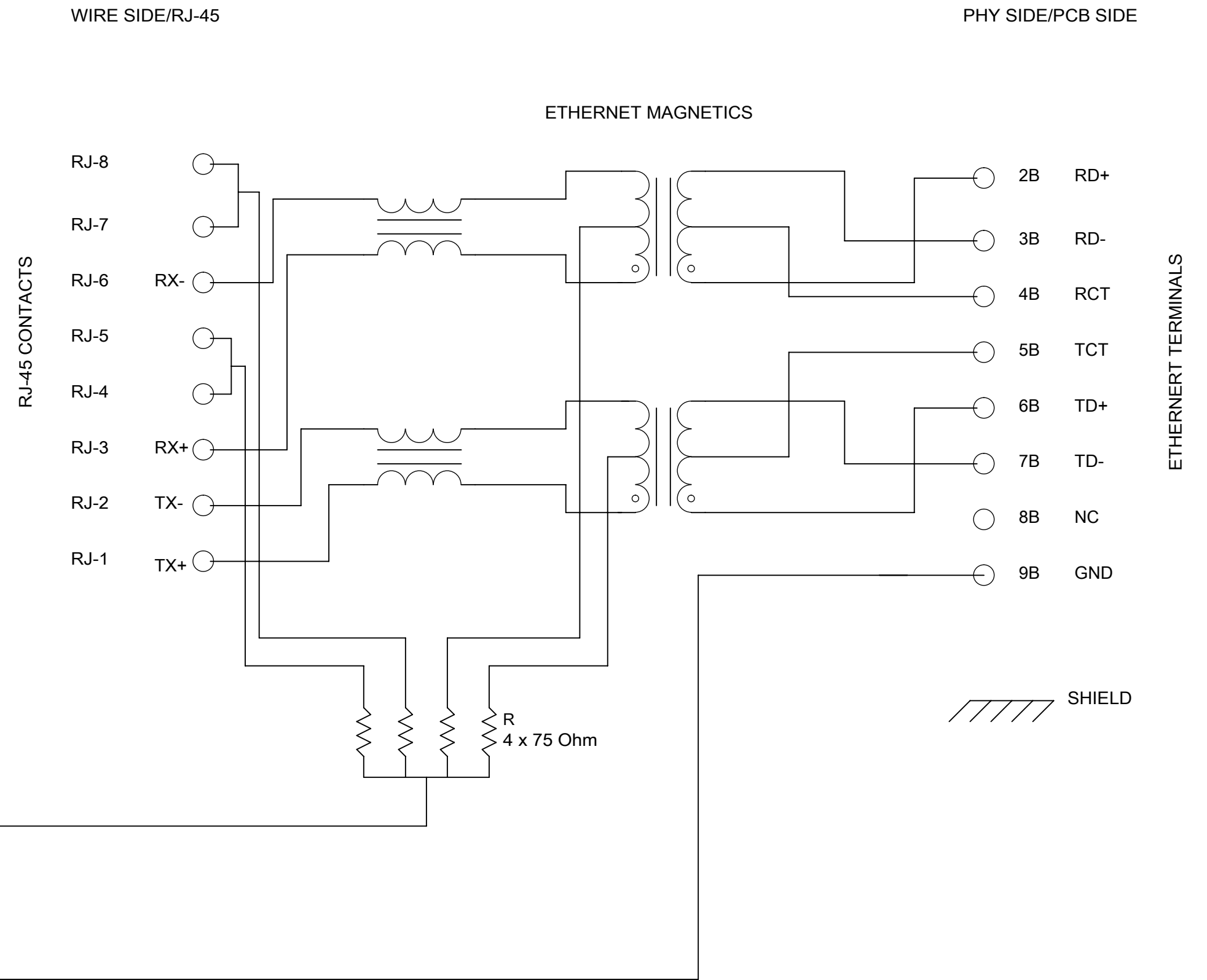
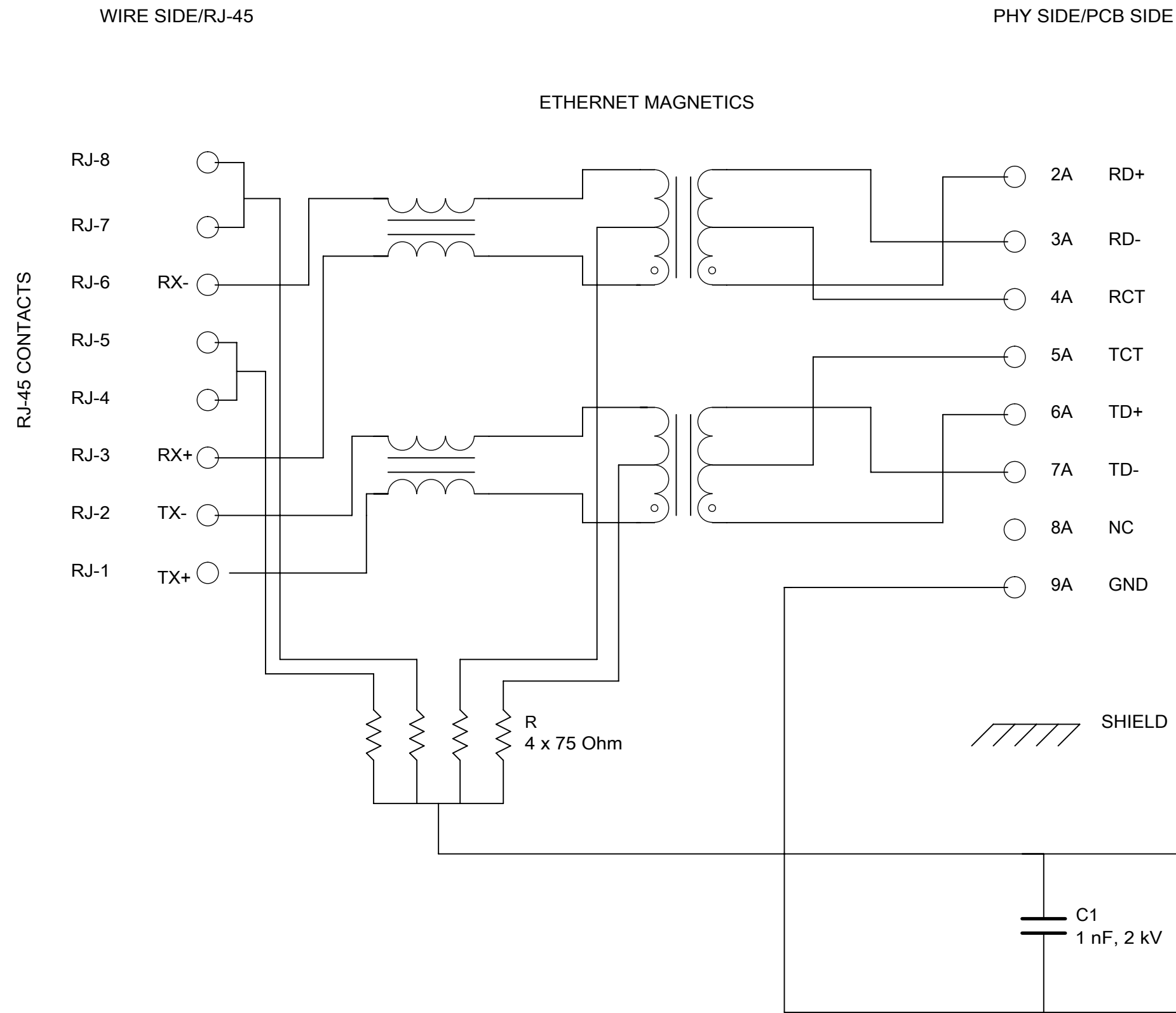
SUGGESTED PANEL CUTOUT

THIS DRAWING CONTAINS INFORMATION THAT IS PROPRIETARY TO MOLEX ELECTRONIC TECHNOLOGIES, LLC AND SHOULD NOT BE USED WITHOUT WRITTEN PERMISSION

ORIGINAL RELEASE EC NO: 123046 DRWN: DSHEA CHKD: SMCGREEVY REV: A	2017/10/17	2017/10/23	2017/11/07	GENERAL TOLERANCES (UNLESS SPECIFIED)	DIMENSION UNITS	SCALE	
	2017/10/17	2017/10/23	2017/11/07	ANGULAR TOL ± 2.0 °	mm	3:1	
	4 PLACES	±		DRWN BY	DATE		
	3 PLACES	±		DSHEA	2017/05/19		
	3 PLACES	±		CHK'D BY	DATE		
2 PLACES	±	0.1	SMCGREEVY	2017/10/23		MXMAG DUAL PORT 4C FE COMMERCIAL W/O LED PRODUCT CUSTOMER DRAWING	
1 PLACE	±	0.2	APPR BY	DATE			
0 PLACES	±		DBYRNES	2017/11/07			
DRAFT WHERE APPLICABLE MUST REMAIN WITHIN DIMENSIONS				DRAWING SIZE	THIRD ANGLE PROJECTION		SERIES: 93824 MATERIAL NUMBER: SEE SHEET 1 CUSTOMER: GENERAL MARKET
				A2			DOCUMENT NUMBER: 938240002 DOC TYPE: PSD DOC PART: 000 SHEET NUMBER: 2 OF 3

PORT A

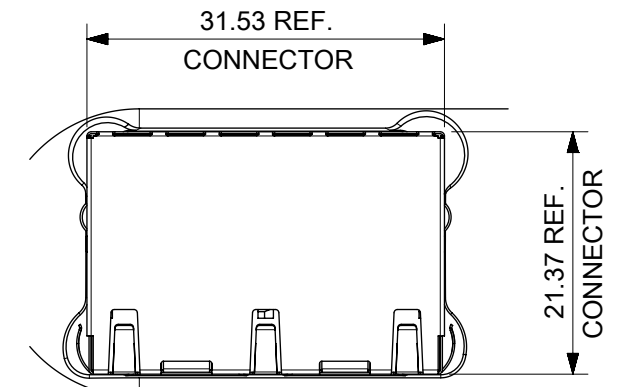
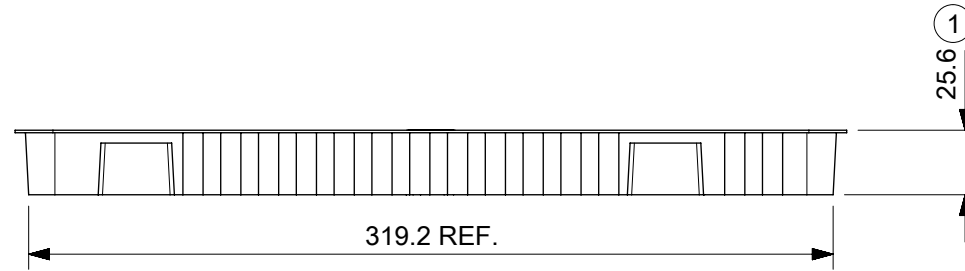
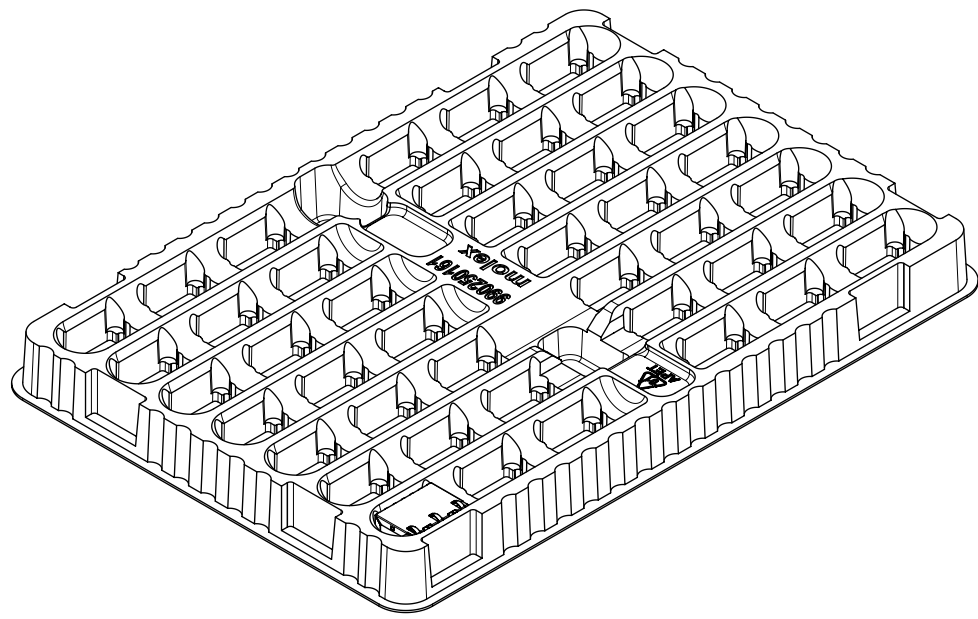
PORT B



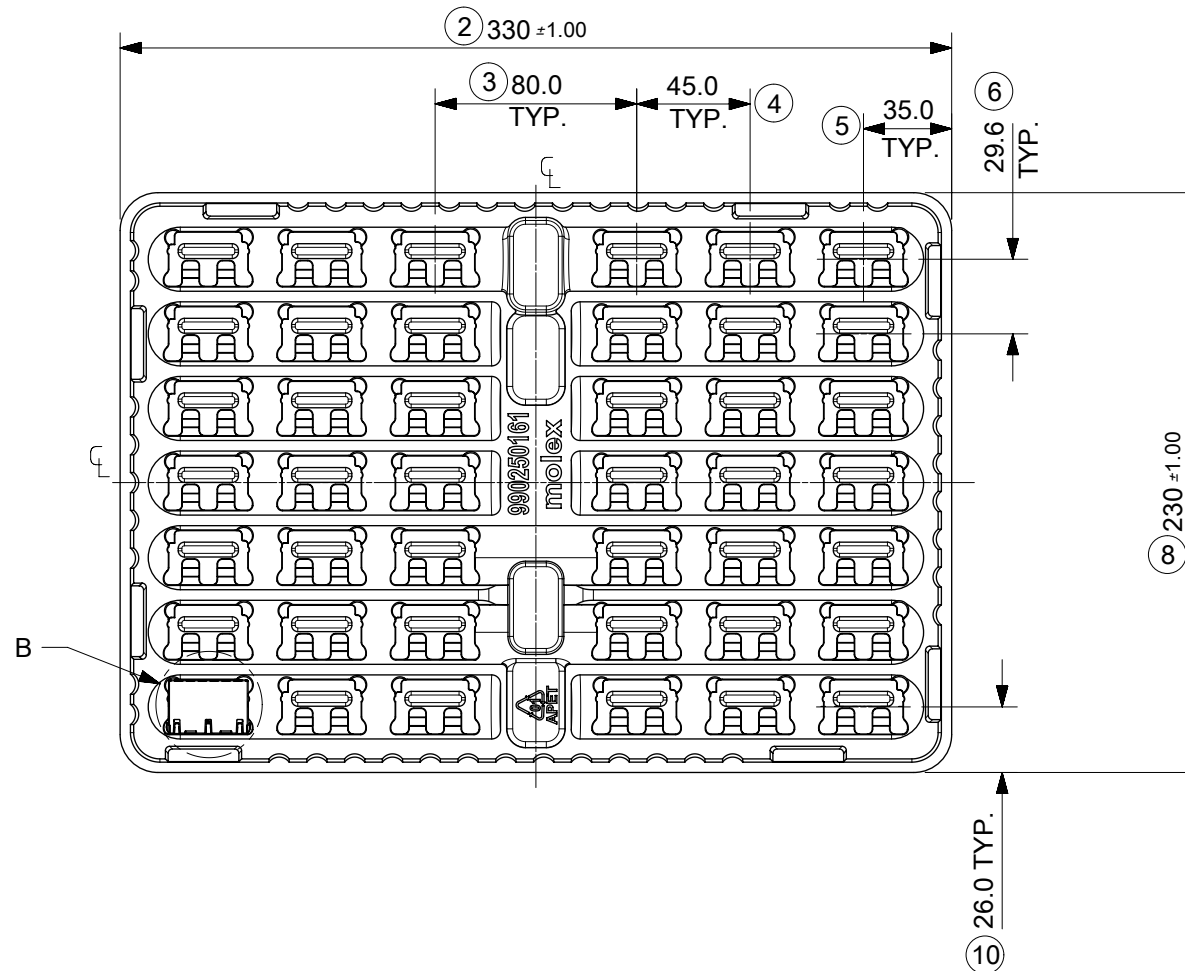
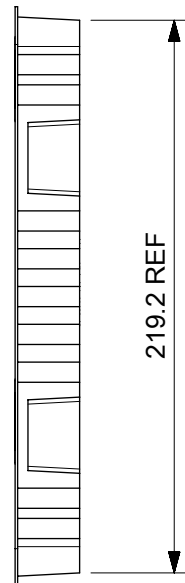
Description	Value	
OCL @100 kHz, 0.1 V 8 mA DC bias (0°C to +70°C)	350 µH min.	
Turns ratio	1CT:1CT	
Transmission characteristics @ 25°C, all four pairs		
Insertion Loss		
Frequency f, (MHz)	Limits (dB max.)	Typical Values (dB max.)
1.0-9.9	0.4+0.1*log(f)	0.5 @ 10 MHz
10-49.9	0.5+0.3*log(f/10)	0.7 @ 50 MHz
50-79.9	1+1.4*log(f/80)	1.0 @ 80 MHz
80-100	1.3+3*log(f/100)	1.3 @ 100 MHz
Return Loss		
Frequency f, (MHz)	Limits (dB min.)	Typical Values (dB min.)
1.0-39.9	18	18 @ 40 MHz
40-100	12-20*log(f/80)	10 @ 100 MHz
CMR		
Frequency f, (MHz)	Limits (dB min.)	Typical Values (dB min.)
1.0-100	30	30 @ 100 MHz
Next		
Frequency f, (MHz)	Limits (dB min.)	Typical Values (dB min.)
1.0-39.9	35	35 @ 40 MHz
40-100	33-20*log(f/50)	27 @ 100 MHz
Isolation PHY to wire side	2.25 kVDC/60sec	

THIS DRAWING CONTAINS INFORMATION THAT IS PROPRIETARY TO MOLEX ELECTRONIC TECHNOLOGIES, LLC AND SHOULD NOT BE USED WITHOUT WRITTEN PERMISSION

ORIGINAL RELEASE EC NO: 123046 DRWN: DSHEA CHKD: SMCGREEVY REV APPR: DBYRNES	2017/10/17	2017/10/23	2017/11/07	GENERAL TOLERANCES (UNLESS SPECIFIED)	DIMENSION UNITS	SCALE				
				mm	1:1					
	ANGULAR TOL ± 2.0 °			DRWN BY	DATE	MXMAG DUAL PORT 4C FE COMMERCIAL W/O LED				
	4 PLACES ±			DSHEA	2017/05/19					
	3 PLACES ±			CHK'D BY	DATE					
2 PLACES ± 0.1			SMCGREEVY	2017/10/23	PRODUCT CUSTOMER DRAWING					
1 PLACE ± 0.2			APPR BY	DATE						
0 PLACES ±			DBYRNES	2017/11/07	SERIES	MATERIAL NUMBER	CUSTOMER			
DRAFT WHERE APPLICABLE MUST REMAIN WITHIN DIMENSIONS			DRAWING SIZE	THIRD ANGLE PROJECTION	93824	SEE SHEET 1	GENERAL MARKET			
A				A2			DOCUMENT NUMBER	DOC TYPE	DOC PART	SHEET NUMBER
							938240002	PSD	000	3 OF 3



DETAIL B
SCALE 3:2



NOTES:

1. MATERIAL: PETA ANTISTATIC
2. THICKNESS: 0.9 mm REF
3. COLOUR: CLEAR
4. BOW 2 mm MAXIMUM PER 330 mm
5. TWIST 2 mm MAXIMUM PER 330 mm
6. TRAY PART NO. AND RECYCLE LOGO TO BE CLEARLY MARKED ON TRAY
RECYCLE LOGO SHOULD BE APPROPRIATE TO MATERIAL USED
7. WHERE RELEVANT, DIMENSIONS SHOULD BE SYMMETRICAL ABOUT THE CENTRELINE
8. GENERAL PROFILE TOLERANCE $\frac{\text{R}}{0.40}$ ON NON DIMENSIONED FEATURES
9. PACKAGING SPECIFICATION: 938240001 PSK

DIMENSION NUMBERS DELETED: 7, 9, 11, 12
LAST INSPECTION NUMBER USED: 10

THIS DRAWING CONTAINS INFORMATION THAT IS PROPRIETARY TO MOLEX ELECTRONIC TECHNOLOGIES, LLC AND SHOULD NOT BE USED WITHOUT WRITTEN PERMISSION

ORIGINAL RELEASE EC NO: 123046 DRWN: DSHEA CHK'D: SMCGREEVY APPR: DBYRNES	2017/10/17	2017/10/23	GENERAL TOLERANCES (UNLESS SPECIFIED) ANGULAR TOL ± 1.0 ° 4 PLACES ± 3 PLACES ± 2 PLACES ± 0.2 1 PLACE ± 0.5 0 PLACES ± DRAFT WHERE APPLICABLE MUST REMAIN WITHIN DIMENSIONS	DIMENSION UNITS	SCALE	molex®		
				mm	1:3			
				DRWN BY	DATE	MXMAG DUAL PORT TRAY		
				SMCGREEVY	2017/06/15			
		CHK'D BY	DATE	PRODUCT CUSTOMER DRAWING				
		SMCGREEVY	2017/10/23					
		APPR BY	DATE	SERIES	MATERIAL NUMBER	CUSTOMER		
		DBYRNES	2017/11/07	99025	990250150	GENERAL MARKET		
		DRAWING SIZE	THIRD ANGLE PROJECTION	DOCUMENT NUMBER		DOC TYPE	DOC PART	SHEET NUMBER
		A3		990250161		PSD	000	1 OF 1

RELEASE STATUS	P1	RELEASE DATE	07.11.2017	10:13:22
----------------	----	--------------	------------	----------