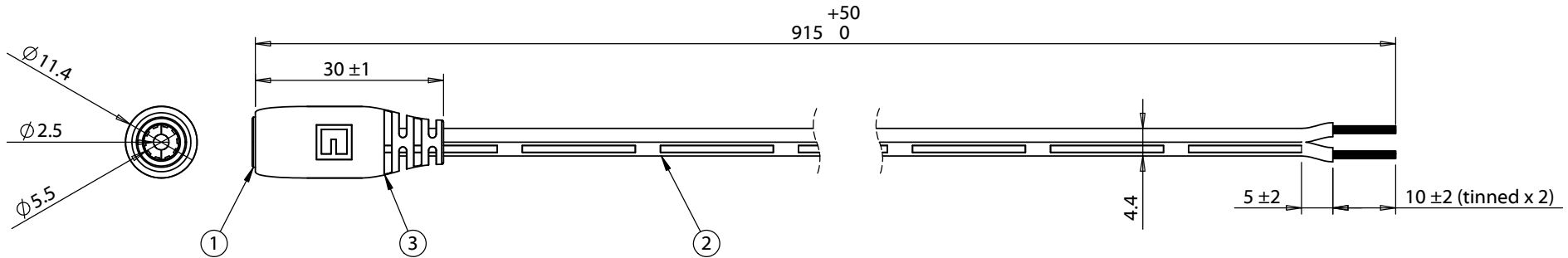


ITEM NO.	PART NUMBER	DESCRIPTION	QTY.	COMPONENT NOTES
1	50-00027	Connector, dc jack, 5.5x2.5xL17.4 mm, molding style	1	
2	30-00396	Wire, 2C TS, 18 AWG, UL2468, 300V, 80C, 4.4 mm, VW-1, PVC, 87A, white	1	
3	24-00004	Overmold, PVC, white	1	



**Notes:**  
 Cables individually tied and bundled in groups of 10  
 Functionally equivalent components may be substituted  
 7 A, 12 Vdc

Wiring Diagram	
50-00027	wire color
center	white with stripe
sleeve	white

Revision:	Date:	Description:	Prepared:	Notes:	<h1>TENSILITY</h1> <p>tel 1.541.323.3228 800 877.670.7118          fax 1.541.323.4202 web tensility.com</p>
A	12/21/2015	Initial release	GL 2016.05.19 08:22:45 -07'00'	RoHS compliant	
			Verified: LA Digitally signed by LA DN: cn=LA, o=Tensility Inc Engineering, email=LA@TENSILITY.COM, c=US, postalCode=01702, st=MA, serial=201605191718380700	Function test: no open, no short circuit, no intermittent	
			Dimensions are in millimeters. Tolerances: X: ± 0.5 mm X.X: ± 0.3 mm X.XX: ± 0.05 mm	Description: Cable, 915 mm, 5.5x2.5 mm 50-00027 dc jack to stripped tinned, 18 AWG, 30-00396 wire, white	
Scale: 1:2		Size: A		Part number: 10-01264	
				Sheet 1 of 1	