

DATA SHEET

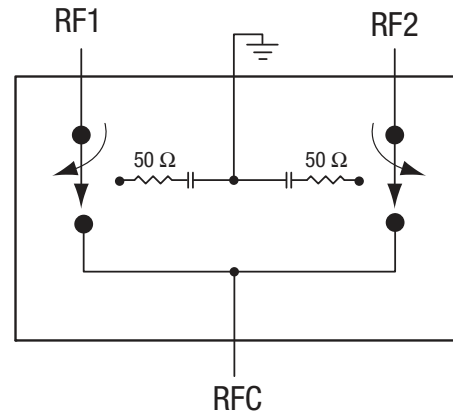
SKY13377-313LF: 0.5 – 6.0 GHz SPDT 10 W Switch, 50 Ω Terminated

Applications

- WiMAX 802.16
- Dual-band WLANs (802.11 a/b/g/n)
- LTE/4G systems

Features

- 50 Ω matched RF ports in all states
- Low insertion loss: 0.7 dB @ 2.5 GHz
- High isolation: 31 dB @ 2.5 GHz
- High IP1dB: +39 dBm
- Small, DFN (6-pin, 2 x 3 x 0.9 mm) SMT package (MSL1, 260 °C per JEDEC J-STD-020)



S2208

Figure 1. SKY13377-313LF Block Diagram



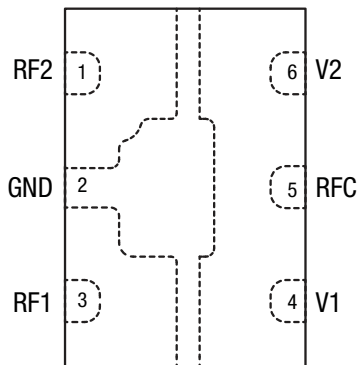
Skyworks Green™ products are compliant with all applicable legislation and are halogen-free. For additional information, refer to *Skyworks Definition of Green™*, document number SQ04-0074.

Description

The SKY13377-313LF is a GaAs pHEMT Single-Pole, Double-Throw (SPDT) high power switch with 50 Ω terminated outputs. The high linearity performance and low insertion loss achieved by the SKY13377-313LF make it an ideal choice for WiMAX and WLAN applications.

The switch is manufactured in a compact, 2 x 3 x 0.9 mm, 6-pin Dual Flat No-Lead (DFN) SMT package.

A functional block diagram is shown in Figure 1. The pin configuration and package are shown in Figure 2. Signal pin assignments and functional pin descriptions are provided in Table 1.



S2484

Figure 2. SKY13377-313LF Pinout – 6-Pin DFN (Top View)

Table 1. SKY13377-313LF Signal Descriptions

Pin #	Name	Description	Pin #	Name	Description
1	RF2	RF output: 50 Ω terminated when in isolation state. Must be DC blocked.	4	V1	DC control voltage
2	GND	Ground	5	RFC	RF common input. Must be DC blocked.
3	RF1	RF output: 50 Ω terminated when in isolation state. Must be DC blocked.	6	V2	DC control voltage

Table 2. SKY13377-313LF Absolute Maximum Ratings

Parameter	Symbol	Minimum	Maximum	Units
Control voltage	V _{CTL}		6	V
Input power	P _{IN}		+40	dBm
Storage temperature	T _{STG}	-40	+125	°C
Operating temperature	T _{OP}	-40	+85	°C

Note: Exposure to maximum rating conditions for extended periods may reduce device reliability. There is no damage to device with only one parameter set at the limit and all other parameters set at or below their nominal value. Exceeding any of the limits listed here may result in permanent damage to the device.

CAUTION: Although this device is designed to be as robust as possible, Electrostatic Discharge (ESD) can damage this device. This device must be protected at all times from ESD. Static charges may easily produce potentials of several kilovolts on the human body or equipment, which can discharge without detection. Industry-standard ESD precautions should be used at all times.

Functional Description

Switching is controlled by two control voltage inputs, V1 and V2 (pins 4 and 6, respectively). Depending on the logic voltage level applied to the control pins, the RFC pin is connected to one of the two switched RF outputs, RF1 or RF2, using a low insertion loss path, while the path between the RFC pin and the other RF pin is in a high isolation state.

DC blocking capacitors are required on all RF ports of the switch. The value of the capacitors determines the low frequency operation. The isolated RF output is internally terminated to 50 Ω.

Electrical and Mechanical Specifications

The absolute maximum ratings of the SKY13377-313LF are provided in Table 2. Electrical specifications are provided in Table 3.

Typical performance characteristics of the SKY13377-313LF are illustrated in Figures 3 through 6.

The state of the SKY13377-313LF is determined by the logic provided in Table 4.

Table 3. SKY13377-313LF Electrical Specifications (1 of 2) (Note 1)**($V_{CTL} = 0\text{ V}$ and $+3.0\text{ V}$, $T_{OP} = +25\text{ }^{\circ}\text{C}$, $P_{IN} = 0\text{ dBm}$, Characteristic Impedance [Z_0] = $50\text{ }\Omega$, $C_{BLK} = 47\text{ pF}$, Unless Otherwise Noted)**

Parameter	Symbol	Test Condition	Min	Typical	Max	Units
RF Specifications						
Insertion loss	IL	RFC to RF1 or RF2: 0.500 to 2.70 GHz		0.70	0.80	dB
		2.70 to 3.80 GHz		0.80	0.95	dB
		3.80 to 5.85 GHz		1.20	1.45	dB
Isolation	Iso	RFC to RF1 or RF2: 0.500 to 2.70 GHz	29	31		dB
		2.70 to 3.80 GHz	27	29		dB
		3.80 to 5.85 GHz	22	24		dB
Input return loss ("on" state)	IS11l	RFC or RF1 or RF2, 0.5 to 6.0 GHz	10	20		dB
Input return loss ("off" state)	IS11l	Isolated output RF1 or RF2: 2.30 to 2.70 GHz		15		dB
		2.70 to 3.80 GHz		15		dB
		3.80 to 5.85 GHz		15		dB
1 dB Input Compression Point	IP1dB	$V_{CTL} = 3.0\text{ V}$: 2.30 to 2.70 GHz		+39		dBm
		2.70 to 3.80 GHz		+39		dBm
		3.80 to 5.85 GHz		+39		dBm
3 rd Order Input Intercept Point	IIP3	$P_{IN} = +27\text{ dBm/tone}$, $\Delta f = 1\text{ MHz}$, $V_{CTL} = 3.0\text{ V}$: 2.4 GHz		62		dB
		3.8 GHz		60		dB
		5.8 GHz		57		dB
2 nd harmonic	2fo	$P_{IN} = +27\text{ dBm}$, $V_{CTL} = 3.0\text{ V}$: 0.9 GHz		+80		dBc
		2.4 GHz		+78		dBc
		3.8 GHz		+75		dBc
		5.8 GHz		+73		dBc
3 rd harmonic	3fo	$P_{IN} = +27\text{ dBm}$, $V_{CTL} = 3.0\text{ V}$: 0.9 GHz		+80		dBc
		2.4 GHz		+80		dBc
		3.8 GHz		+80		dBc
		5.8 GHz		+80		dBc
WLAN Error Vector Magnitude	EVM_WLAN	Input power for 2.5% error, WLAN 2.45 GHz, 802.11g, OFDM, 54 Mbps, 64 QAM		+31		dBm
WiMAX Error Vector Magnitude	EVM_WIMAX	Input power for 2.5% error, WiMAX 3.8 GHz, OFDMA, 54 Mbps, 64 QAM		+31		dBm
WLAN Error Vector Magnitude	EVM_WLAN	Input power for 2.5% error, WLAN 5.85 GHz, 802.11g, OFDM, 54 Mbps, 64 QAM		+29		dBm
Switching speed		50% V_{CTL} to 90/10% RF		150	250	ns
		90/10% RF or 10/90% RF		150	250	ns

Table 3. SKY13377-313LF Electrical Specifications (2 of 2) (Note 1)

($V_{CTL} = 0\text{ V}$ and $+3.0\text{ V}$, $T_{OP} = +25\text{ }^\circ\text{C}$, $P_{IN} = 0\text{ dBm}$, Characteristic Impedance [Z_0] = $50\text{ }\Omega$, $C_{BLK} = 47\text{ pF}$, Unless Otherwise Noted)

Parameter	Symbol	Test Condition	Min	Typical	Max	Units
DC Specifications						
Control voltage	V_{CTL}		2.5	3.0	5.0	V
Control current	I_{CC}	$V_{CTL} = 3\text{ V}$		50		μA

Note 1: Performance is guaranteed only under the conditions listed in this Table.

Typical Performance Characteristics

($V_{CTL} = 0\text{ V}$ and $+3.0\text{ V}$, $T_{OP} = +25\text{ }^\circ\text{C}$, $P_{IN} = 0\text{ dBm}$, Characteristic Impedance [Z_0] = $50\text{ }\Omega$, $C_{BLK} = 47\text{ pF}$, Unless Otherwise Noted)

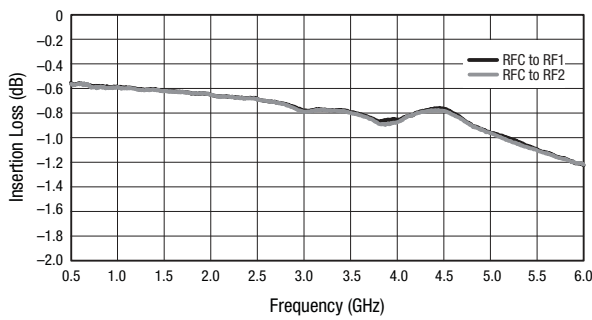


Figure 3. Typical Insertion Loss vs Frequency

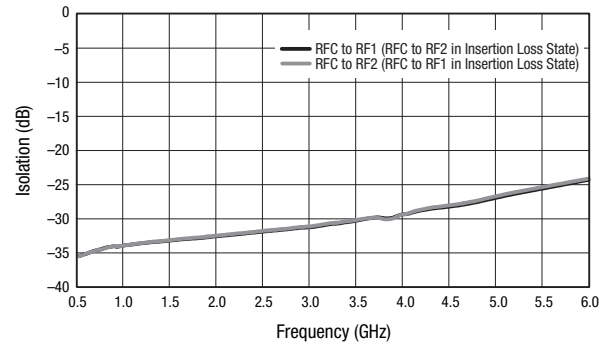


Figure 4. Typical Isolation vs Frequency

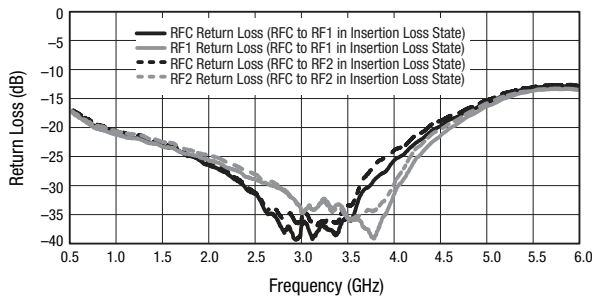


Figure 5. Return Loss vs Frequency (Insertion Loss State)

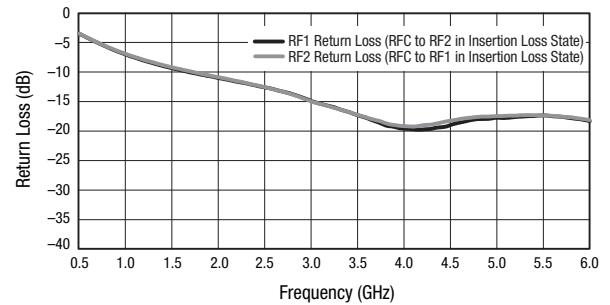


Figure 6. Return Loss vs Frequency (Isolation State)

Table 4. SKY13377-313LF Truth Table

V1 (Pin 4)	V2 (Pin 6)	Insertion Loss State
1	0	RFC to RF1
0	1	RFC to RF2

Note: "1" = +2.5 V to +5.0 V. "0" = 0 V to +0.2 V. Any state other than described in this Table places the switch into an undefined state. An undefined state will not damage the device.

Evaluation Board Description

The SKY13377-313LF Evaluation Board is used to test the performance of the SKY13377-313LF SPDT Switch. An Evaluation Board schematic diagram is provided in Figure 7. An assembly drawing for the Evaluation Board is shown in Figure 8.

Package Dimensions

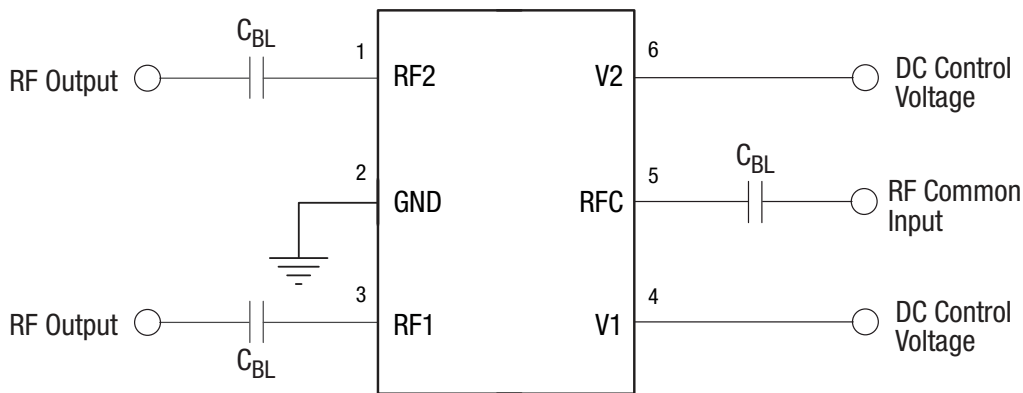
The PCB layout footprint for the SKY13377-313LF is provided in Figure 9. Typical case markings are shown in Figure 10. Package dimensions for the 6-pin DFN are shown in Figure 11, and tape and reel dimensions are provided in Figure 12.

Package and Handling Information

Instructions on the shipping container label regarding exposure to moisture after the container seal is broken must be followed. Otherwise, problems related to moisture absorption may occur when the part is subjected to high temperature during solder assembly.

The SKY13377-313LF is rated to Moisture Sensitivity Level 1 (MSL1) at 260 °C. It can be used for lead or lead-free soldering. For additional information, refer to the Skyworks Application Note, *Solder Reflow Information*, document number 200164.

Care must be taken when attaching this product, whether it is done manually or in a production solder reflow environment. Production quantities of this product are shipped in a standard tape and reel format.



$C_{BL} = 47 \text{ pF}$ for $>1 \text{ GHz}$ operation. Increase value for lower frequency operation.

Exposed ground paddle should be grounded for best performance.

S2485

Figure 7. SKY13377-313LF Evaluation Board Schematic

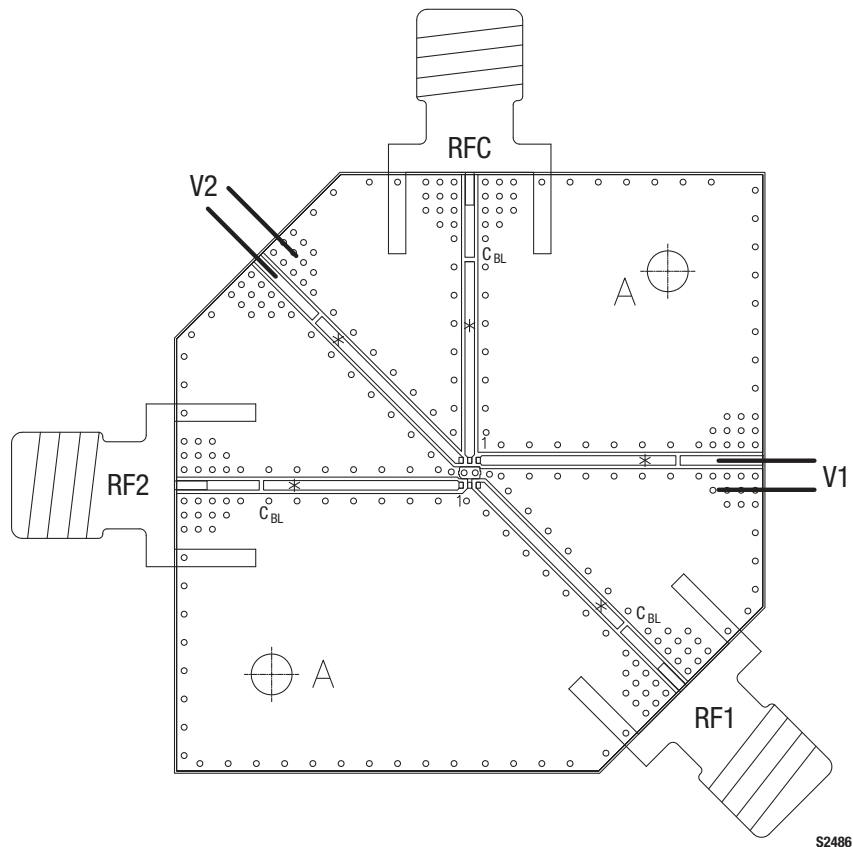
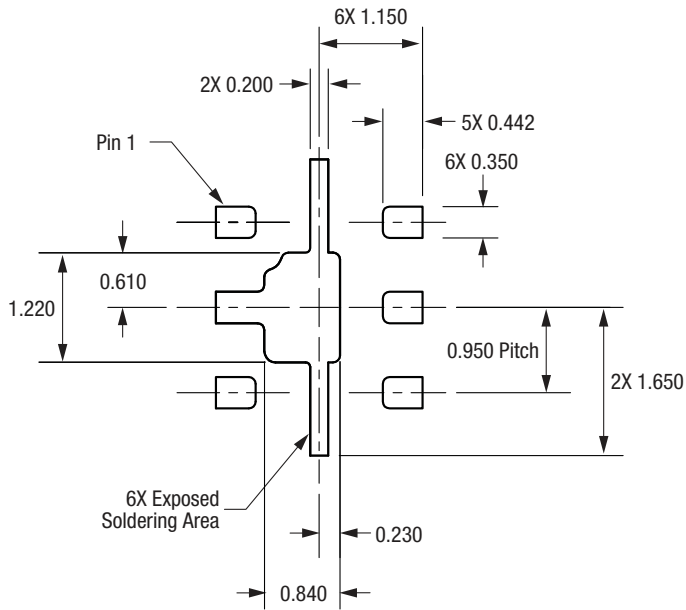


Figure 8. SKY13377-313LF Evaluation Board Assembly Diagram



All dimensions are in millimeters

Figure 9. SKY13377-313LF PCB Layout Footprint (Top View)

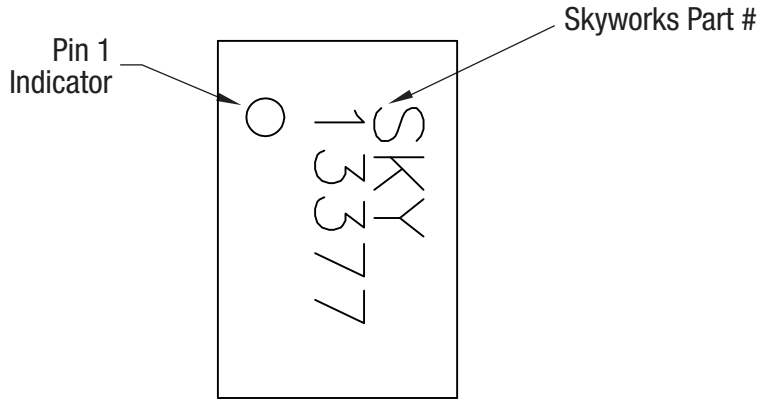
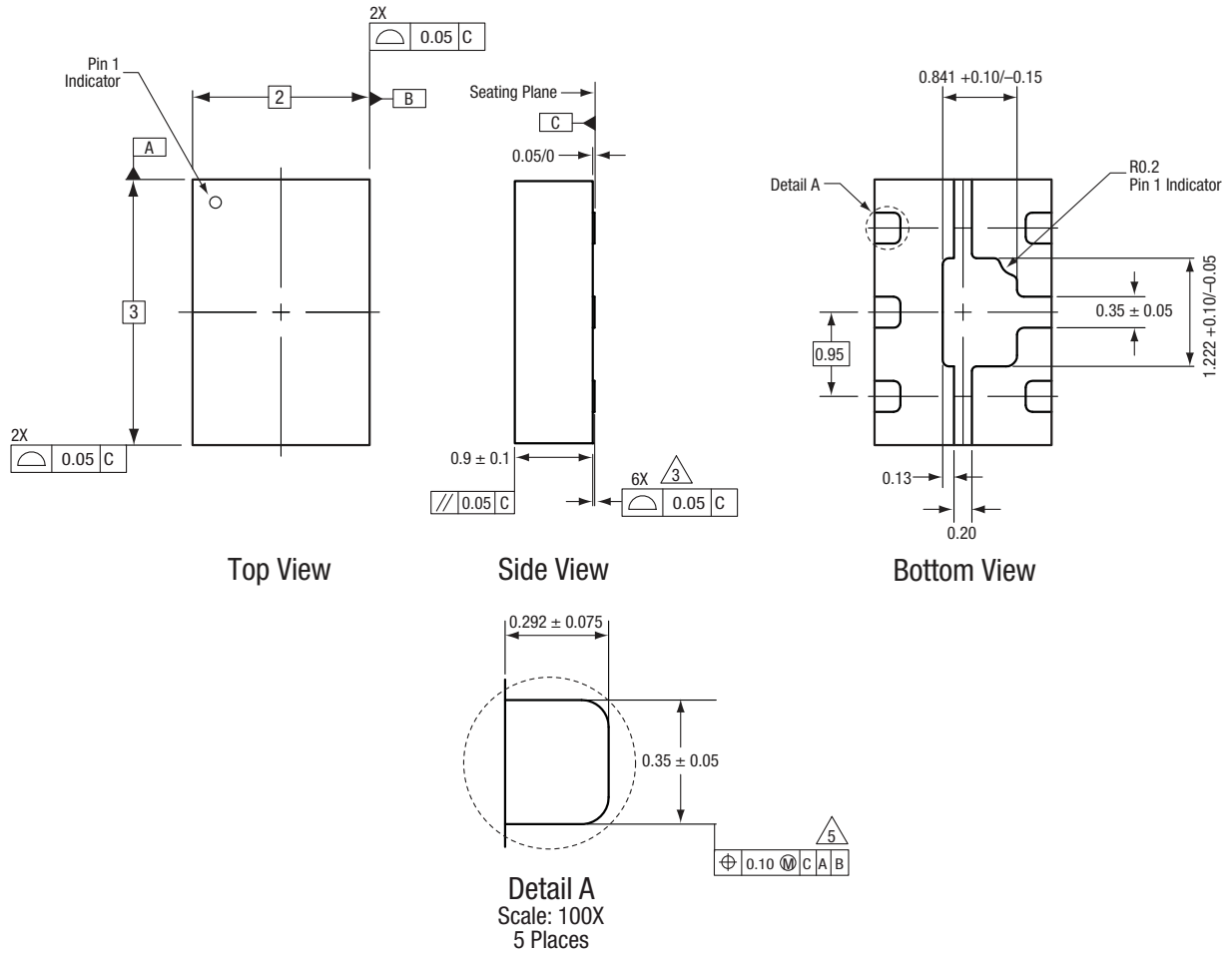


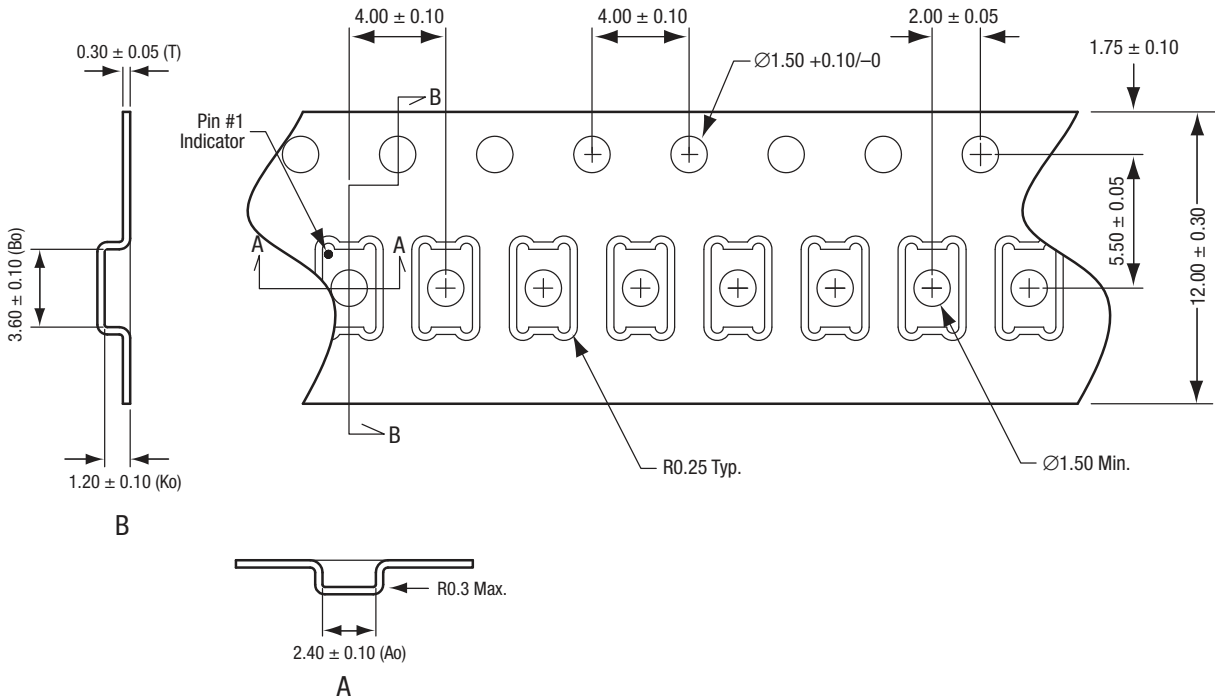
Figure 10. Typical Part Markings (Top View)



All measurements are in millimeters.
 Dimensioning and tolerancing according to ASME Y14.5M-1994.
 Coplanarity applies to the terminals and all other bottom surface metalization.
 Dimension applies to metalized terminal. If the terminal has a radius on its end, the width dimension should not be measured in that radius area.

S2492

Figure 11. SKY13377-313LF 6-Pin DFN Package Dimensions



Notes:

1. Carrier tape: black conductive polystyrene, non-bakeable material.
2. Cover tape material: transparent conductive HSA with 9.20 mm width.
3. ESD-surface resistivity is $\geq 1 \times 10^5 \sim \leq 1 \times 10^{10}$ Ohms/square per EIA, JEDEC TNR Specification.
4. All measurements are in millimeters.

S2653

Figure 12. SKY13377-313LF Tape and Reel Dimensions

Ordering Information

Model Name	Manufacturing Part Number	Evaluation Board Part Number
SKY13377-313LF SPDT Switch	SKY13377-313LF	SKY13377-313LF-EVB

Copyright © 2011, 2013 Skyworks Solutions, Inc. All Rights Reserved.

Information in this document is provided in connection with Skyworks Solutions, Inc. ("Skyworks") products or services. These materials, including the information contained herein, are provided by Skyworks as a service to its customers and may be used for informational purposes only by the customer. Skyworks assumes no responsibility for errors or omissions in these materials or the information contained herein. Skyworks may change its documentation, products, services, specifications or product descriptions at any time, without notice. Skyworks makes no commitment to update the materials or information and shall have no responsibility whatsoever for conflicts, incompatibilities, or other difficulties arising from any future changes.

No license, whether express, implied, by estoppel or otherwise, is granted to any intellectual property rights by this document. Skyworks assumes no liability for any materials, products or information provided hereunder, including the sale, distribution, reproduction or use of Skyworks products, information or materials, except as may be provided in Skyworks Terms and Conditions of Sale.

THE MATERIALS, PRODUCTS AND INFORMATION ARE PROVIDED "AS IS" WITHOUT WARRANTY OF ANY KIND, WHETHER EXPRESS, IMPLIED, STATUTORY, OR OTHERWISE, INCLUDING FITNESS FOR A PARTICULAR PURPOSE OR USE, MERCHANTABILITY, PERFORMANCE, QUALITY OR NON-INFRINGEMENT OF ANY INTELLECTUAL PROPERTY RIGHT; ALL SUCH WARRANTIES ARE HEREBY EXPRESSLY DISCLAIMED. SKYWORKS DOES NOT WARRANT THE ACCURACY OR COMPLETENESS OF THE INFORMATION, TEXT, GRAPHICS OR OTHER ITEMS CONTAINED WITHIN THESE MATERIALS. SKYWORKS SHALL NOT BE LIABLE FOR ANY DAMAGES, INCLUDING BUT NOT LIMITED TO ANY SPECIAL, INDIRECT, INCIDENTAL, STATUTORY, OR CONSEQUENTIAL DAMAGES, INCLUDING WITHOUT LIMITATION, LOST REVENUES OR LOST PROFITS THAT MAY RESULT FROM THE USE OF THE MATERIALS OR INFORMATION, WHETHER OR NOT THE RECIPIENT OF MATERIALS HAS BEEN ADVISED OF THE POSSIBILITY OF SUCH DAMAGE.

Skyworks products are not intended for use in medical, lifesaving or life-sustaining applications, or other equipment in which the failure of the Skyworks products could lead to personal injury, death, physical or environmental damage. Skyworks customers using or selling Skyworks products for use in such applications do so at their own risk and agree to fully indemnify Skyworks for any damages resulting from such improper use or sale.

Customers are responsible for their products and applications using Skyworks products, which may deviate from published specifications as a result of design defects, errors, or operation of products outside of published parameters or design specifications. Customers should include design and operating safeguards to minimize these and other risks. Skyworks assumes no liability for applications assistance, customer product design, or damage to any equipment resulting from the use of Skyworks products outside of stated published specifications or parameters.

Skyworks, the Skyworks symbol, and "Breakthrough Simplicity" are trademarks or registered trademarks of Skyworks Solutions, Inc., in the United States and other countries. Third-party brands and names are for identification purposes only, and are the property of their respective owners. Additional information, including relevant terms and conditions, posted at www.skyworksinc.com, are incorporated by reference.