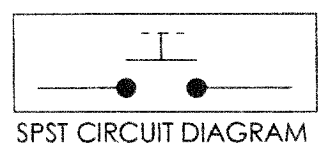
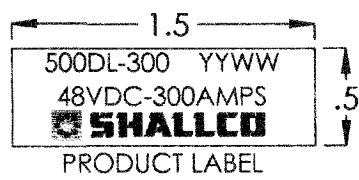
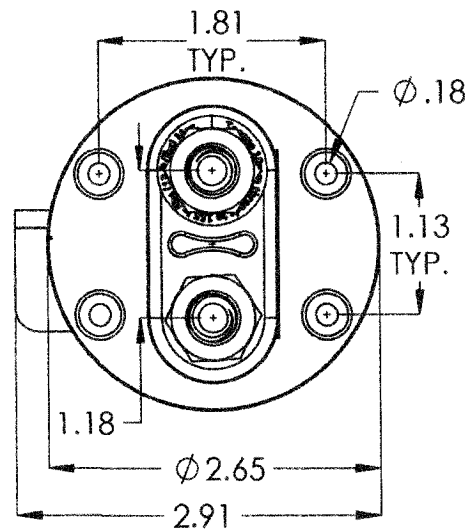
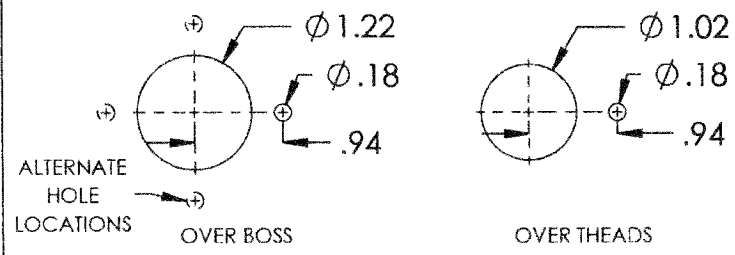


DETAIL SHOWN NOT TO SCALE

MOUNTING DETAILS



Technical data:	
Handle Material:	Red GF Nylon 6
Upper Housing Material:	Zinc Diecast
Lower Housing Material:	GP Phenolic
Min. Insulation Resistance:	100 Mohm
Dielectric Withstanding Voltage:	1,100V -1min
Voltage Drop Max.:	0.175 mV
Voltage:	48 VDC
Continuous Rating:	300 A
Overload:	750 A - 180sec. 1,500 A - 30sec.
Sealing:	IP67
Vibration:	4G / 50-2KHz
Shock:	6G / 11ms
Temperature Range:	-40C to +85C
Terminal Torque:	155 in.lb
Mounting Torque:	18 ft.lb

PROPRIETARY AND CONFIDENTIAL
 This document contains proprietary data for products designed by Shallco, inc., of Smithfield, NC. No disclosure, reproduction, or use of any part thereof may be made except by written permission.

	NAME	DATE
DRAWN	JRT	4-15-15
CHECKED		
ENG APPR.	RMF	4-15-15
MFG APPR.		
Q.A.		

SHALCO
 308 COMPONENTS DRIVE, SMITHFIELD, NC 27577 USA
 DO NOT SCALE DRAWING

TITLE:
LOCKOUT BATTERY DISCONNECT 48VDC-300AMPS

BLANK WEIGHT: - PART WEIGHT: 0.8 LBS

SIZE **A** DWG. NO. **500DL-300** SHEET 1 OF 1 REV. **C**

SCALE: 1:2 FILENAME: 500DL-300

REV.	DESCRIPTION	DATE	APP'D
	REVISIONS		

DWG NO: 500DL-300