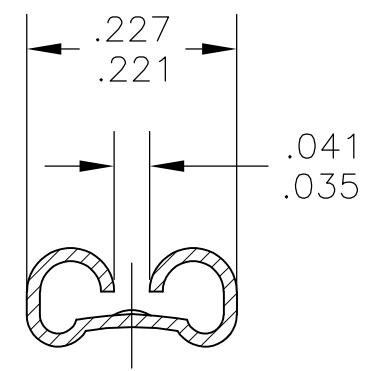
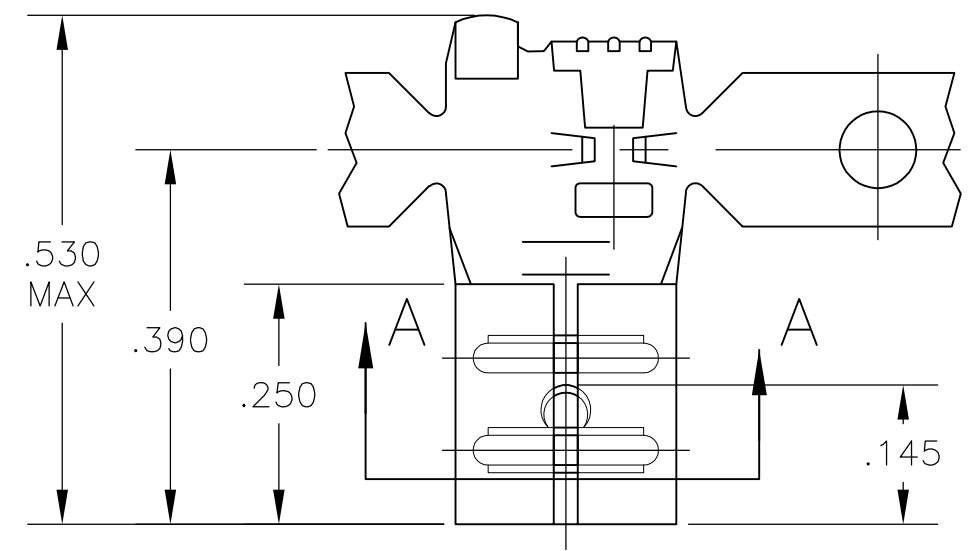


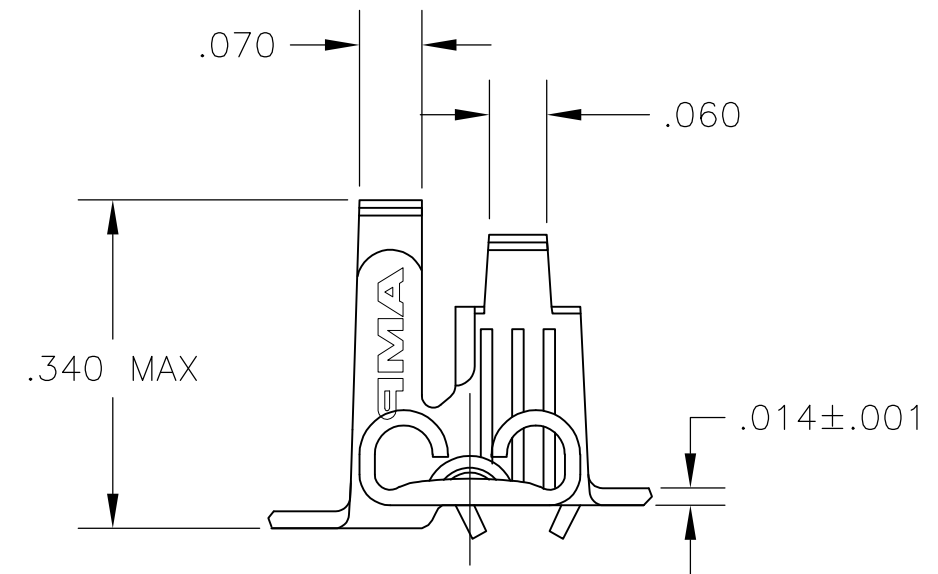
THIS DRAWING IS UNPUBLISHED. RELEASED FOR PUBLICATION
 © COPYRIGHT - By - ALL RIGHTS RESERVED.

LOC	DIST	REVISIONS					
AF	14	P	LTR	DESCRIPTION	DATE	DWN	APVD
		B		REVISED PER ECR-12-013518	26NOV2012	KH	PD

- 1 CONTINUOUS STRIP ON REELS
- 2 WIRE SIZE IS #18-#14 AWG OR #2-#18
- 3 INSULATION RANGE IS .110-.190 DIA
- 4 MATING TAB THK IS .032±.001
- 5 PRELIMINARY - NOT FOR PRODUCTION



SECTION A-A



T3 PHOS BRONZE	5 1742422-2
BRASS	1742422-1
MATERIAL	PART NO

THIS DRAWING IS A CONTROLLED DOCUMENT.		DWN	jr_ruth	29MAR06	STE TE Connectivity		
DIMENSIONS: INCHES		CHK	P_DESANTIS	29MAR06			
TOLERANCES UNLESS OTHERWISE SPECIFIED:		APVD	P_DESANTIS	29MAR06	RECEPTACLE, FASTON, FLAG, .187 SERIES		
0 PLC ± -		PRODUCT SPEC		APPLICATION SPEC			RESTRICTED TO
1 PLC ± -		-		114-2078			SIZE
2 PLC ± -		-		WEIGHT			CAGE CODE
3 PLC ± .005		-		CUSTOMER DRAWING			DRAWING NO
4 PLC ± -		-		SCALE			5:1
ANGLES ± 5°		-		SHEET			1 OF 1
MATERIAL	SEE TABLE	FINISH		TIN PLATE		REV	
						B	