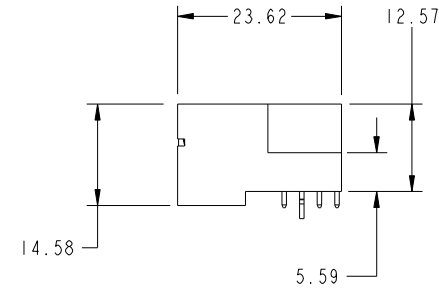
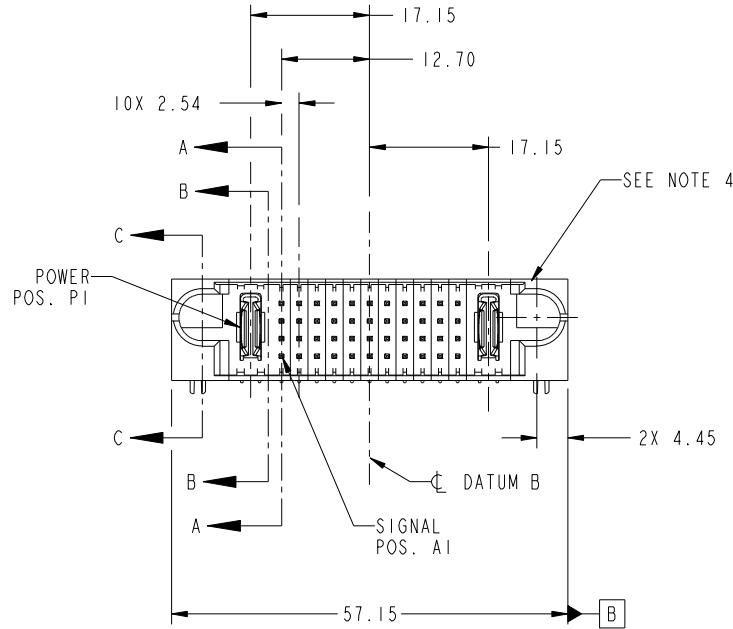


Tous droits strictement reserves. Reproduction ou communication a des tiers interdite sous quelque forme que ce soit sans autorisation écrite du propriétaire. Propriete de c FCI. Droits de reproduction FCI.

All rights strictly reserved. Reproduction or issue to third parties in any form whatever is not permitted without written authority from the proprietor. Property of FCI. Copyright FCI.



PRODUCT NO. 51730-169... NOTE 3	ROWS D C B A	SIGNAL											P					
		E1	P1	1	2	3	4	5	6	7	8	9	10	11	P2	E2		
		PC	V	V	V	V	V	V	V	V	V	V	V	V	V	V	PC	HA
		HA	N	N	N	N	N	N	N	N	N	N	N	N	N	N	HA	



CODE	DIM "M" MATING LENGTH	CONTACT TYPE
V	[6.86]	SIGNAL
Q	[6.86]	SIGNAL
P	[6.86]	SIGNAL
N	[6.86]	SIGNAL
PC	[N/A]	POWER
HA	[N/A]	HOLD-DOWN

mat'l code				SEE NOTE		tolerances unless otherwise specified		CUSTOMER		FCI	
ltr	ecn no.	dr	date	linear	0.X ± 0.5	projection	COPY		www.fciconnect.com		
A	DG10-0088	AL	03/02/10	angles	0.XX ± 0.25		title		IP + 44 S + IP		
				dr	0.XXX ± 0.1		RIGHT ANGLE SOLDER HEADER		product family		PwrBlade
				enr	0° ± 2°	MM	size		dwg no	213	
				chr	Anson Liu 03/02/10	scale	A		51730-169	sheet	
				appd	Jerome Chen 03/02/10	1:1					1 of 4
					PM Zheng 03/02/10						
					JOSEPH HSIA 03/02/10						
sheet index	revision sheet	A	A	A	A						
		1	2	3	4						

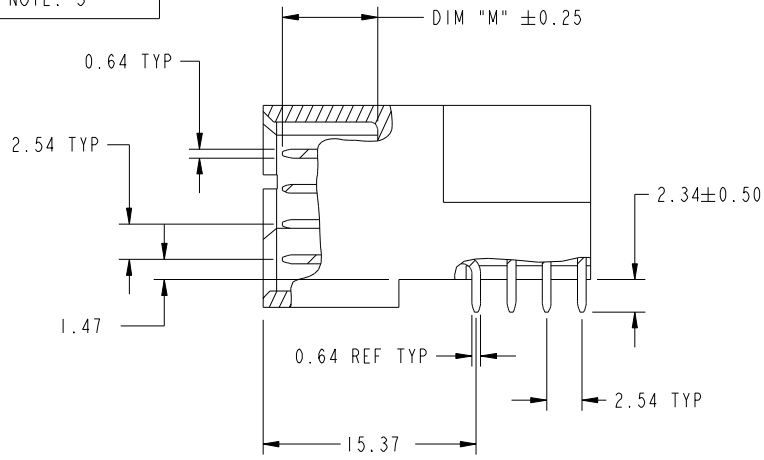
cage code 22526

Tous droits strictement reserves. Reproduction ou communication a des tiers interdite sous quelque forme que ce soit sans autorisation écrite du propriétaire. Propriete de c FCI. Droits de reproduction FCI.

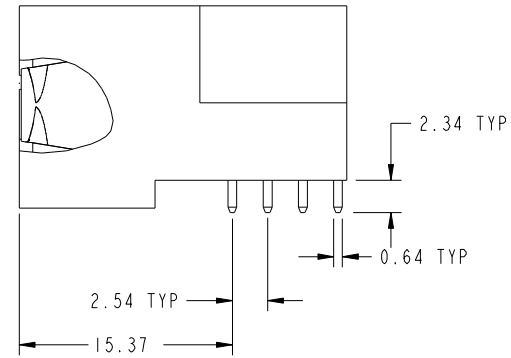
All rights strictly reserved. Reproduction or issue to third parties in any form whatever is not permitted without written authority from the proprietor. Property of FCI. Copyright FCI.



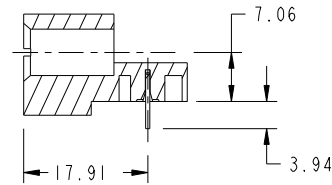
PRODUCT NUMBER
51730-169__
NOTE: 3



BROKEN-OUT SECTION A-A
SCALE 2:1



BROKEN-OUT SECTION B-B
SCALE 2:1



SECTION C-C

mat'l code		SEE NOTE		tolerances unless otherwise specified		CUSTOMER		 www.fciconnect.com	
ltr	ecn no.	dr	date	linear	0.X ±0.5	COPY		title	
A					0.XX ±0.25	projection		IP + 44 S + IP	
				angles	0.XXX ±0.1			RIGHT ANGLE SOLDER HEADER	
					0° ±2°			product family PwrBlade code	
		dr	Anson Liu	03/02/10		size		213	
		enr	Jerome Chen	03/02/10		dwg no		sheet	
		chr	PM Zheng	03/02/10		51730-169		2 of 4	
		appd	JOSEPH HSIA	03/02/10		scale			
						1:1			
sheet index	revision sheet								

cage code 22526

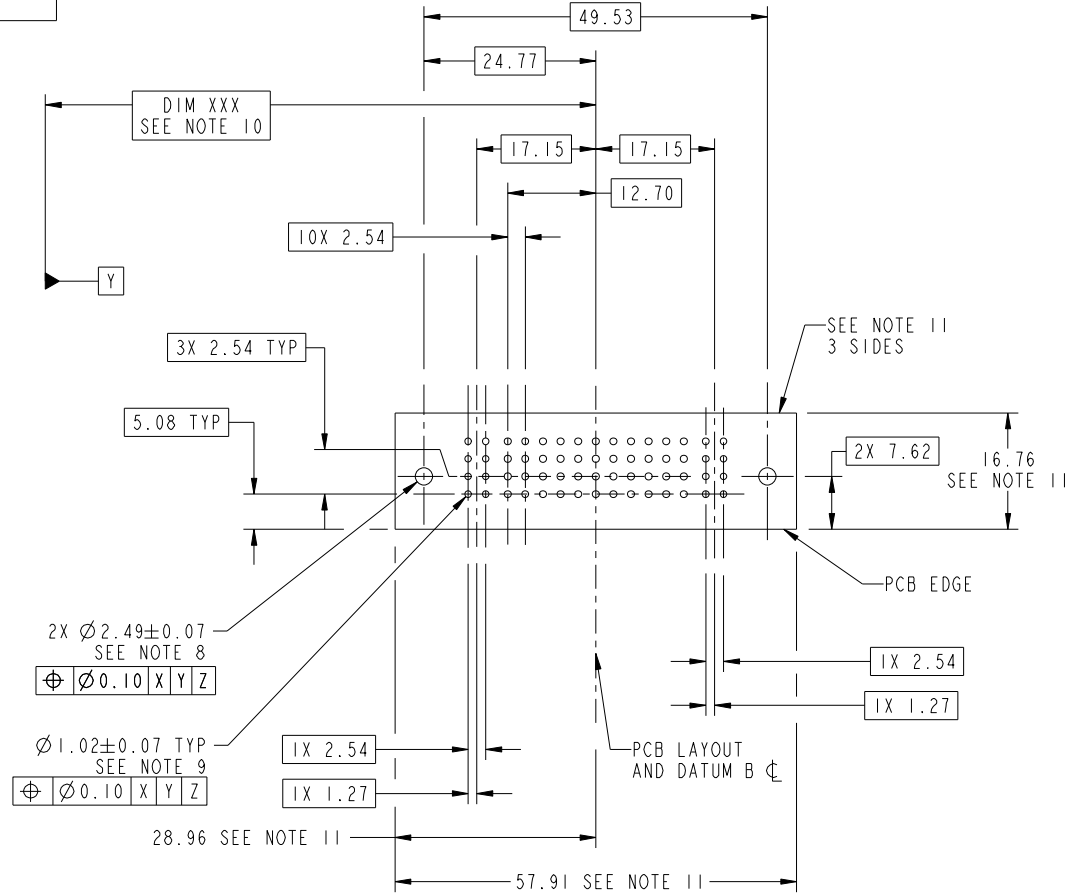
Pro/E

Tous droits strictement reserves. Reproduction ou communication a des tiers interdite sous quelque forme que ce soit sans autorisation écrite du propriétaire. Propriete de c FCI. Droits de reproduction FCI.



All rights strictly reserved. Reproduction or issue to third parties in any form whatever is not permitted without written authority from the proprietor. Property of FCI. Copyright FCI.

PRODUCT NUMBER
51730-169__
NOTE: 3



RECOMMENDED PCB LAYOUT

mat'l code		SEE NOTE		tolerances unless otherwise specified		CUSTOMER		FCI		www.fciconnect.com	
ltr	ecn no.	dr	date	linear	0.X ± 0.5	COPY				title	
A				angles	0.XX ± 0.25	MIM				IP + 44 S + IP	
				dr	0.XXX ± 0.1	scale				RIGHT ANGLE SOLDER HEADER	
				enr	0° ± 2°	1:1		product family		code	
				chr	Anson Liu 03/02/10			PwrBlade		213	
				appd	Jerome Chen 03/02/10			size		sheet	
					PM Zheng 03/02/10			dwg no		3 of 4	
					JOSEPH HSIA 03/02/10			A		51730-169	
sheet index	revision sheet										

cage code 22526

Pro/E

Tous droits strictement reserves. Reproduction ou communication a des tiers interdite sous quelque forme que ce soit sans autorisation écrite du propriétaire. Propriete de c FCI. Droits de reproduction FCI.



All rights strictly reserved. Reproduction or issue to third parties in any form whatever is not permitted without written authority from the proprietor. Property of FCI. Copyright FCI.

PRODUCT NUMBER
51730-169--
NOTE: 3

NOTES:

1. DIMENSIONS AND TOLERANCES ARE IN ACCORDANCE WITH ASME Y14.5M, 1994 UNLESS OTHERWISE SPECIFIED.

CONNECTOR NOTES:

- 2. HOUSING MATERIAL: UL 94 V-0 GLASS FILLED HIGH-TEMP THERMOPLASTIC
POWER CONTACT MATERIAL: COPPER ALLOY
SIGNAL PIN MATERIAL: COPPER ALLOY
- 3. PLATING
SEE ITEM 1&2 IN PRINT 10064183 FOR PLATING SPEC OF 51730-169,51730-169LF RESPECTIVELY
- 4. MANUFACTURER'S NAME, DATE CODE AND OPTIONAL P/N TO APPEAR ON THIS SURFACE. THE P/N CAN BE OMITTED IF THERE IS NOT ENOUGH SPACE ON THIS SURFACE.
- 5. PRODUCT SPECIFICATION GS-12-149.
APPLICATION SPECIFICATION BUS-20-067.
- 6. PACKAGED IN TRAYS.

PCB NOTES:

- 7. ALL HOLE DIAMETERS ARE FINISHED HOLE SIZE.
- 8. MOUNTING HOLES, WHERE APPLICABLE, ARE UNPLATED.
- 9. $\varnothing 1.151 \pm 0.025$ DRILLED HOLES PLATED WITH 0.008 MIN SnPb OR Sn OVER 0.03 TO 0.08 Cu PLATING TO ACHIEVE $\varnothing 1.02 \pm 0.07$ HOLE.
- 10. "DIM XXX" TO BE DETERMINED BY THE CUSTOMER.
- 11. CONNECTOR KEEP-OUT ZONE.

mat'l code		SEE NOTE		tolerances unless otherwise specified		CUSTOMER		FCI		www.fciconnect.com	
ltr	ecn no.	dr	date	linear	0.X ± 0.5	COPY		 title IP + 44 S + IP RIGHT ANGLE SOLDER HEADER			
A					0.XX ± 0.25	projection					
				angles	0.XXX ± 0.1	 MIM					
				dr	Anson Liu 03/02/10	product family		PwrBlade	code	213	
				enr	Jerome Chen 03/02/10	size		dwg no	4 of 4		
				chr	PM Zheng 03/02/10	scale		A	51730-169		
				appd	JOSEPH HSIA 03/02/10	1:1					
sheet index	revision sheet										

cage code 22526

Pro/E