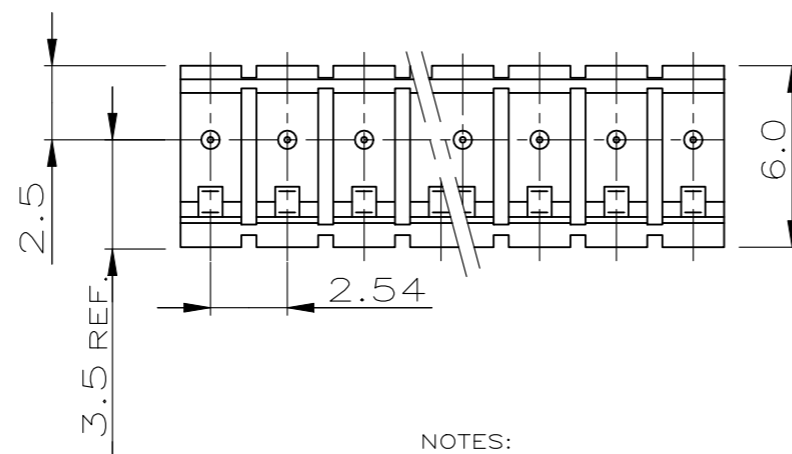
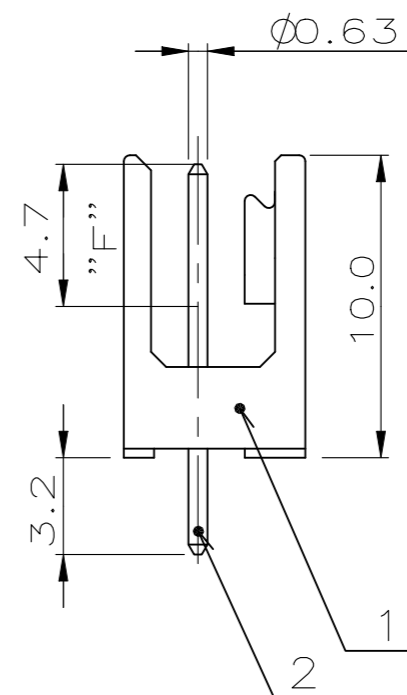
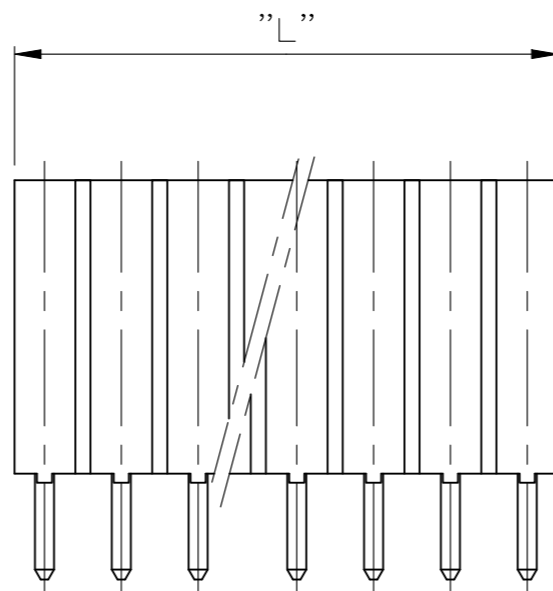


REVISIONS					
P	LTR	DESCRIPTION	DATE	DWN	APVD
F1		NOTE 1 0.76µm PLATING UPDATE (PdNi+AuFLASH)	13JUL2023	BGC	PS

POS. "n"	L±0.4	PART NO.
2	4.58	829539 -2
3	7.12	829539 -3
4	9.66	829539 -4
5	12.20	829539 -5
6	14.74	829539 -6
8	19.82	829539 -8



NOTES:

- 1 MATING SIDE: Min 0.76µm (PdNi + Au FLASH) IN ZONE "F" OVER Min 1.27µm Ni
(Alternative plating - Min 0.76µm Au OVER Min 1.27µm Ni)
- SOLDER SIDE: MIN. 3.0µm TIN OVER Min 1.27µm NICKEL

2	CONTACT PIN KONTAKTSTIFT	CuZn	1
1	PIN HOUSING STIFTGEHÄUSE	PA 4/6	BLACK SCHWARZ
POS.	BENENNUNG EINZELTEIL	WERKSTOFF	OBERFLÄCHE
[ITEM NO.]	[DESCRIPTION]	[MATERIAL]	FARBE
			[FINISH]

THIS DRAWING IS A CONTROLLED DOCUMENT.	
DIMENSIONS: mm	TOLERANCES UNLESS OTHERWISE SPECIFIED: ±0.2mm
	0 PLC ± - 1 PLC ± - 2 PLC ± - 3 PLC ± - 4 PLC ± - ANGLES ± -
MATERIAL SEE TABLE	FINISH SEE TABLE

DWN MULLER	09FEB1990	STE TE Connectivity			
CHK SCHAARSCHMIDT	12FEB1990				
APVD -	-	NAME AMPMODU II PIN HEADER, SINGLE ROW			
PRODUCT SPEC 108-18012		SIZE A3	CAGE CODE 00779	DRAWING NO C-829539	RESTRICTED TO -
APPLICATION SPEC -		SCALE 4:1	SHEET 1 OF 1	REV F1	
CUSTOMER DRAWING					