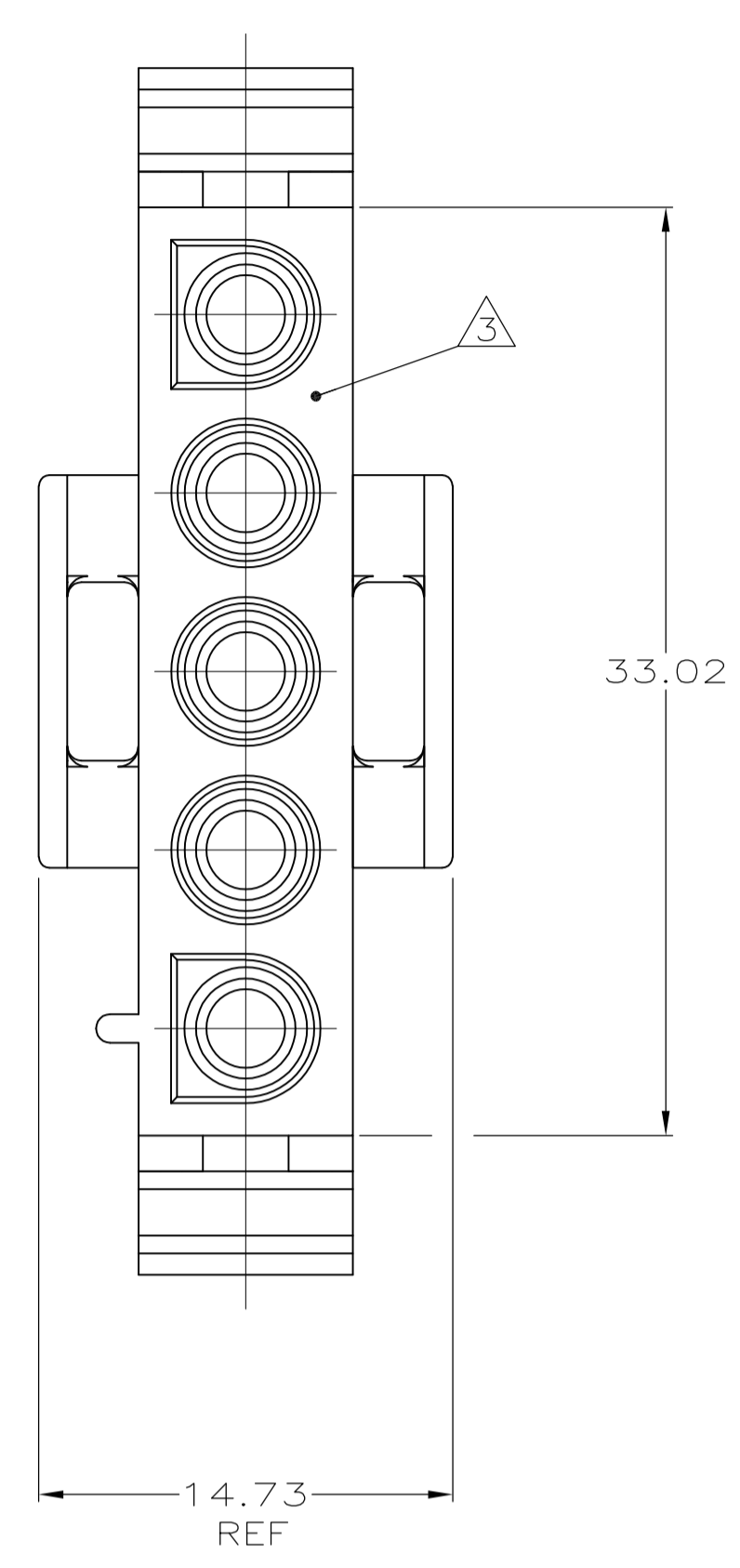
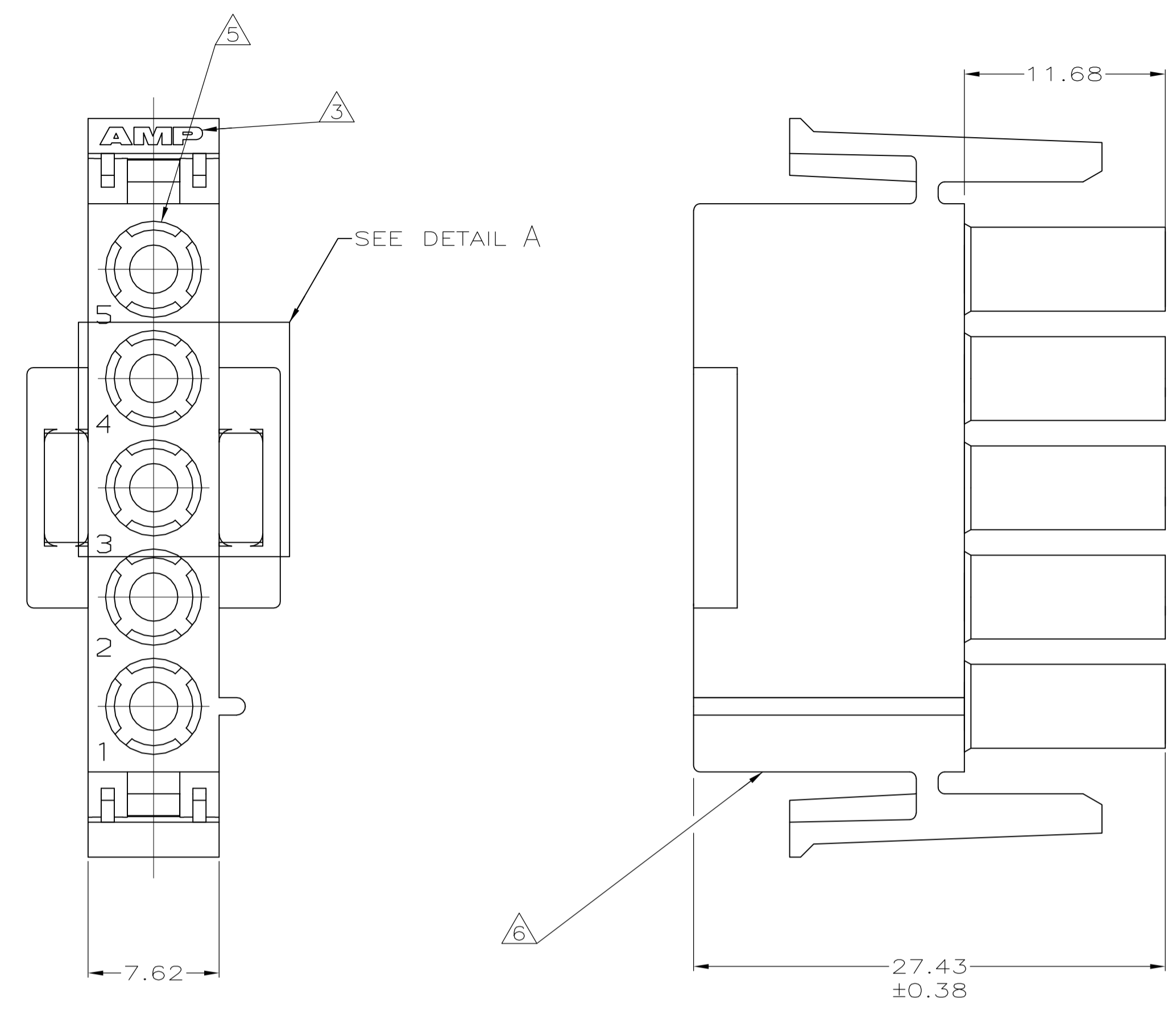
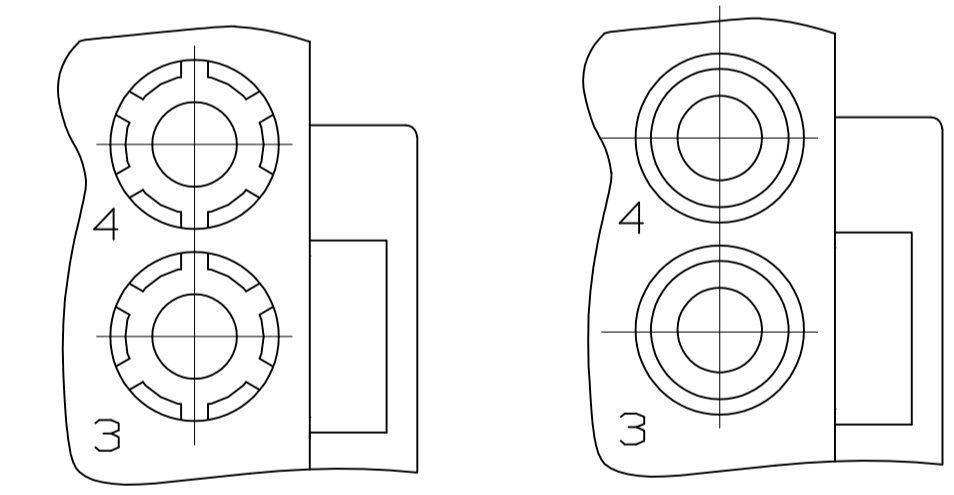
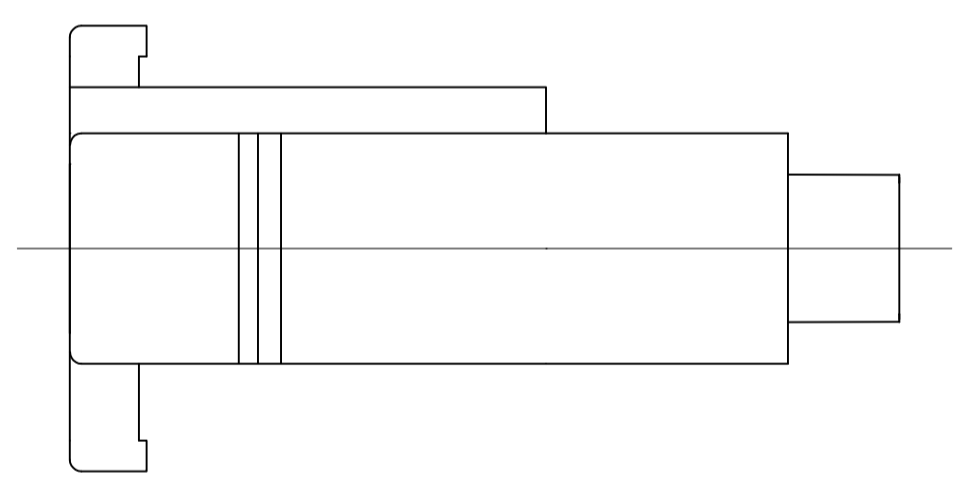


REVISIONS				
P	LTR	DESCRIPTION	DATE	OWN
A		REVISED PER ECO-17-011927	-	RS KR



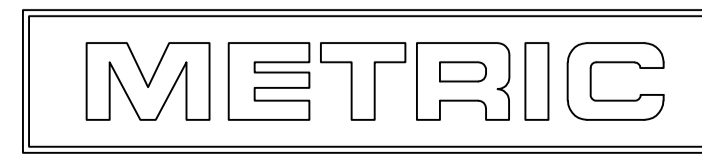
- MATES WITH APPROPRIATE UNIVERSAL MATE-N-LOK™ CAP OR HEADER.
- SMALL NICKS ARE PERMITTED ON THE CIRCUIT TOWERS WHICH COULD INCREASE THE INITIAL HOUSING MATING FORCE BY UP TO 4.4 NEWTONS [1.0 LBS]. NO INDIVIDUAL NICKED TOWER SHALL INCREASE THIS FORCE BY OVER 2.2 NEWTONS [.5 LBS].
- OPTIONAL: AMP LOGO MAY BE LOCATED ON THIS SURFACE.
- DIMENSIONS SHOWN REPRESENT PRODUCT IN DRY, AS MOLDED CONDITION ADDITIONAL 2% GROWTH DUE TO SUBSEQUENT MOISTURE ABSORPTION MAY OCCUR AND SHOULD BE ACCOUNTED FOR.
- FOUR RIBS EQUALLY SPACED, NO SPECIFIC ORIENTATION. NO RIBS OR SIX RIBS EQUALLY SPACED, NO SPECIFIC ORIENTATION, OPTIONAL.
- UNDERWRITERS RECOGNIZED COMPONENT LOGO AND CSA CERTIFICATION LOGO TO BE LOCATED ONCE EACH ON SIDE OF HOUSING.



DETAIL A
OPTIONAL CONSTRUCTIONS

MM	IN
33.02	1.300
27.43	1.080
14.73	.580
11.68	.460
7.62	.300
0.38	.015
0.13	.005
MM	IN

CONVERSION TABLE



794913-1
PART NUMBER

THIS DRAWING IS A CONTROLLED DOCUMENT.		DIN K. WHITAKER 20-MAR-2001		
DIMENSIONS: mm		CHK S. RIDGILL 20-MAR-2001		
TOLERANCES UNLESS OTHERWISE SPECIFIED:		APVD S. RIDGILL 20-MAR-2001	NAME PLUG, 5 CIRCUIT, UNIVERSAL MATE-N-LOK	
0 PLC ± -	1 PLC ± -	PRODUCT SPEC	SIZE A1	
2 PLC ± 0.13	3 PLC ± -	APPLICATION SPEC	CAGE CODE 794913	
4 PLC ± -	ANGLES ± -	RESTRICTED TO	WEIGHT 0.000000	
MATERIAL NYLON, UL 94V-2		FINISH -	CUSTOMER DRAWING	
		SCALE 4:1	SHEET 1 OF 1	
		REV A		