



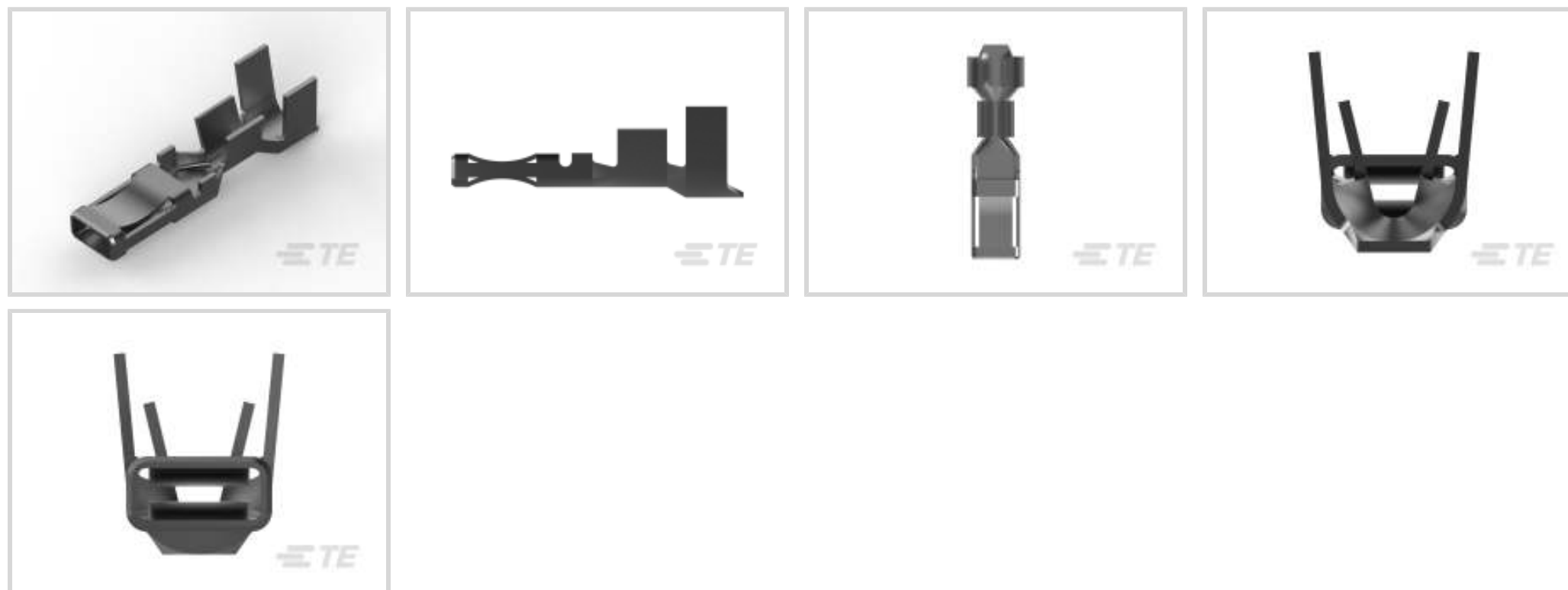
Timer Connector System

TE Internal #: 770642-1

Quick Disconnects, Receptacle, 20 – 14 AWG Wire Size, .51 – 2.08 mm² Wire Size, Mating Tab Width 3.18 mm [.125 in], Straight, Timer Connector System

[View on TE.com >](#)

Terminals & Splices > Quick Disconnects



Quick Disconnect Terminal Type: **Receptacle**

Wire Size: **.51 – 2.08 mm²**

Mating Tab Width: **3.18 mm [.125 in]**

Mating Tab Thickness: **.51 mm [.02 in]**

Features

Configuration Features

Connection Capacity	Single
Compatible With Wire & Cable Type	Discrete Wire

Contact Features

Quick Disconnect Terminal Type	Receptacle
Mating Tab Width	3.18 mm [.125 in]
Mating Tab Thickness	.51 mm [.02 in]
Terminal Orientation	Straight
Contact Base Material	Brass
Terminal Plating Material	Pre-Tin
Crimp Type	F-Crimp
Barrel Type	Open

Termination Features

Product Terminates To	Wire & Cable
-----------------------	--------------

Mechanical Attachment

--	--



Wire Insulation Support	With
-------------------------	------

Dimensions

Terminal Material Thickness	.33 mm[.013 in]
Product Length	16.89 mm[.665 in]
Compatible Insulation Diameter Range	2.84 – 3.12 mm[.112 – .123 in]
Wire Size	.51 – 2.08 mm ²

Usage Conditions

Insulation Option	Uninsulated
Operating Temperature Range	-40 – 110 °C[-40 – 230 °F]

Industry Standards

Agency/Standard	UL
-----------------	----

Packaging Features

Packaging Quantity	3200
Packaging Method	Strip/Reel

Product Compliance

[For compliance documentation, visit the product page on TE.com>](#)

EU RoHS Directive 2011/65/EU	Compliant
EU ELV Directive 2000/53/EC	Compliant
China RoHS 2 Directive MIIT Order No 32, 2016	No Restricted Materials Above Threshold
EU REACH Regulation (EC) No. 1907/2006	Current ECHA Candidate List: JUNE 2023 (235) Candidate List Declared Against: JAN 2023 (233) Does not contain REACH SVHC
Halogen Content	Low Halogen - Br, Cl, F, I < 900 ppm per homogenous material. Also BFR/CFR/PVC Free
Solder Process Capability	Not applicable for solder process capability

Product Compliance Disclaimer

This information is provided based on reasonable inquiry of our suppliers and represents our current actual knowledge based on the information they provided. This information is subject to change. The part numbers that TE has identified as EU RoHS compliant have a maximum concentration of 0.1% by weight in homogenous materials for lead, hexavalent chromium, mercury, PBB, PBDE, DBP, BBP, DEHP, DIBP, and 0.01% for cadmium, or qualify for an exemption to these limits as defined in the Annexes of Directive 2011/65/EU (RoHS2). Finished electrical and electronic equipment products will be CE marked as required by Directive 2011/65/EU. Components may not be CE marked. Additionally, the part numbers that TE has identified as EU ELV compliant have a maximum concentration of 0.1% by weight in homogenous materials for lead, hexavalent chromium, and mercury, and 0.01% for cadmium, or qualify for an exemption to these limits

as defined in the Annexes of Directive 2000/53/EC (ELV). Regarding the REACH Regulation, the information TE provides on SVHC in articles for this part number is based on the latest European Chemicals Agency (ECHA) 'Guidance on requirements for substances in articles' posted at this URL: <https://echa.europa.eu/guidance-documents/guidance-on-reach>

Compatible Parts



TE Part # 2305570-1
Strip Terminal Cutter-Side Feed-No Crimp



TE Part # 2-2151385-1
OCEAN-2.0-APPLICATOR-S-090F155F



TE Part # 2-2151385-2
OCEAN-2.0-APPLICATOR-S-090F155F



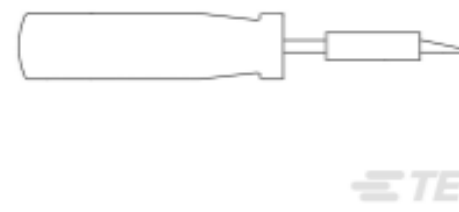
TE Part # 2151385-1
OCEAN-2.0-APPLICATOR-S-090F155F



TE Part # 2151385-2
OCEAN-2.0-APPLICATOR-S-090F155F




TE Part # 7-2151385-7
OCEAN_2.0_SPARE_PART_KIT-090F155F



TE Part # 844751-1
EXTRACTION TOOL ASSY


Also in the Series | Timer Connector System




Automotive Connector Caps & Covers (12)



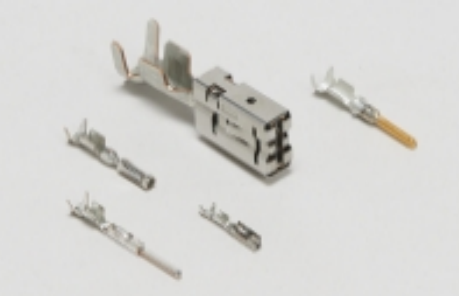
Automotive Connector Locks & Position Assurance(17)



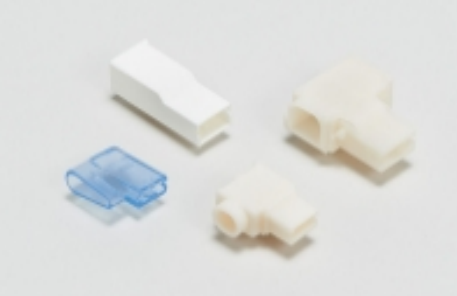
Automotive Housings(235)




Automotive Seals & Cavity Plugs(32)



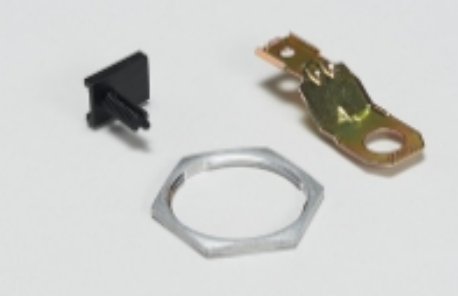
Automotive Terminals(145)



Crimp Terminal Housings(13)



Insertion & Extraction Tools(19)



Other Automotive Connector Accessories(1)

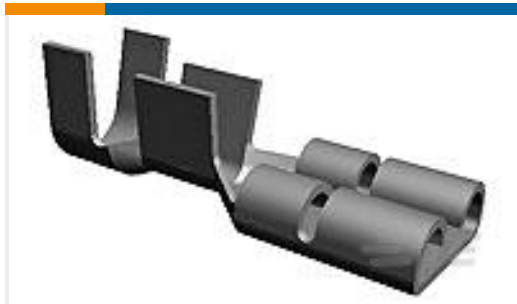
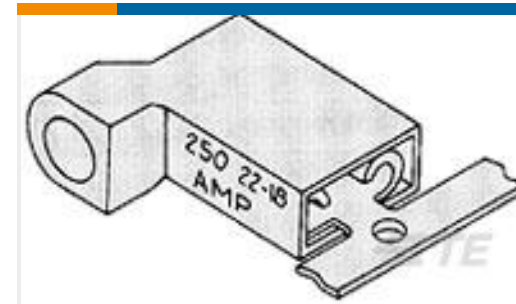


PCB Headers & Receptacles(82)



Quick Disconnects(4)

Customers Also Bought

TE Part #63475-2
187 FASTON REC 20-16 AWG TPBRTE Part #63477-2
187 FASTON REC 20-16 AWG TPBRTE Part #63365-2
250 FASTON REC 14-10 AWG TPBRTE Part #2-521164-2
205 ULTRA-FAST ASY REC FLAG 22-18 TPBRTE Part #964201-1
STD TIMER CONTACTTE Part #6-1393144-5
K10P-11D55-110=K10/K20TE Part #2238135-2
RECEPTACLE, POSITIVE-LOCK, RAST 6.35TE Part #207893-1
CONTACT PIN ASSY.TE Part #42095-1
250 FASTON TAB TPBRTE Part #2238136-2
RECEPTACLE, POSITIVE-LOCK, RAST 6.35

Documents

Product Drawings

TIMER CONNECTOR TERMINAL 20-14 AWG PTPBR

English

CAD Files

3D PDF

3D

Customer View Model

ENG_CVM_CVM_770642-1_S_c-770642-1-s.2d_dxf.zip



English

Customer View Model

[ENG_CVM_CVM_770642-1_S_c-770642-1-s.3d_igs.zip](#)

English

Customer View Model

[ENG_CVM_CVM_770642-1_S_c-770642-1-s.3d_stp.zip](#)

English

By downloading the CAD file I accept and agree to the [Terms and Conditions](#) of use.

Product Specifications

[Application Specification](#)

English

Product Environmental Compliance

[TE Material Declaration](#)

English