

THIS DRAWING IS UNPUBLISHED.

RELEASED FOR PUBLICATION

20

© COPYRIGHT 20

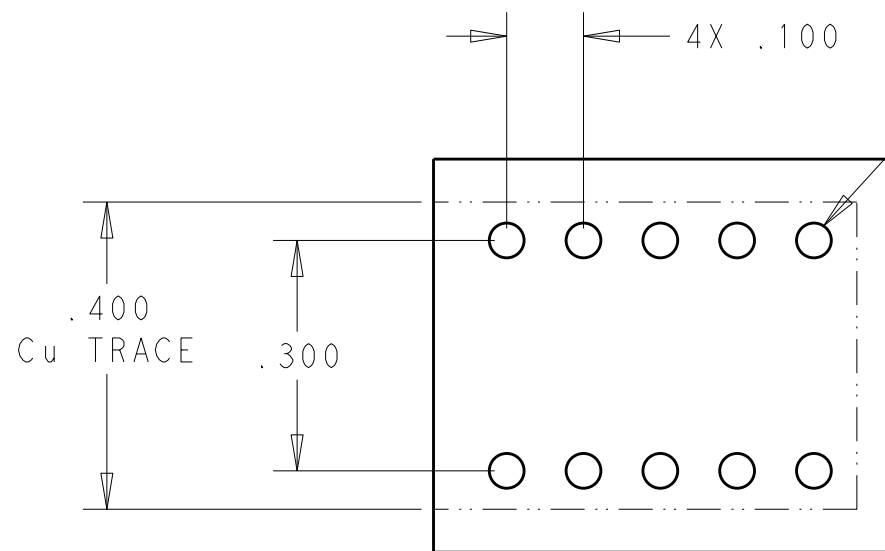
TE

ALL RIGHTS RESERVED.

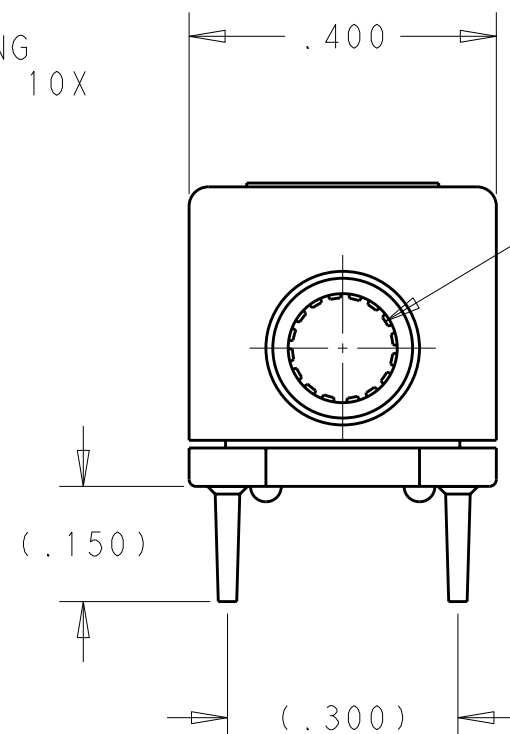
LOC GP DIST 00

REVISIONS

P	LTR	DESCRIPTION	DATE	DWN	APVD
	B	REV PER ECO-11-007678	18MAY2011	RG	DO

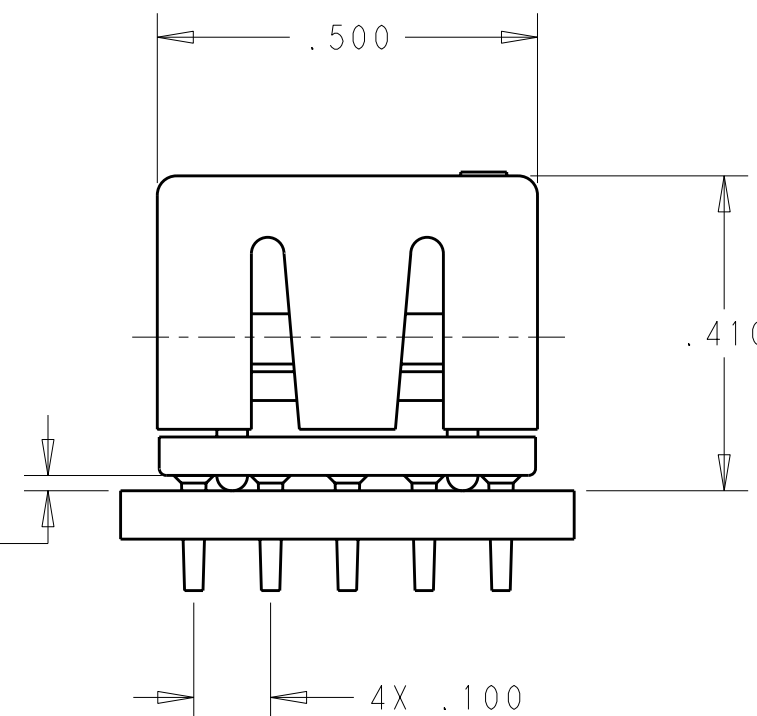


DRILLED HOLE  
 $\varnothing .0453 \pm .001$   
 AFTER PLATING  
 $\varnothing .043 / .037, 10X$



CROWN

5 .020  
 BOARD  
 STAND-OFF



1. PART NUMBER CHANGES AND/OR DESIGN CHANGES AFFECTING ITEM INTERCHANGEABILITY REQUIRE PRIOR TE APPROVAL AND AUTHORIZATION BY REVISION TO THIS DRAWING.

2. ITEMS PROVIDED TO THIS SPECIFICATION SHALL BE IDENTIFIED ON CONTAINER WITH THE FOLLOWING INFORMATION, PART NUMBER AND DATE CODE OF MANUFACTURE.


3. MATERIAL:  
 INSULATOR - POLYESTER, GLASS FILLED, UL94 V-O RATED, COLOR: BLACK  
 MODULE - METAL CASTING  
 CROWN - BeCu  
 CONTACT - BRASS

4. FINISH:  
 INSERT - SILVER PLATED .000200 MIN THK. OVER NICKEL .000040 MIN THK.  
 CROWN - GOLD PLATED .000030 MIN THK. OVER NICKEL .000040 MIN THK.

5 A FIVE POUND (5lb) FORCES REQUIRED TO CORRECTLY SEAT THE CONNECTOR WITH PLATED THRU HOLES LESS THEN  $\varnothing .040$ .

6643232-1

PART NUMBER

THIS DRAWING IS A CONTROLLED DOCUMENT.		DWN 18MAY2011 LOVATO/GRZYBOWSKI	 TE Connectivity	
DIMENSIONS: INCHES		CHK D.ORRIS		
TOLERANCES UNLESS OTHERWISE SPECIFIED:		APVD 18MAY2011 CHAU/ORRIS	NAME ICCON SOCKET, PARALLEL 10 PIN FOOTPRINT, SOLDER STYLE	
0 PLC ±-		PRODUCT SPEC	-	
1 PLC ±-		APPLICATION SPEC	-	
2 PLC ±-		WEIGHT	-	
3 PLC ±.020		CUSTOMER DRAWING	SCALE 4:1	SHEET 1 OF 1
4 PLC ±-				REV B
ANGLES ±.5				
MATERIAL -			SIZE A3	CAGE CODE 00779
FINISH -			DRAWING NO C-6643232	RESTRICTED TO -