

CLOUD CLIENT 1101T-TX/TX - Router



1221706

<https://www.phoenixcontact.com/us/products/1221706>

Please be informed that the data shown in this PDF document is generated from our online catalog. Please find the complete data in the user documentation. Our general terms of use for downloads are valid.



Industrial VPN gateway for mGuard Secure Cloud, IPsec communication via operator network, 1 WAN port, 1 LAN port, routing function, 1 digital input, 1 digital output

Product description

The CLOUD CLIENT TX/TX is positioned as a cost-effective field device for secure remote maintenance scenarios via the operator network. The devices are optimized for use with the mGuard Secure Cloud. For this reason, all CLOUD CLIENT devices support Virtual Private Networks (VPNs) as standard. A scope of functions optimized for the mGuard Secure Cloud enables quick startup of the devices in the field.

Your advantages

- Secure communication via IPsec
- Configuration via web-based management or microSD card
- Cloud-based VPN infrastructure from Phoenix Contact
- Turnkey VPN infrastructure for operators, machine builders, and systems manufacturers
- Secure and reliable, thanks to industry-proven mGuard security technology

Commercial data

| | |
|--------------------------------------|---------------|
| Item number | 1221706 |
| Packing unit | 1 pc |
| Minimum order quantity | 1 pc |
| Sales key | DN25 |
| Product key | DNC422 |
| GTIN | 4063151310271 |
| Weight per piece (including packing) | 326 g |
| Weight per piece (excluding packing) | 326 g |
| Customs tariff number | 85176200 |
| Country of origin | DE |

1221706

<https://www.phoenixcontact.com/us/products/1221706>

Technical data

Notes

Utilization restriction

| | |
|------------|---|
| CCCex note | Use in potentially explosive areas is not permitted in China. |
|------------|---|

Product properties

| | |
|--------------|----------------------------|
| Product type | Remote maintenance gateway |
|--------------|----------------------------|

Insulation characteristics

| | |
|------------------|---|
| Pollution degree | 2 |
|------------------|---|

Electrical properties

| | |
|---|-----------------------|
| Electrical isolation | VCC // FE // Ethernet |
| Maximum power dissipation for nominal condition | 4.8 W |
| Mains type | Ethernet |

Supply

| | |
|-----------------------------|--|
| Supply voltage range | 10 V DC ... 30 V DC (SELV, via pluggable Push-in terminal block) |
| Typical current consumption | < 200 mA (24 V DC) |
| Max. current consumption | 500 mA |

Function

| | |
|------------|----------------------|
| Management | Web-based management |
|------------|----------------------|

Input data

Digital

| | |
|----------------------------|---------------------|
| Description of the input | Digital input |
| Number of inputs | 1 |
| Voltage input signal | 10 V DC ... 30 V DC |
| Switching level "1" signal | 10 V DC ... 30 V DC |

Output data

Signal

| | |
|-----------------------|--|
| Output name | Digital output |
| Number of outputs | 1 |
| Voltage output signal | 10 V DC ... 30 V DC (depending on the operating voltage) |
| Current output signal | ≤ 50 mA (Not short-circuit proof) |

Connection data

Supply

| | |
|-----------------------------------|---|
| Conductor cross section, flexible | 0.14 mm ² ... 1.50 mm ² |
| Conductor cross section, rigid | 0.14 mm ² ... 1.50 mm ² |

CLOUD CLIENT 1101T-TX/TX - Router



1221706

<https://www.phoenixcontact.com/us/products/1221706>

| | |
|-----------------------------|-----------|
| Conductor cross section AWG | 26 ... 16 |
|-----------------------------|-----------|

Interfaces

| | |
|--------|----------|
| Signal | Ethernet |
|--------|----------|

Data: Ethernet interface, 10/100Base-T(X) in accordance with IEEE 802.3

| | |
|---------------------------|-------------------------------|
| Serial transmission speed | 10/100 Mbps, auto negotiation |
| Connection method | RJ45 jack, shielded |
| No. of channels | 2 (LAN + WAN, SELV) |
| Transmission length | 100 m (shielded twisted pair) |
| Protocols supported | TCP/IP, UDP/IP, FTP, HTTP(S) |
| Auxiliary protocols | ARP, DHCP, PING (ICMP) |

Dimensions

| | |
|--------|--------|
| Width | 45 mm |
| Height | 130 mm |
| Depth | 126 mm |

Material specifications

| | |
|----------|---------|
| Material | Plastic |
|----------|---------|

Environmental and real-life conditions

Ambient conditions

| | |
|--|--------------------------------|
| Degree of protection | IP20 |
| Ambient temperature (operation) | -40 °C ... 70 °C |
| Ambient temperature (storage/transport) | -40 °C ... 85 °C |
| Permissible humidity (operation) | 10 % ... 95 % (non-condensing) |
| Permissible humidity (storage/transport) | 10 % ... 95 % (non-condensing) |

Approvals

CE

| | |
|-------------|--------------|
| Certificate | CE-compliant |
|-------------|--------------|

UL, USA/Canada

| | |
|----------------|---|
| Identification | Class I, Zone 2, AEx nA IIC T4 / Ex nA IIC T4 Gc Class I, Div. 2, Groups A, B, C, D T4 |
|----------------|---|

Corrosive gas test

| | |
|----------------|----------------------------------|
| Identification | ISA-S71.04-1985 G3 Harsh Group A |
|----------------|----------------------------------|

EMC data

| | |
|-------------------------------|---|
| Noise immunity | EN 61000-6-2 |
| Electromagnetic compatibility | Conformance with EMC Directive 2014/30/EU |

Electrostatic discharge

| | |
|-----------------------|--------------|
| Standards/regulations | EN 61000-4-2 |
|-----------------------|--------------|

CLOUD CLIENT 1101T-TX/TX - Router



1221706

<https://www.phoenixcontact.com/us/products/1221706>

Electrostatic discharge

| | |
|-------------------|-----------------------|
| Contact discharge | ± 6 kV (Test Level 3) |
| Discharge in air | ± 8 kV (Test Level 3) |
| Comments | Criterion B |

Electromagnetic HF field

| | |
|-----------------------|--------------|
| Standards/regulations | EN 61000-4-3 |
|-----------------------|--------------|

Electromagnetic HF field

| | |
|-----------------|---------------------------------|
| Frequency range | 80 MHz ... 3 GHz (Test Level 3) |
| Field intensity | 10 V/m |
| Comments | Criterion A |

Fast transients (burst)

| | |
|-----------------------|--------------|
| Standards/regulations | EN 61000-4-4 |
|-----------------------|--------------|

Fast transients (burst)

| | |
|----------|-----------------------|
| Input | ± 2 kV (Test Level 3) |
| Signal | ± 2 kV (Ethernet) |
| Comments | Criterion B |

Surge current load (surge)

| | |
|-----------------------|--------------|
| Standards/regulations | EN 61000-4-5 |
|-----------------------|--------------|

Surge current load (surge)

| | |
|----------|----------------------------------|
| Input | ± 0.5 kV (symmetrical) |
| | ± 1 kV (asymmetrical) |
| Signal | ± 1 kV (Data line, asymmetrical) |
| Comments | Criterion B |

Conducted interference

| | |
|-----------------------|--------------|
| Standards/regulations | EN 61000-4-6 |
|-----------------------|--------------|

Conducted interference

| | |
|-----------------|---------------------|
| Frequency range | 0.15 MHz ... 80 MHz |
| Comments | Criterion A |
| Voltage | 10 V |

Emitted interference

| | |
|--|--|
| Radio interference voltage in acc. with EN 55011 | Class B, area of application: Industry and residential |
| Emitted radio interference in acc. with EN 55011 | Class B, area of application: Industry and residential |

Criteria

| | |
|-------------|--|
| Criterion A | Normal operating behavior within the specified limits. |
| Criterion B | Temporary impairment to operational behavior that is corrected by the device itself. |

Mounting

CLOUD CLIENT 1101T-TX/TX - Router



1221706

<https://www.phoenixcontact.com/us/products/1221706>

| | |
|---------------|-------------------|
| Mounting type | DIN rail mounting |
|---------------|-------------------|

CLOUD CLIENT 1101T-TX/TX - Router

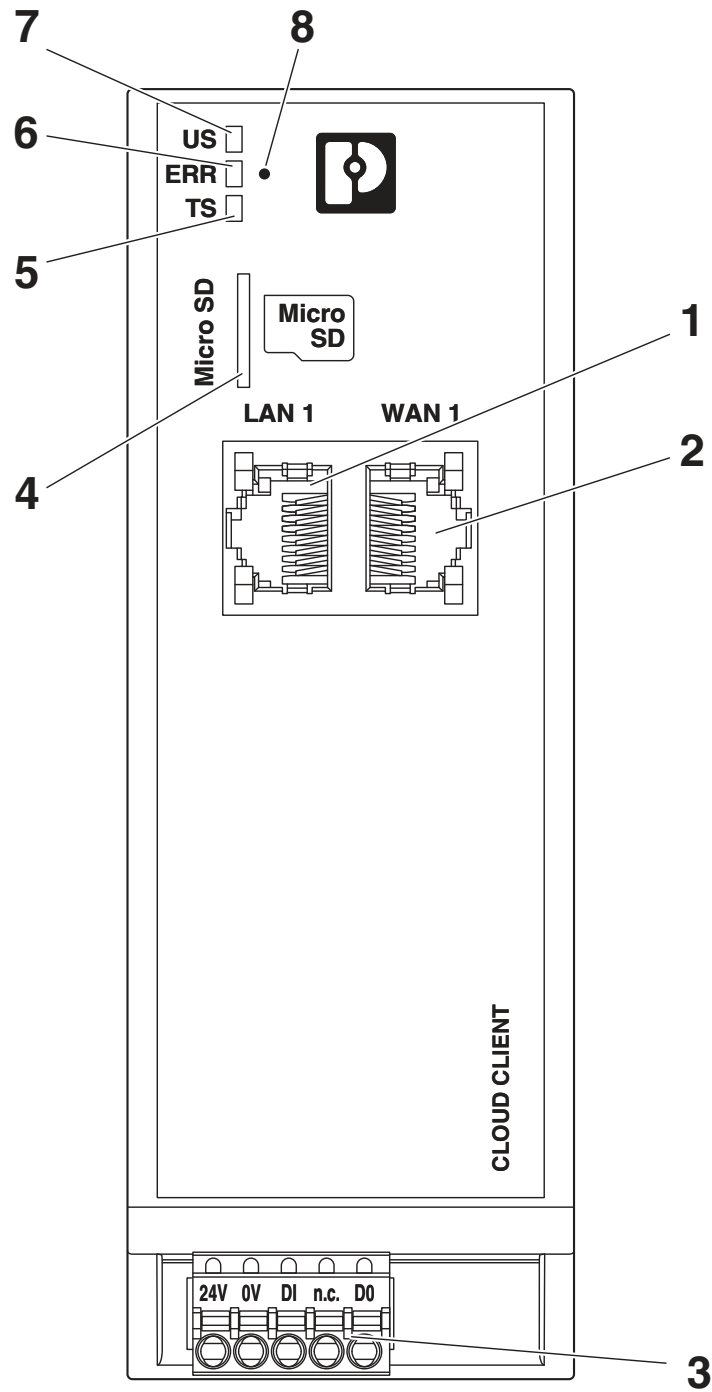


1221706

<https://www.phoenixcontact.com/us/products/1221706>

Drawings

Schematic diagram



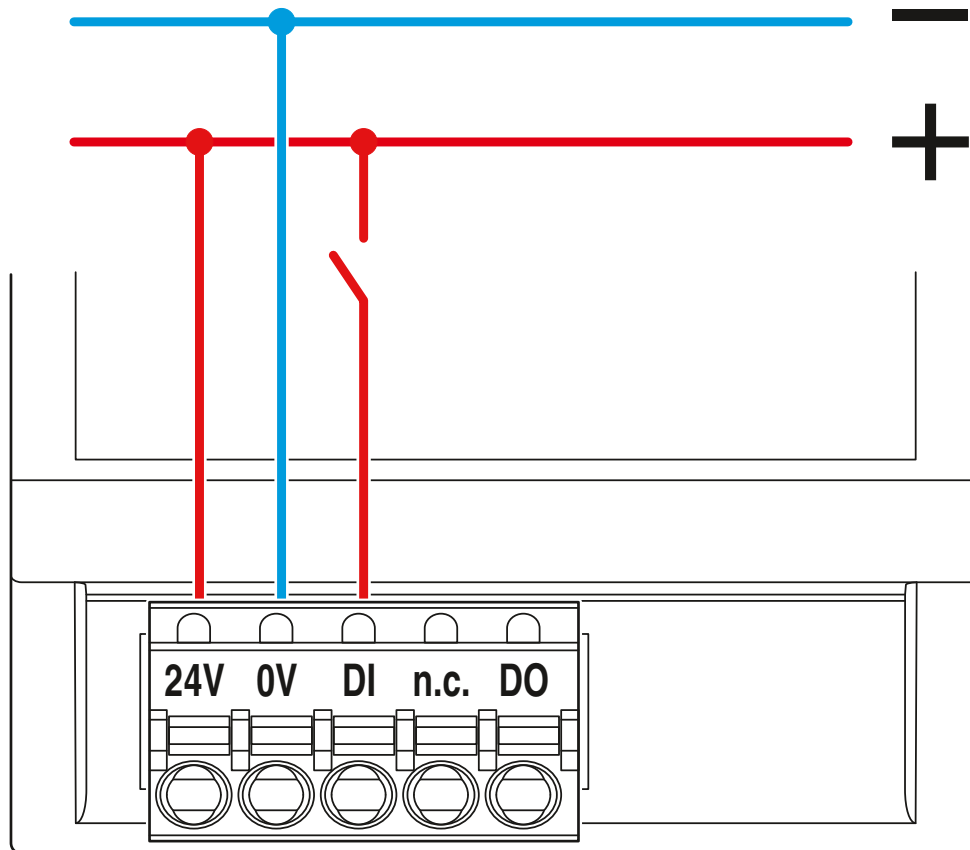
Front view

CLOUD CLIENT 1101T-TX/TX - Router

1221706

<https://www.phoenixcontact.com/us/products/1221706>

Connection diagram



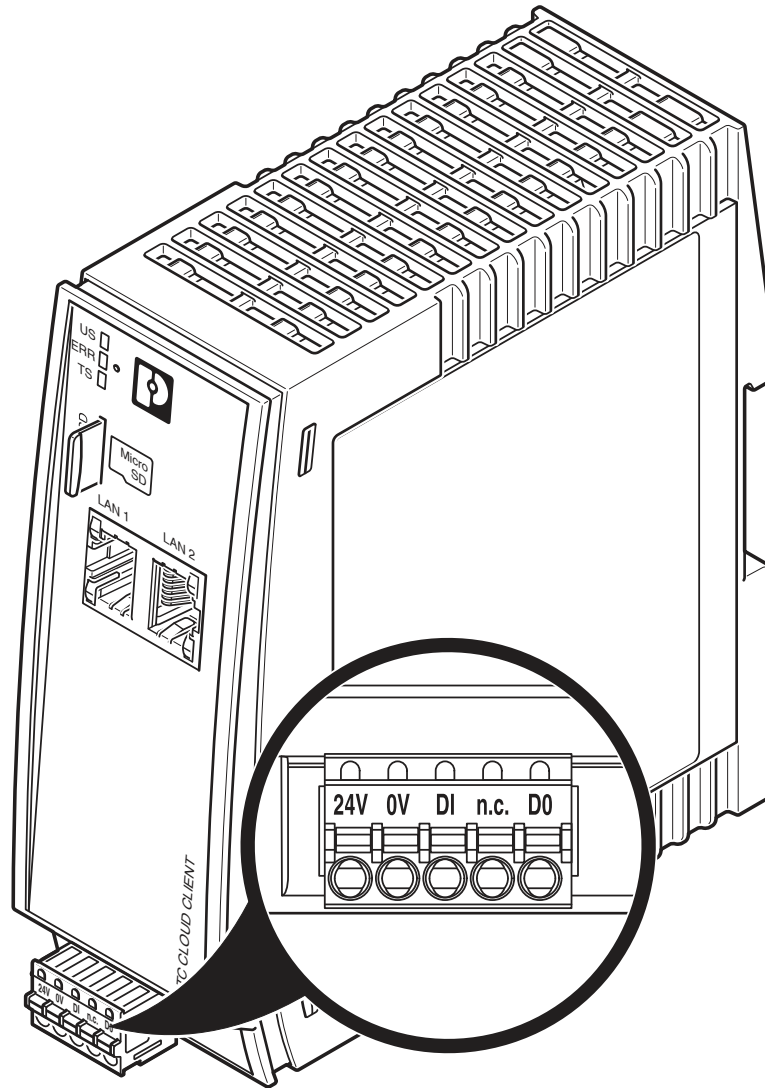
Switching input and switching output

CLOUD CLIENT 1101T-TX/TX - Router

1221706

<https://www.phoenixcontact.com/us/products/1221706>

Schematic diagram



Connecting the supply voltage

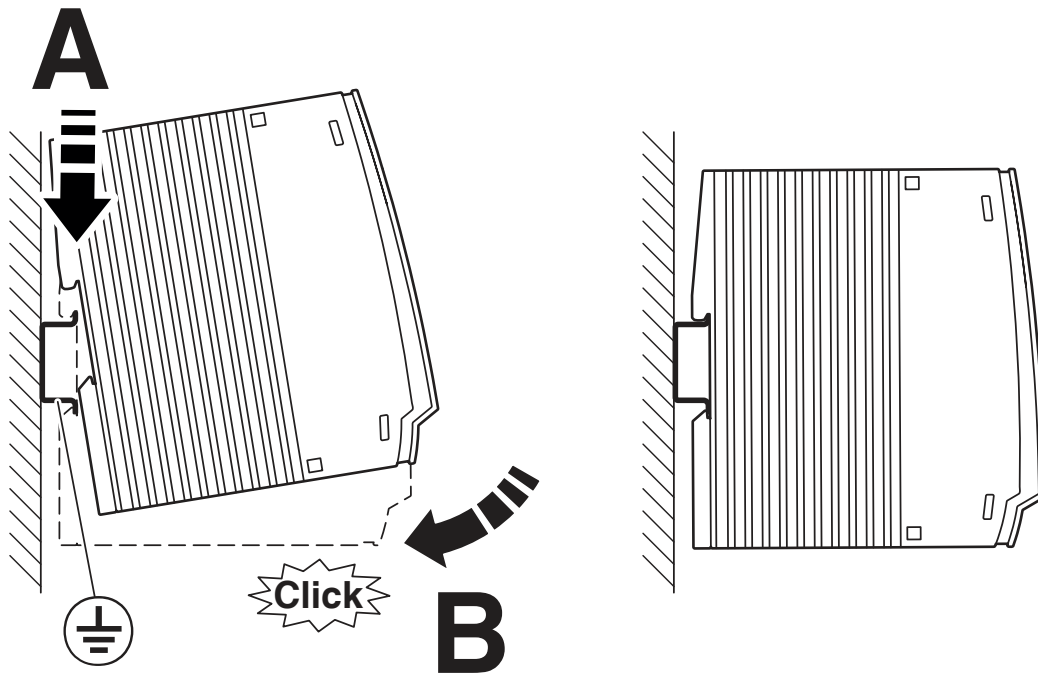
CLOUD CLIENT 1101T-TX/TX - Router



1221706

<https://www.phoenixcontact.com/us/products/1221706>

Schematic diagram



DIN rail mounting

CLOUD CLIENT 1101T-TX/TX - Router



1221706

<https://www.phoenixcontact.com/us/products/1221706>

Approvals

🔗 To download certificates, visit the product detail page: <https://www.phoenixcontact.com/us/products/1221706>



cULus Listed

Approval ID: FILE E 238705



cULus Listed

Approval ID: FILE E 366272

CLOUD CLIENT 1101T-TX/TX - Router



1221706

<https://www.phoenixcontact.com/us/products/1221706>

Classifications

ECLASS

| | |
|-------------|----------|
| ECLASS-11.0 | 19170405 |
| ECLASS-12.0 | 19170405 |
| ECLASS-13.0 | 19170405 |

ETIM

| | |
|----------|----------|
| ETIM 8.0 | EC001478 |
|----------|----------|

UNSPSC

| | |
|-------------|----------|
| UNSPSC 21.0 | 43222600 |
|-------------|----------|

CLOUD CLIENT 1101T-TX/TX - Router



1221706

<https://www.phoenixcontact.com/us/products/1221706>

Accessories

TRIO-PS-2G/1AC/24DC/3/C2LPS - Power supply unit

2903147

<https://www.phoenixcontact.com/us/products/2903147>

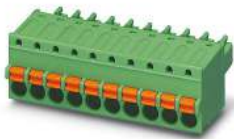


Primary-switched TRIO POWER power supply with push-in connection for DIN rail mounting, input: 1-phase, output: 24 V DC/3 A C2LPS

FK-MCP 1,5/ 5-ST-3,81GY35BD-D0 - PCB connector

1105116

<https://www.phoenixcontact.com/us/products/1105116>



PCB connector, nominal cross section: 1.5 mm², color: light grey, nominal current: 8 A, rated voltage (III/2): 160 V, contact surface: Tin, contact connection type: Socket, number of rows: 1, number of positions: 5, product range: FK-MCP 1,5/..-ST, pitch: 3.81 mm, connection method: Push-in spring connection, conductor/PCB connection direction: 0 °, plug-in system: COMBICON MC 1,5, locking: without, mounting: without, type of packaging: packed in cardboard

Phoenix Contact 2023 © - all rights reserved

<https://www.phoenixcontact.com>

Phoenix Contact USA

586 Fulling Mill Road

Middletown, PA 17057, United States

(+717) 944-1300

info@phoenixcon.com