



Connectors &gt; Power Connectors &gt; Power Contacts

Power Contact Type: **Contact**Operating Voltage: **600 VDC**Contact Mating Area Plating Material: **Gold**Wire Size: **26 – 22 AWG**

## Features

### Product Type Features

Compatible With Discrete Wire Type	Stranded
Power Contact Type	Contact
Connector & Contact Terminates To	Wire & Cable

### Electrical Characteristics

Operating Voltage	600 VDC
-------------------	---------

### Contact Features

Contact Mating Area Plating Material	Gold
Contact Current Rating (Max)	9.5 A
Contact Type	Socket
Contact Retention Within Housing	With
Mating Pin Diameter	1 mm [.039 in]
Contact Base Material	Brass
Contact Mating Area Plating Material Thickness	.76 µm [30 µin]
Wire Contact Termination Area Plating Thickness	2.54 µm [100 µin]
Wire Contact Termination Area Plating Material	Tin-Lead

Wire Contact Termination Area Plating Material Finish	Bright
Contact Orientation	Straight
Contact Underplating Material	Nickel
Contact Underplating Material Thickness	1.27 µm[50 µin]

### Termination Features

Termination Method to Wire & Cable	Crimp
------------------------------------	-------

### Mechanical Attachment

Wire Insulation Support	Without
-------------------------	---------

### Dimensions

Wire Size	.12 – .4 mm <sup>2</sup>
Compatible Insulation Diameter Range	1.19 – 1.75 mm[.047 – .069 in]

### Usage Conditions

Operating Temperature Range	-55 – 105 °C[-67 – 221 °F]
-----------------------------	----------------------------

### Operation/Application

Circuit Application	Power
---------------------	-------

### Industry Standards

CSA Rating	Certified, LR 7189
UL Rating	Recognized
Agency/Standard	CSA, UL

### Packaging Features

Packaging Quantity	1000
Packaging Method	Bag

### Product Compliance

[For compliance documentation, visit the product page on TE.com>](#)

EU RoHS Directive 2011/65/EU	Not Compliant
EU ELV Directive 2000/53/EC	Compliant with Exemptions
China RoHS 2 Directive MIIT Order No 32, 2016	Restricted Materials Above Threshold
EU REACH Regulation (EC) No. 1907/2006	Current ECHA Candidate List: JUNE 2023 (235) Candidate List Declared Against: JAN 2023 (233) SVHC > Threshold:

Pb (13% in Component Part)

Article Safe Usage Statements:

Do not eat, drink or smoke when using this product. Wash thoroughly after handling. Recycle if possible and dispose of the article by following all applicable governmental regulations relevant to your geographic location.

Halogen Content

Low Halogen - Br, Cl, F, I < 900 ppm per homogenous material. Also BFR/CFR/PVC Free

Solder Process Capability

Not applicable for solder process capability

Product Compliance Disclaimer

This information is provided based on reasonable inquiry of our suppliers and represents our current actual knowledge based on the information they provided. This information is subject to change. The part numbers that TE has identified as EU RoHS compliant have a maximum concentration of 0.1% by weight in homogenous materials for lead, hexavalent chromium, mercury, PBB, PBDE, DBP, BBP, DEHP, DIBP, and 0.01% for cadmium, or qualify for an exemption to these limits as defined in the Annexes of Directive 2011/65/EU (RoHS2). Finished electrical and electronic equipment products will be CE marked as required by Directive 2011/65/EU. Components may not be CE marked. Additionally, the part numbers that TE has identified as EU ELV compliant have a maximum concentration of 0.1% by weight in homogenous materials for lead, hexavalent chromium, and mercury, and 0.01% for cadmium, or qualify for an exemption to these limits as defined in the Annexes of Directive 2000/53/EC (ELV). Regarding the REACH Regulation, the information TE provides on SVHC in articles for this part number is based on the latest European Chemicals Agency (ECHA) 'Guidance on requirements for substances in articles' posted at this URL: <https://echa.europa.eu/guidance-documents/guidance-on-reach>

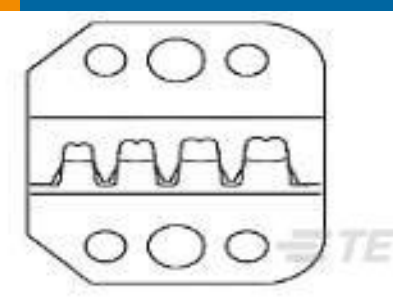
## Compatible Parts




TE Part # CAT-AM71-C83998EE  
Mini Circular Plastic Connectors (CPC)



TE Part # 91529-1  
CCII MINI-UMNL PIN 26-22 ASSY



TE Part # 90758-2  
PROCRIMP DIE MINI UNIV MNL



TE Part # 455830-1  
INSERTION TOOL



TE Part # 770586-1  
22P MINI UMNL PLUG HSG



TE Part # 794942-1  
10P MINI UMNL CAP HSG



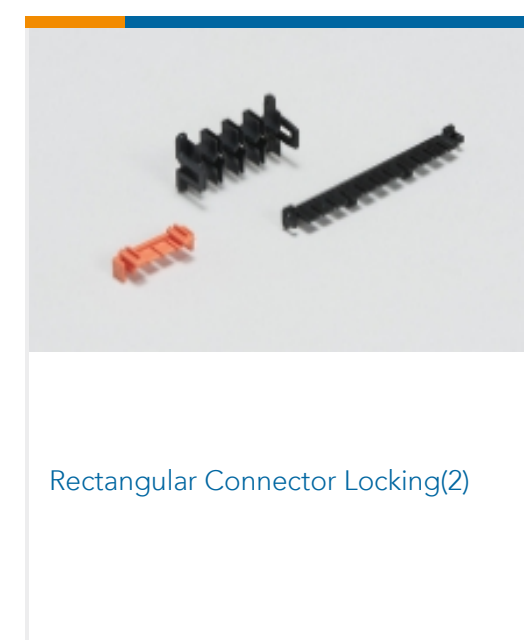
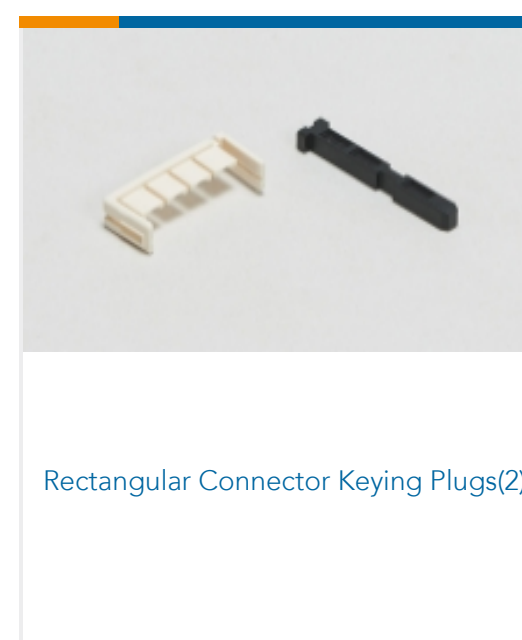
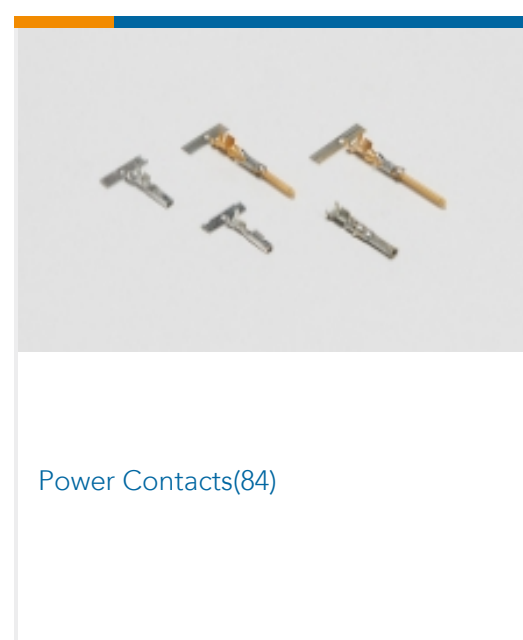
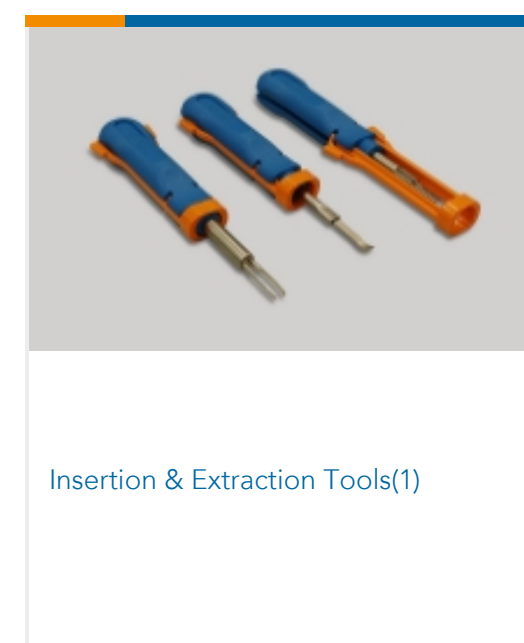
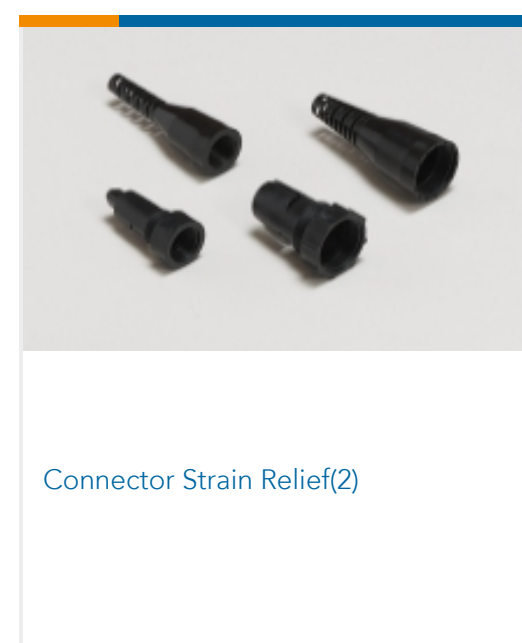
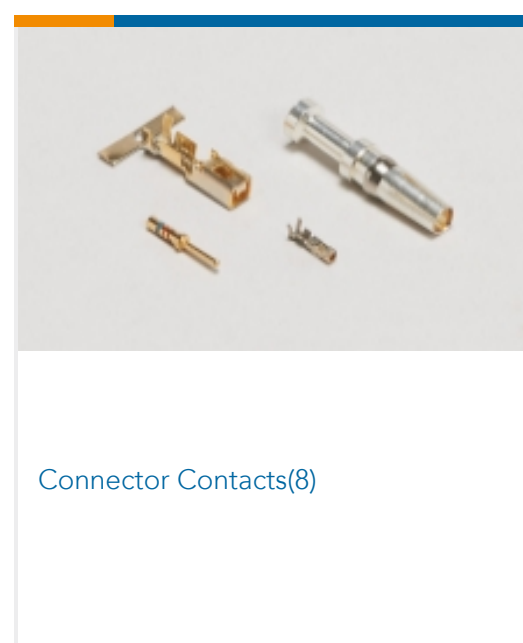
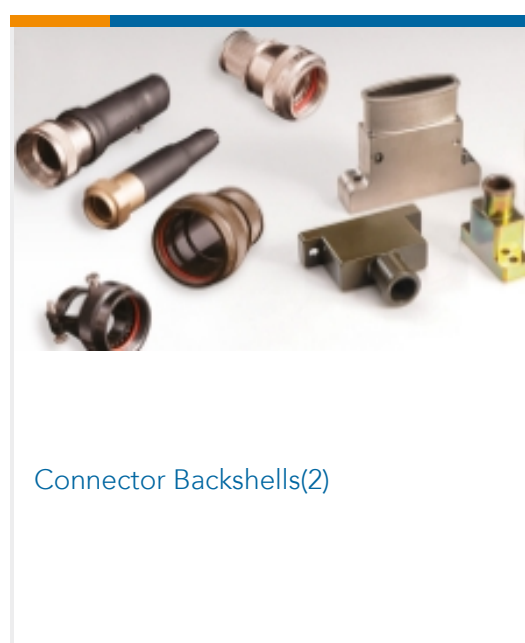
TE Part # 770587-1  
24P MINI UMNL PLUG HSG

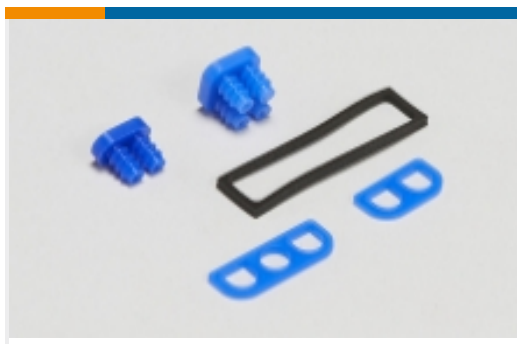


TE Part # 770582-1  
14P MINI UMNL PLUG HSG



## Also in the Series | Mini-Universal MATE-N-LOK



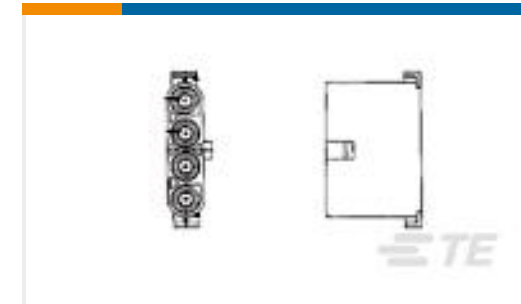
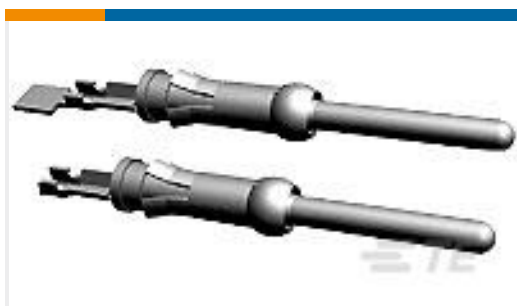
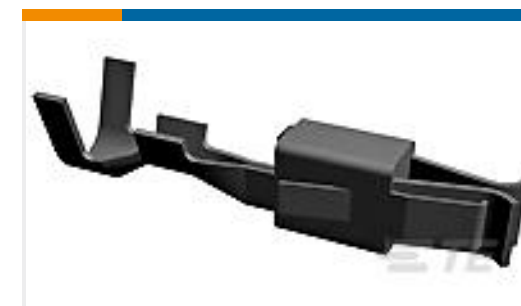


Rectangular Connector Seals(17)



Rectangular Power Connectors(243)

## Customers Also Bought

TE Part #1445820-3  
PLUG,11-5,LG INS,STD KEYTE Part #212618-1  
CONTACT PIN ASSY.TE Part #770988-3  
MINI UMNL SOK 22-18AWG AU LPTE Part #794413-1  
03P .156 MNL CAP HSGTE Part #1-66099-2  
III+ PIN,18-16,TIN-LEAD,SMPACKTE Part #31428-1  
BUDGET,RING,26-22,4,UNPLTDTE Part #2-320564-3  
TERMINAL,PIDG R 16-14 3/8TE Part #2-929937-1  
JPT REC 2.8 Contact SWS AuTE Part #2-34155-1  
PG SPD 22-16 COMM 22-18 MIL 8

## Documents

### Product Drawings

[MINI UMNL SOK 26-22AWG AU LP](#)

English

### CAD Files

[3D PDF](#)

[3D](#)

[Customer View Model](#)

[ENG\\_CVM\\_CVM\\_770986-3\\_D.2d\\_dxf.zip](#)



English

Customer View Model

[ENG\\_CVM\\_CVM\\_770986-3\\_D.3d\\_igs.zip](#)

English

Customer View Model

[ENG\\_CVM\\_CVM\\_770986-3\\_D.3d\\_stp.zip](#)

English

3D PDF

English

Customer View Model

[ENG\\_CVM\\_770986-3\\_H.2d\\_dxf.zip](#)

English

Customer View Model

[ENG\\_CVM\\_770986-3\\_H.3d\\_igs.zip](#)

English

Customer View Model

[ENG\\_CVM\\_770986-3\\_H.3d\\_stp.zip](#)

English

By downloading the CAD file I accept and agree to the [Terms and Conditions](#) of use.

---

### Datasheets & Catalog Pages

[SOFT\\_SHELL\\_PIN\\_AND\\_SOCKET\\_CONNECTORS\\_CATALOG](#)

English

---

### Product Specifications

[Application Specification](#)

English

---

### Product Environmental Compliance

[MD\\_770986-3\\_040420142317\\_dmtec](#)

English

[MD\\_770986-3\\_040420142317\\_dmtec](#)

English

---

### Instruction Sheets

[Instruction Sheet \(U.S.\)](#)

English