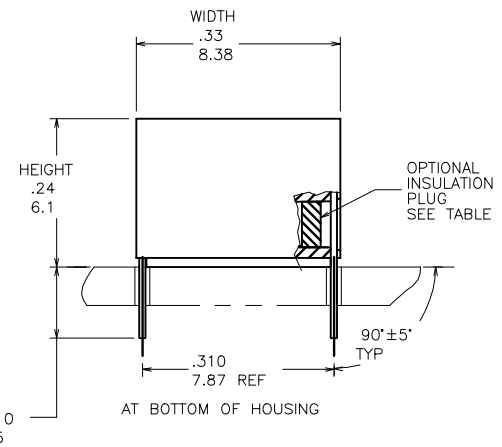
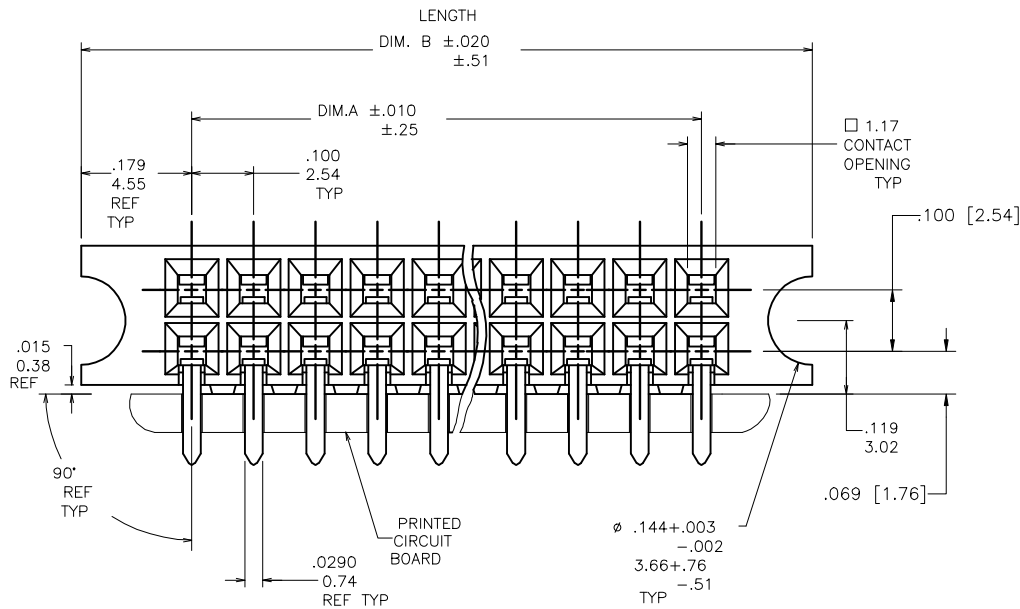
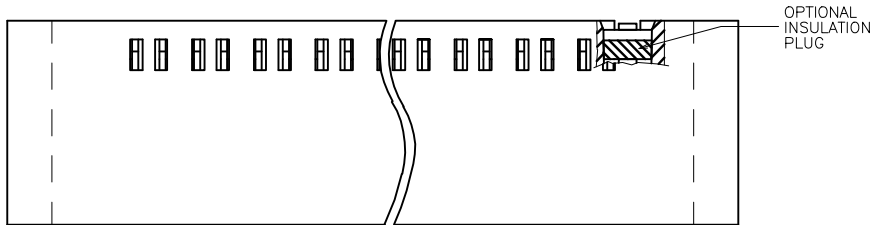
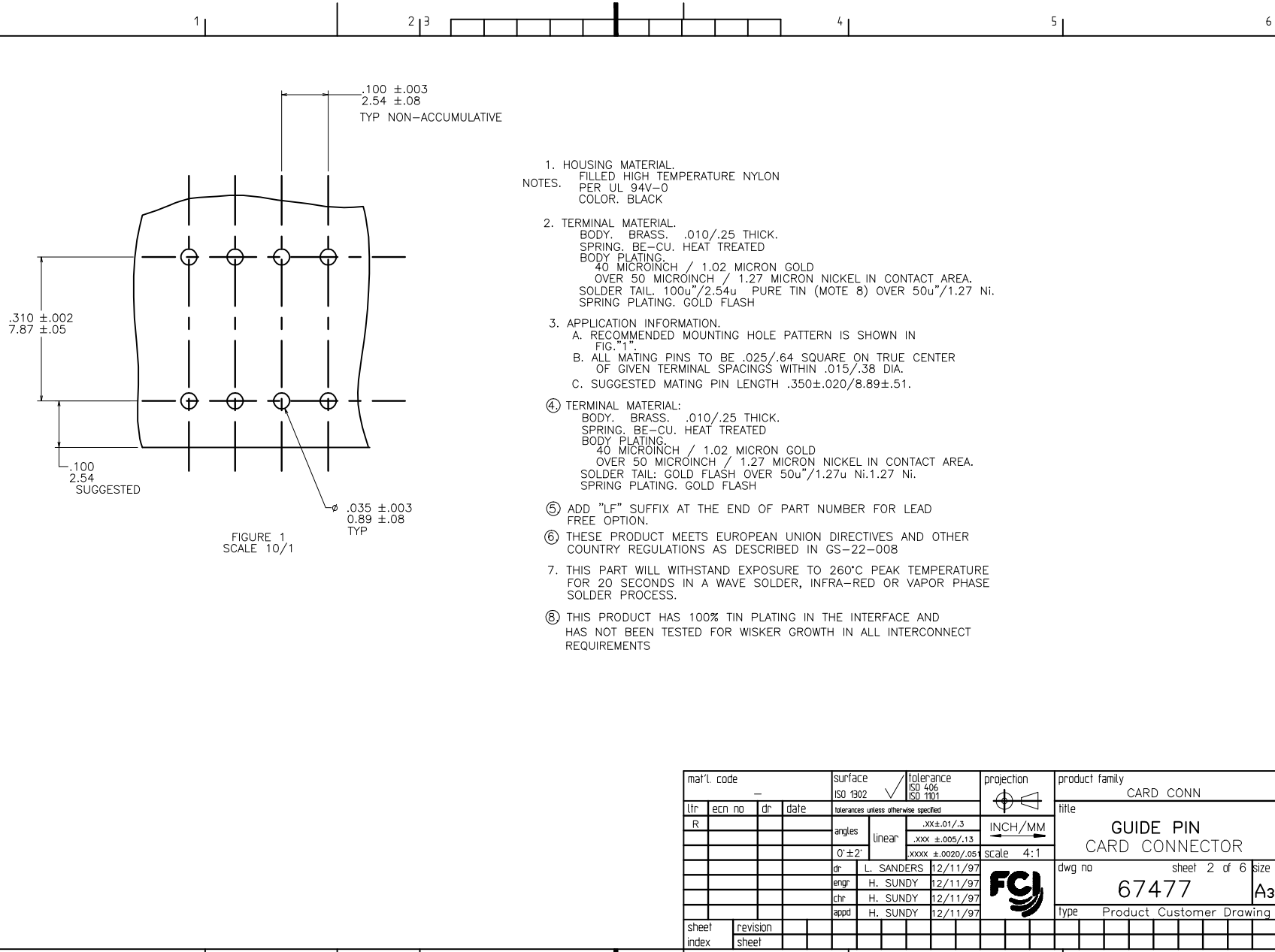


PRODUCT NO.
SEE TABLE



mat'l. code		surface		tolerance	projection	product family	
-		ISO 1302		ISO 406 ISO 1101		CARD CONN	
tolerances unless otherwise specified		linear		.XX ± .01/.3	INCH/MM		title
J	V61635	MDF	11/21/96	.XXX ± .005/.13	scale 4:1		GUIDE PIN CARD CONNECTOR
K	V70999	LSS	12/11/97	XXXX ± .0020/.05	sheet 1 of 6		size
L	V02386	AZ	10/05/00		A3		
M	M05-0181	MHT	8/22/05		dwg no		67477
N	M06-0117	AEA	6/26/06	eng: H. SUNDY	type		Product Customer Drawing
P	M07-0137	MHT	2/26/07	chr: H. SUNDY			
R	M09-0093	MHT	6/22/09	app: H. SUNDY			
sheet	revision	R	R	R	R	R	R
index	sheet	1	2	3	4	5	6



1. HOUSING MATERIAL.
 FILLED HIGH TEMPERATURE NYLON
 NOTES. PER UL 94V-0
 COLOR. BLACK
2. TERMINAL MATERIAL.
 BODY. BRASS. .010/.25 THICK.
 SPRING. BE-CU. HEAT TREATED
 BODY PLATING.
 40 MICROINCH / 1.02 MICRON GOLD
 OVER 50 MICROINCH / 1.27 MICRON NICKEL IN CONTACT AREA.
 SOLDER TAIL. 100u"/2.54u" PURE TIN (MOTE 8) OVER 50u"/1.27 Ni.
 SPRING PLATING. GOLD FLASH
3. APPLICATION INFORMATION.
 A. RECOMMENDED MOUNTING HOLE PATTERN IS SHOWN IN FIG. 1.
 B. ALL MATING PINS TO BE .025/.64 SQUARE ON TRUE CENTER OF GIVEN TERMINAL SPACINGS WITHIN .015/.38 DIA.
 C. SUGGESTED MATING PIN LENGTH .350±.020/8.89±.51.
- ④ TERMINAL MATERIAL:
 BODY. BRASS. .010/.25 THICK.
 SPRING. BE-CU. HEAT TREATED
 BODY PLATING.
 40 MICROINCH / 1.02 MICRON GOLD
 OVER 50 MICROINCH / 1.27 MICRON NICKEL IN CONTACT AREA.
 SOLDER TAIL: GOLD FLASH OVER 50u"/1.27u Ni.1.27 Ni.
 SPRING PLATING. GOLD FLASH
- ⑤ ADD "LF" SUFFIX AT THE END OF PART NUMBER FOR LEAD FREE OPTION.
- ⑥ THESE PRODUCT MEETS EUROPEAN UNION DIRECTIVES AND OTHER COUNTRY REGULATIONS AS DESCRIBED IN GS-22-008
7. THIS PART WILL WITHSTAND EXPOSURE TO 260°C PEAK TEMPERATURE FOR 20 SECONDS IN A WAVE SOLDER, INFRA-RED OR VAPOR PHASE SOLDER PROCESS.
- ⑧ THIS PRODUCT HAS 100% TIN PLATING IN THE INTERFACE AND HAS NOT BEEN TESTED FOR WISKER GROWTH IN ALL INTERCONNECT REQUIREMENTS



FCIconnect.com

Copyright FCI

mat'l. code		surface ISO 1502		tolerance ISO 406 ISO 1101		projection		product family CARD CONN	
lit	ecm no	dr	date	tolerances unless otherwise specified		INCH/MM		title GUIDE PIN CARD CONNECTOR	
R				angles	linear	.XX±.01/.3		scale 4:1	
				0'±2'		.XXX ±.005/.13		dwg no 67477 sheet 2 of 6 size A3	
						.XXXX ±.0020/.05		type Product Customer Drawing	
				dr	L. SANDERS	12/11/97	FCI		
				eng	H. SUNDY	12/11/97			
				chr	H. SUNDY	12/11/97			
				appd	H. SUNDY	12/11/97			
sheet	revision								
index	sheet								

PRODUCT NO.	NO. OF POS.	DIM. A	DIM. B	INSULATION PLUG	LEAD FREE OPTION
67477-001	2X1	.00/.0	.358/9.09	NO	NOTE 6,7
-002	2X2	.10/2.5	.458/11.63	NO	
-003	2X3	.20/5.0	.558/14.17	NO	
-004	2X4	.30/7.6	.658/16.71	NO	
-005	2X5	.40/10.1	.758/19.25		
-006	2X6	.50/12.7	.858/21.79		
-007	2X7	.60/15.2	.958/24.33		
-008	2X8	.70/17.7	1.058/26.87		
-009	2X9	.80/20.3	1.158/29.41		
-010	2X10	.90/22.8	1.258/31.95		
-011	2X11	1.00/25.4	1.358/34.49		
-012	2X12	1.10/27.9	1.458/37.03		
-013	2X13	1.20/30.4	1.558/39.57		
-014	2X14	1.30/33.0	1.658/42.11		
-015	2X15	1.40/35.5	1.758/44.65		
-016	2X16	1.50/38.1	1.858/47.19		
-017	2X17	1.60/40.6	1.958/49.73		
-018	2X18	1.70/43.1	2.058/52.27		
-019	2X19	1.80/45.7	2.158/54.81		
-020	2X20	1.90/48.2	2.258/57.35		
-021	2X21	2.00/50.8	2.358/59.89		
-022	2X22	2.10/53.3	2.458/62.43		
-023	2X23	2.20/55.8	2.558/64.97		
-024	2X24	2.30/58.4	2.658/67.51		
-025	2X25	2.40/60.9	2.758/70.05		
-026	2X26	2.50/63.5	2.858/72.59		
-027	2X27	2.60/66.0	2.958/75.13		
-028	2X28	2.70/68.5	3.058/77.67		
-029	2X29	2.80/71.1	3.158/80.21		
-030	2X30	2.90/73.6	3.258/82.75		
-031	2X31	3.00/76.2	3.358/85.29		
-032	2X32	3.10/78.7	3.458/87.83		
-033	2X33	3.20/81.2	3.558/90.37		
-034	2X34	3.30/83.8	3.658/92.91		
-035	2X35	3.40/86.3	3.758/95.45		
-036	2X36	3.50/88.9	3.858/97.99		
-037	2X37	3.60/91.4	3.958/100.53		
-038	2X38	3.70/93.9	4.058/103.07		
-039	2X39	3.80/96.5	4.158/105.61		
67477-040	2X40	3.90/99.0	4.258/108.15	NO	NOTE 6,7

UNASSIGNED
OBSOLETE
OBSOLETE
OBSOLETE



FCIconnect.com

Copyright FCI

mat'l. code	surface ISO 1302	tolerance ISO 406 ISO 1101	projection	product family CARD CONN
l/r	ecn no	dr	date	title
R				GUIDE PIN CARD CONNECTOR
	angles	linear	tolerances unless otherwise specified .xx±.01/.3 .xxx ±.005/.13 xxxx ±.0020/.05	INCH/MM
	0'±2'			scale 4:1
	dr	L. SANDERS	12/11/97	dwg no
	eng	H. SUNDY	12/11/97	sheet 3 of 6 size
	chr	H. SUNDY	12/11/97	67477 A3
	appd	H. SUNDY	12/11/97	type Product Customer Drawing
sheet	revision			
index	sheet			

form: A3

PRODUCT NO.	NO. OF POS.	DIM. A	DIM. B	INSULATION PLUG	LEAD FREE OPTION
67477-041	2X41	4.00/101.6	4.358/110.69	NO	NOTE 6,7
-042	2X42	4.10/104.1	4.458/113.23		
-043	2X43	4.20/106.6	4.558/115.77		
-044	2X44	4.30/109.2	4.658/118.31		
-045	2X45	4.40/111.7	4.758/120.85		
-046	2X46	4.50/114.3	4.858/123.39		
-047	2X47	4.60/116.8	4.958/125.93		
-048	2X48	4.70/119.3	5.058/128.47		
-049	2X49	4.80/121.9	5.158/131.01		
-050	2X50	4.90/124.4	5.258/133.55		
-051	2X51	5.00/127.0	5.358/136.09		
-052	2X52	5.10/129.5	5.458/138.63		
-053	2X53	5.20/132.0	5.558/141.17		
-054	2X54	5.30/134.6	5.658/143.71		
-055	2X55	5.40/137.1	5.758/146.25		
-056	2X56	5.50/139.7	5.858/148.79		
-057	2X57	5.60/142.2	5.958/151.33		
-058	2X58	5.70/144.7	6.058/153.87		
-059	2X59	5.80/147.3	6.158/156.41		
-060	2X60	5.90/149.8	6.258/158.95		
-061	2X61	6.00/152.4	6.358/161.49		
-062	2X62	6.10/154.9	6.458/164.03		
-063	2X63	6.20/157.4	6.558/166.57		
-064	2X64	6.30/160.0	6.658/169.11		
67477-065	2X65	6.40/162.5	6.758/171.65	NO	
-066 THRU					
-100					

NOTE 6,7 OBSOLETE



Copyright FCJ

mat'l. code		surface		tolerance		projection		product family	
-		ISO 1302		ISO 406		1st angle		CARD CONN	
itr		ecn no		dr		date		title	
R								GUIDE PIN	
								CARD CONNECTOR	
								dwg no	
								67477	
								sheet 4 of 6	
								size	
								A3	
								type	
								Product Customer Drawing	
sheet		revision							
index		sheet							

form: A3 1 2 3 4 5 6

PRODUCT NO.	NO. OF POS.	DIM. A	DIM. B	INSULATION PLUG	LEAD FREE OPTION
67477-501	2X1	.00/.0	.358/9.09	YES	NOTE 6,7
-502	2X2	.10/2.5	.458/11.63	YES	
-503	2X3	.20/5.0	.558/14.17	YES	
-504	2X4	.30/7.6	.658/16.71	YES	
-505	2X5	.40/10.1	.758/19.25		
-506	2X6	.50/12.7	.858/21.79		
-507	2X7	.60/15.2	.958/24.33		
-508	2X8	.70/17.7	1.058/26.87		
-509	2X9	.80/20.3	1.158/29.41		
-510	2X10	.90/22.8	1.258/31.95		
-511	2X11	1.00/25.4	1.358/34.49		
-512	2X12	1.10/27.9	1.458/37.03		
-513	2X13	1.20/30.4	1.558/39.57		
-514	2X14	1.30/33.0	1.658/42.11		
-515	2X15	1.40/35.5	1.758/44.65		
-516	2X16	1.50/38.1	1.858/47.19		
-517	2X17	1.60/40.6	1.958/49.73		
-518	2X18	1.70/43.1	2.058/52.27		
-519	2X19	1.80/45.7	2.158/54.81		
-520	2X20	1.90/48.2	2.258/57.35		
-521	2X21	2.00/50.8	2.358/59.89		
-522	2X22	2.10/53.3	2.458/62.43		
-523	2X23	2.20/55.8	2.558/64.97		
-524	2X24	2.30/58.4	2.658/67.51		
-525	2X25	2.40/60.9	2.758/70.05		
-526	2X26	2.50/63.5	2.858/72.59		
-527	2X27	2.60/66.0	2.958/75.13		
-528	2X28	2.70/68.5	3.058/77.67		
-529	2X29	2.80/71.1	3.158/80.21		
-530	2X30	2.90/73.6	3.258/82.75		
-531	2X31	3.00/76.2	3.358/85.29		
-532	2X32	3.10/78.7	3.458/87.83		
-533	2X33	3.20/81.2	3.558/90.37		
-534	2X34	3.30/83.8	3.658/92.91		
-535	2X35	3.40/86.3	3.758/95.45		
-536	2X36	3.50/88.9	3.858/97.99		
-537	2X37	3.60/91.4	3.958/100.53		
-538	2X38	3.70/93.9	4.058/103.07		
-539	2X39	3.80/96.5	4.158/105.61		
67477-540	2X40	3.90/99.0	4.258/108.15	YES	NOTE 6,7

UNASSIGNED
OBSOLETE
OBSOLETE
OBSOLETE



Copyright FCJ

mat'l. code	surface	tolerance	projection	product family
-	ISO 1302	ISO 406 ISO 1101		CARD CONN
ltr	ecn no	dr	date	title
R				GUIDE PIN CARD CONNECTOR
	angles	linear		INCH/MM
		.XX±.01/.3		scale 4:1
	0'±2'	.xxx ±.005/.13		dwg no 67477
		.xxx ±.0020/.05		sheet 5 of 6 size A3
dr	L. SANDERS	12/11/97		type Product Customer Drawing
engr	H. SUNDY	12/11/97		
chr	H. SUNDY	12/11/97		
appd	H. SUNDY	12/11/97		
sheet index	revision sheet			

PRODUCT NO.	NO. OF POS.	DIM. A	DIM. B	INSULATION PLUG	LEAD FREE OPTION
67477-541	2X41	4.00/101.6	4.358/110.69	YES	NOTE 6,7
-542	2X42	4.10/104.1	4.458/113.23		
-543	2X43	4.20/106.6	4.558/115.77		
-544	2X44	4.30/109.2	4.658/118.31		
-545	2X45	4.40/111.7	4.758/120.85		
-546	2X46	4.50/114.3	4.858/123.39		
-547	2X47	4.60/116.8	4.958/125.93		
-548	2X48	4.70/119.3	5.058/128.47		
-549	2X49	4.80/121.9	5.158/131.01		
-550	2X50	4.90/124.4	5.258/133.55		
-551	2X51	5.00/127.0	5.358/136.09		
-552	2X52	5.10/129.5	5.458/138.63		
-553	2X53	5.20/132.0	5.558/141.17		
-554	2X54	5.30/134.6	5.658/143.71		
-555	2X55	5.40/137.1	5.758/146.25		
-556	2X56	5.50/139.7	5.858/148.79		
-557	2X57	5.60/142.2	5.958/151.33		
-558	2X58	5.70/144.7	6.058/153.87		
-559	2X59	5.80/147.3	6.158/156.41		
-560	2X60	5.90/149.8	6.258/158.95		
-561	2X61	6.00/152.4	6.358/161.49		
-562	2X62	6.10/154.9	6.458/164.03		
-563	2X63	6.20/157.4	6.558/166.57		
-564	2X64	6.30/160.0	6.658/169.11		
67477-565	2X65	6.40/162.5	6.758/171.65	YES	
-566 THRU -600					

OBSOLETE

NOTE 6,7



FCconnect.com

Copyright FCJ

mat'l. code		surface ISO 1302		tolerance ISO 406 ISO 1101		projection		product family CARD CONN	
l/r	ecm no	dr	date	tolerances unless otherwise specified				title	
R				angles	linear	INCH/MM		GUIDE PIN CARD CONNECTOR	
				0 ± 2'		scale 4:1		dwg no 67477 sheet 6 of 6 size A3	
				dr	L. SANDERS	12/11/97		type Product Customer Drawing	
				eng	H. SUNDY	12/11/97			
				chr	H. SUNDY	12/11/97			
				appd	H. SUNDY	12/11/97			
sheet index	revision sheet								