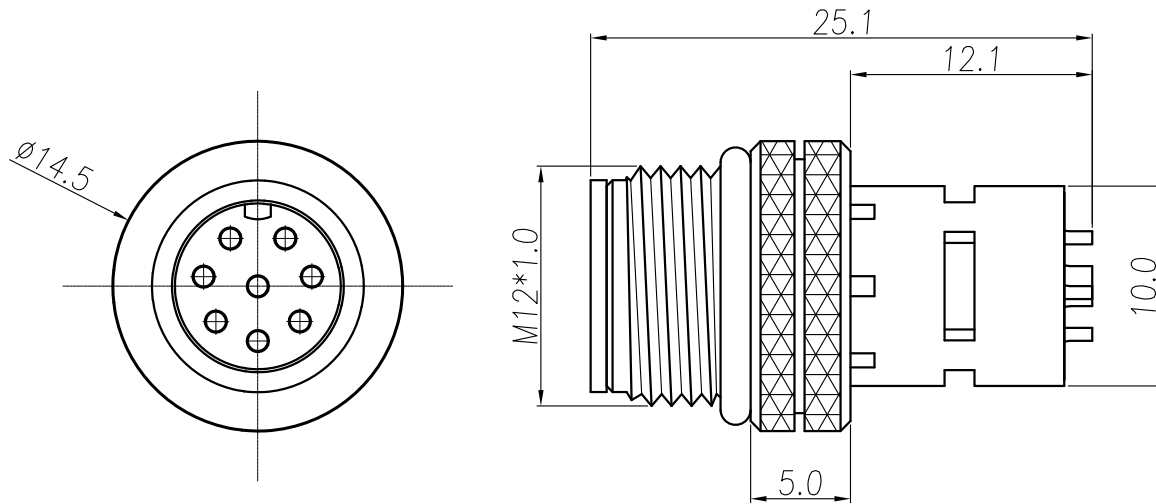


DESCRIPTION: M12 MALE - CABLE MOUNT SOLDER CUP - 8 POS.

NOTE:

MATERIAL
 HOUSING: PBT UL94V-0, BLACK
 CONTACT: BRASS
 SHELL: BRASS
 NUT: BRASS
 O-RING: EPDM, BLACK
 FINISH
 CONTACT: GOLD PLATED
 OVER 50µ" NICKEL
 SHELL: BRIGHT TIN
 NUT: NICKEL PLATED
 ELECTRICAL
 RATED CURRENT: 2A
 RATED VOLTAGE: 30V
 INSULATION RESISTANCE: 100 MΩhms MIN.
 CONTACT RESISTANCE: 10 mΩhms MAX.
 WATER PROOF: IP67
 ENVIRONMENT
 OPERATION TEMPERATURE: -40°C TO +85°C
 MAX WIRE AWG: 24



858-008-103RSSY

3 = BRASS/TIN (B/T) SHELL & BRASS/NICKEL NUT
 S = STAINLESS STEEL (SS) SHELL & NUT
 T = B/T SHELL / SS NUT

1 = GOLD FLASH
 4 = 10µ" GOLD

RoHS COMPLIANT

UNITS = mm

DO NOT SCALE FROM DRAWING



THESE DRAWINGS AND SPECIFICATIONS ARE THE PROPERTY OF NorComp AND SHALL NOT BE REPRODUCED, COPIED OR USED AS THE BASIS FOR THE MANUFACTURE OR SALE OF APPARATUS WITHOUT WRITTEN PERMISSION.

DRAWN:

J. KADEL

DATE:

03/27/2019

NorComp

SCALE:
NTS

SHEET OF
1 1

REV
1

DWG NO.

858-008-103RSSY