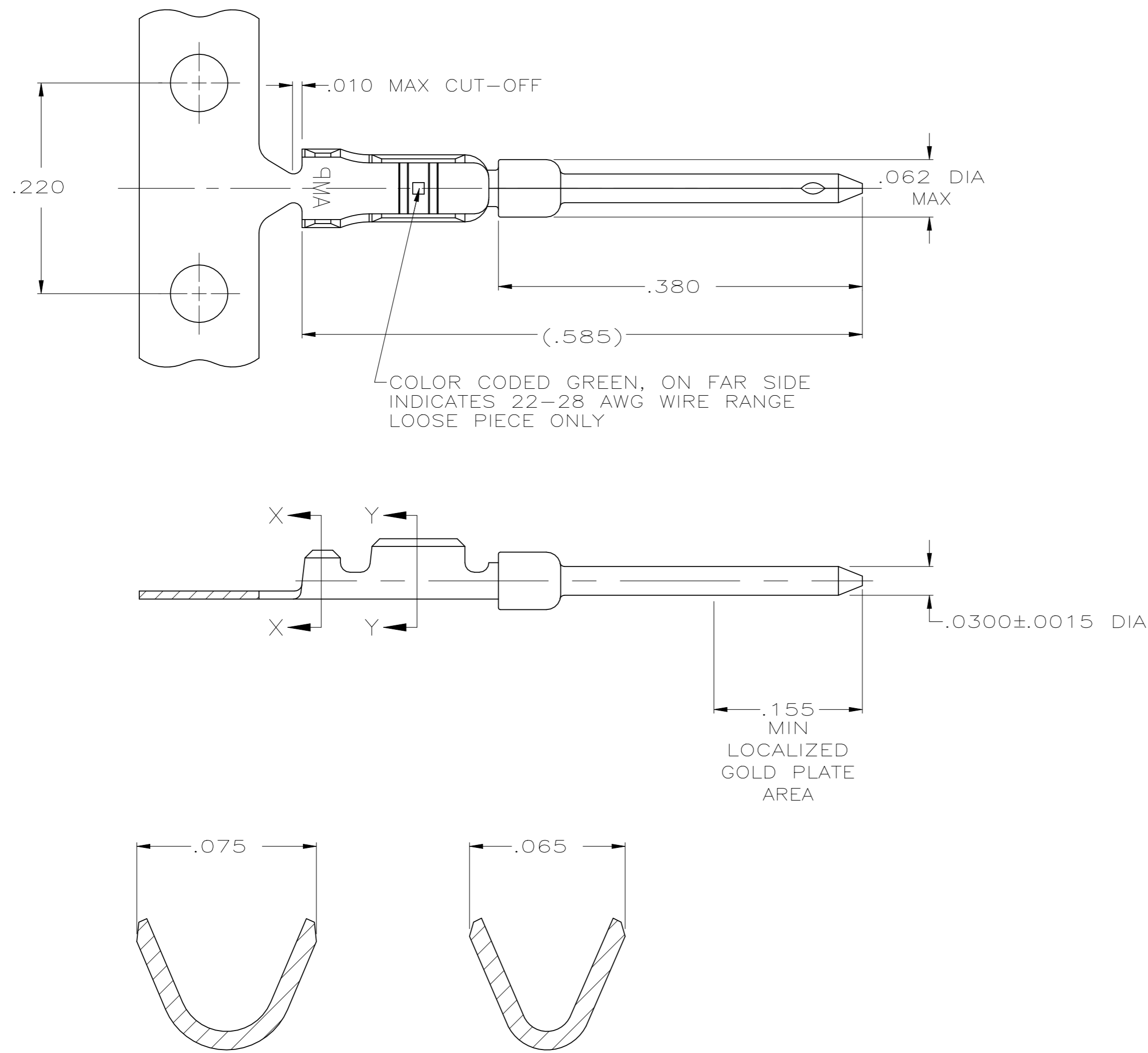


REVISIONS				
P	LTR	DESCRIPTION	DATE	APVD
C3		REVISED AS PER ECN-22-147541	06APR2022	PT SZ



- 1 FOR MINI APPLICATOR.
- 2 FOR HAND TOOL USE ONLY.
- 3. WIRE RANGE OF 22-28, INSULATION RANGE OF .030-.040.
- 4 .000050 MIN NICKEL UNDERPLATE ON ENTIRE CONTACT. .000100 MIN TIN ON WIRE AND INSULATION BARRELS, .000030 MIN GOLD ON LOCALIZED GOLD PLATE AREA.
OR
.000050 MIN NICKEL UNDERPLATE ON ENTIRE CONTACT. .000100 MIN TIN ON WIRE AND INSULATION BARRELS, GOLD FLASH OVER PALLADIUM-NICKEL, .000030 MIN TOTAL IN LOCALIZED GOLD PLATE AREA.
- 5 GOLD FLASH IN LOCALIZED GOLD PLATE AREA, .000100 MIN TIN IN WIRE & INSULATION BARRELS, BOTH OVER .000050 MIN NICKEL UNDERPLATE.
- 6 SMALL PACK PACKAGING.
- 7 .000050 MIN NICKEL UNDERPLATE & .000100-.000200 MATT TIN OVER ENTIRE CONTACT.

FINISH	USE	TYPE	PART NUMBER
7	1	STRIP	1658670-9
4	2	LOOSE PIECE	6 1658670-5
5	2	LOOSE PIECE	1658670-4
5	1	STRIP	1658670-3
4	2	LOOSE PIECE	1658670-2
4	1	STRIP	1658670-1

THIS DRAWING IS A CONTROLLED DOCUMENT.

DIMENSIONS: INCHES	TOLERANCES UNLESS OTHERWISE SPECIFIED: 0 PLC ± - 1 PLC ± - 2 PLC ± - 3 PLC ± .005 4 PLC ± - ANGLES ± 2°	DWN L. VARELA - DOCK5 11-17-04 CHK J. GERACE 11-17-04 APVD M. WALMSLEY 11-17-04 PRODUCT SPEC 108-1268 APPLICATION SPEC 114-10001 WEIGHT 0.000000	NAME PIN CONTACT, 22-28 AWG, 22 DF, AMPLIMITE
MATERIAL BRASS	FINISH SEE TABLE	SIZE A2 CAGE CODE 00779 DRAWING NO C=1658670 SCALE 10:1	RESTRICTED TO SHEET 1 OF 1 REV C3

TE Connectivity