



24-Bit, 96-/192-kHz, Asynchronous, 4-Channel/4-Channel Audio Codec with 2- V_{RMS} Driver, Headphone Driver, and 6 Audio Interface Ports

Check for Samples: [PCM5310](#)

FEATURES

- 2- or 2.4- V_{RMS} Output (Typ), 2- V_{RMS} Input (Typ)
- Asynchronous Operation for 2 Stereo DACs and 2 Stereo ADCs
- 6 Audio Interface Ports with Mux and Bypass
- Performance:
 - THD+N ($f_S = 48$ kHz): 0.01% (ADC), 0.01% (DAC)
 - SNR/DR ($f_S = 48$ kHz): 95 dB (ADC), 100 dB (DAC)
 - Line Input (Stereo x6): Available for 2- V_{RMS} Input
 - Line Output (Stereo x2): Available for 2- V_{RMS} or 2.4- V_{RMS} Output
 - Headphone Output: > 20 mW into 32 Ω , > 30 mW into 16 Ω
 - Sampling Rate: 96 kHz (ADC), 192 kHz (DAC)
 - System Clock: 128 f_S , 192 f_S , 256 f_S , 384 f_S , 512 f_S , 768 f_S
 - Digital Filter Passband Ripple: ± 0.05 dB (ADC), ± 0.04 dB (DAC)
 - Digital Filter Stop Band Attenuation: –65 dB (ADC), –50 dB (DAC)
- I²C™ Interface
- Multifunctions:
 - Audio Interface: I²S™, Left-Justified, and Right-Justified
 - Digital Attenuation: 0 dB to –100 dB in 0.5-dB Steps (DAC), 20 dB to –100 dB in 0.5-dB Steps (ADC)
 - Digital Soft Mute: 1.0-dB Steps to Mute
 - Digital De-Emphasis Filter: 32, 44.1, 48 kHz
 - Digital Audio Interface Mux and Bypass
 - Line Input Level Control: 9, 6, 3, 0 dB
 - Line Output Level Control: 0, –0.5, –1.0 dB
 - Headphone Output Volume Control: 12 dB to –70 dB in 1-dB Steps
 - Oversampling Rate Control for DAC

- Power-Supply Voltage:
 - 9 V for 2- V_{RMS} Driver
 - 3.3 V for Digital and Analog
- Power Consumption:
 - 360 mW at $f_S = 48$ -kHz Operation
 - 25.5 μ W in Power-Down Mode
- Pop Noise Reduction at Clock Halt
- Short-Circuit Protection for Headphone Output
- Flexible GPIO Port:
 - Internal Mute Flag
 - Internal Zero Flag
 - Headphone Insertion Detection Status
 - Headphone Short-Circuit Protection Status
 - Logic Functions (AND, NAND, OR, NOR, BUF, INV)
- Package: 64-Pin HTQFP PowerPAD™
- Operating Temperature Range: –25°C to +85°C

APPLICATIONS

- Digital TV
- DVD Recorder
- IP-STB (Set Top Box)

DESCRIPTION

The PCM5310 is a four-channel/four-channel audio codec with a 2- V_{RMS} driver, headphone amplifier, analog multiplexer (mux), and six audio interface ports for digital TV applications.

The PCM5310 accepts left-justified, right-justified, and I²S audio data formats with 16 or 24 bits. The PCM5310 also incorporates many functions through the I²C interface, such as an analog bypass mode, analog volume control, analog level control, analog multiplexer, GPIO, zero flag, short protection, de-emphasis filter, high-pass filter, and digital attenuator. The six audio interface ports each have a built-in digital mux and bypass functions to reduce the need for additional DSP ports or other devices.



Please be aware that an important notice concerning availability, standard warranty, and use in critical applications of Texas Instruments semiconductor products and disclaimers thereto appears at the end of this data sheet.

PowerPAD is a trademark of Texas Instruments.

I²C, I²S are trademarks of NXP Semiconductors.

All other trademarks are the property of their respective owners.



This integrated circuit can be damaged by ESD. Texas Instruments recommends that all integrated circuits be handled with appropriate precautions. Failure to observe proper handling and installation procedures can cause damage.

ESD damage can range from subtle performance degradation to complete device failure. Precision integrated circuits may be more susceptible to damage because very small parametric changes could cause the device not to meet its published specifications.

PACKAGING/ORDERING INFORMATION

For the most current package and ordering information, see the Package Option Addendum at the end of this document, or see the TI website at www.ti.com.

ABSOLUTE MAXIMUM RATINGS⁽¹⁾

Over operating free-air temperature range (unless otherwise noted).

		PCM5310	UNIT
Supply voltage	$V_{CCDA}, V_{CCAD}, V_{CCP}, V_{DD}$	–0.3 to 4.0	V
	V_{CCH}	–0.3 to 10	V
Ground voltage differences: AGNDAD, AGNDAA, PGND, HGND, DGND		±0.1	V
Input voltage		–0.3 to 4.0	V
Input current (all pins except supplies)		±10	mA
Ambient temperature under bias		–40 to +125	°C
Storage temperature		–55 to +150	°C
Junction temperature		+150	°C
Lead temperature (soldering, 5s)		+260	°C
Package temperature (IR reflow, peak)		+260	°C

(1) Stresses beyond those listed under *Absolute Maximum Ratings* may cause permanent damage to the device. These are stress ratings only, and functional operation of the device at these or any other conditions beyond those indicated under *Recommended Operating Conditions* is not implied. Exposure to absolute-maximum-rated conditions for extended periods may affect device reliability.

RECOMMENDED OPERATING CONDITIONS

Over operating free-air temperature range (unless otherwise noted).

PARAMETER	MIN	NOM	MAX	UNIT
Analog supply voltage, $V_{CCAD}, V_{CCDA}, V_{CCP}$	3.0	3.3	3.6	V
Analog supply voltage, V_{CCH}	8.55	9	9.45	V
Digital supply voltage, V_{DD}	3.0	3.3	3.6	V
Analog input voltage, full-scale (–0 dB)		2		V_{RMS}
Analog output voltage, full-scale (–0 dB)		2	2.4	V_{RMS}
Digital input logic family	CMOS			
Digital input clock frequency	ADC system clock	4.096	36.864	MHz
	ADC sampling clock	32	96	kHz
	DAC system clock	4.096	36.864	MHz
	DAC sampling clock	32	192	kHz
Analog output load resistance	10			k Ω
Analog output load capacitance		30		pF
Digital output load capacitance		10		pF
Operating free-air temperature, T_A	–25		+85	°C

ELECTRICAL CHARACTERISTICS

All specifications at $T_A = +25^\circ\text{C}$, $V_{DD} = V_{CCAD} = V_{CCDA} = V_{CCP} = 3.3\text{ V}$, $V_{CCH} = 9\text{ V}$, $f_S^{(1)} = 48\text{ kHz}$, system clock = $256 f_S$, and 24-bit data, unless otherwise noted.

PARAMETER	TEST CONDITIONS	PCM5310			UNIT
		MIN	TYP	MAX	
AUDIO DATA					
Data Format					
Audio data bit length		16, 24			Bits
Audio data interface format		I ² S, left-justified, right-justified			
Audio data format		MSB, twos complement			
Sampling frequency	ADC	108			kHz
	DAC	216			kHz
System clock	ADC	256 f_S , 384 f_S , 512 f_S , 768 f_S			MHz
	DAC	128 f_S , 192 f_S , 256 f_S , 384 f_S , 512 f_S , 768 f_S			MHz
Bit clock	ADC	48 f_S , 64 f_S			MHz
	DAC	32 f_S , 48 f_S , 64 f_S			MHz
DIGITAL INPUT/OUTPUT					
Logic family		CMOS-compatible			
V_{IH}	Input logic high level	0.7 V_{DD}			V
V_{IL}	Input logic low level	0.3 V_{DD}			V
I_{IH}	Input logic high current	10			μA
I_{IL}	Input logic low current	-10			μA
V_{OH}	Output logic high level	$I_{OH} = 2\text{ mA}$	0.75 V_{DD}		V
V_{OL}	Output logic low level	$I_{OH} = -2\text{ mA}$	0.25 V_{DD}		V
DAC LINE OUTPUT					
Dynamic Performance					
Full-scale output voltage	Digital input = 0 dB, G242, G241 = low	2			V_{RMS}
	Digital input = 0 dB, G242, G241 = high	2.4			V_{RMS}
Dynamic range	EIAJ, A-weighted	90	100		dB
SNR	Signal-to-noise ratio	EIAJ, A-weighted	90	100	dB
Channel separation		88	97		dB
THD+N	Total harmonic distortion + noise	Digital input = 0 dB, G242, G241 = low	0.01	0.02	%
Load resistance	AC load	10			k Ω
DC Accuracy					
Gain error	Digital input = 0 dB, G242, G241 = low	± 3	± 13		% of FSR
Gain mismatch, channel-to-channel		± 3	± 13		% of FSR
Bipolar zero error	Zero data input	± 40	± 120		mV
Center voltage	Zero data input	0.5 V_{CCDA}			V
Analog Gain Control					
Gain range		0, -0.5, -1.0			dB
Gain error		± 0.5			dB

(1) f_S = sampling rate.

ELECTRICAL CHARACTERISTICS (continued)

All specifications at $T_A = +25^\circ\text{C}$, $V_{DD} = V_{CCAD} = V_{CCDA} = V_{CCP} = 3.3\text{ V}$, $V_{CCH} = 9\text{ V}$, $f_S^{(1)} = 48\text{ kHz}$, system clock = 256 f_S , and 24-bit data, unless otherwise noted.

PARAMETER	TEST CONDITIONS	PCM5310			UNIT	
		MIN	TYP	MAX		
DAC HEADPHONE OUTPUT						
Dynamic Performance						
	Full-scale output voltage	Digital input = 0 dB, VOL = 0dB	1		V_{RMS}	
	Dynamic range	EIAJ, A-weighted	85	96	dB	
SNR	Signal-to-noise ratio	EIAJ, A-weighted	85	96	dB	
	Channel separation	$R_L = 32\ \Omega$		88	dB	
THD+N	Total harmonic distortion + noise	$R_L = 32\ \Omega$, VOL = 0 dB		0.1	0.18	%
		$R_L = 16\ \Omega$, VOL = 0 dB		1	3	%
	Load resistance		16		Ω	
DC Accuracy						
	Gain error	Digital input = 0 dB, VOL = 0dB	± 3	± 13	% of FSR	
	Gain mismatch, channel-to-channel		± 3	± 13	% of FSR	
	Bipolar zero error	Zero data input	± 27	± 80	mV	
	Center voltage	Zero data input	$0.5 V_{CCDA}$		V	
Analog Volume						
	Gain range		-70	12	dB	
	Gain error			0.5	dB	
	Gain step			1.0	dB	
ADC LINE INPUT						
Dynamic Performance						
	Full-scale input voltage	Digital input = 0 dB, VOL = 0dB	2		V_{RMS}	
	Dynamic range	EIAJ, A-weighted	85	95	dB	
SNR	Signal-to-noise ratio	EIAJ, A-weighted	85	95	dB	
	Channel separation			93	dB	
THD+N	Total harmonic distortion + noise	Analog input = -1 dB, VOL = 0dB		0.01	0.018	%
DC Accuracy						
	Gain error	Analog input = 0 dB, VOL = 0dB	± 3	± 13	% of FSR	
	Gain mismatch, channel-to-channel		± 3	± 13	% of FSR	
	Bipolar zero error	Zero data input	± 17	± 50	mV	
	Center voltage	Zero data input	$0.5 V_{CCAD}$		V	
Analog Input						
	Input impedance		37.6	47	56.4	k Ω
Analog Gain Control						
	Gain range		9, 6, 3, 0		dB	
	Gain error		± 0.5		dB	

ELECTRICAL CHARACTERISTICS (continued)

All specifications at $T_A = +25^\circ\text{C}$, $V_{DD} = V_{CCAD} = V_{CCDA} = V_{CCP} = 3.3\text{ V}$, $V_{CCH} = 9\text{ V}$, $f_S^{(1)} = 48\text{ kHz}$, system clock = $256 f_S$, and 24-bit data, unless otherwise noted.

PARAMETER	TEST CONDITIONS	PCM5310			UNIT
		MIN	TYP	MAX	
ANALOG INPUT TO ANALOG OUTPUT PATH (BYPASS)					
Dynamic Performance					
Full-scale input voltage	Analog input = 0 dB, VOL = 0dB		2		V_{RMS}
Full-scale output voltage	Analog input = 0 dB, G242, G241 = low		2		V_{RMS}
Dynamic range	EIAJ, A-weighted	90	100		dB
SNR	Signal-to-noise ratio	90	100		dB
	Channel separation	88	97		dB
THD+N	Total harmonic distortion + noise		0.003	0.006	%
DC Accuracy					
Gain error	Analog input = 0 dB, G242, G241 = low		± 3	± 13	% of FSR
Gain mismatch, channel-to-channel			3	± 13	% of FSR
Bipolar zero error	Zero data input		± 20	± 60	mV
Center voltage	analog input	Zero data input	$0.5 V_{CCAD}$		V
	analog output	Zero data input	$0.5 V_{CCDA}$		V
Analog Input					
Input impedance		37.6	47	56.4	k Ω
FILTERS					
Interpolation Filters for DAC					
Passband			$0.454 f_S$		kHz
Stop band		$0.546 f_S$			kHz
Passband ripple			± 0.04		dB
Stop-band attenuation		-50			dB
Group delay			$20/f_S$		s
De-emphasis error			± 0.1		dB
Analog Filter for DAC					
Frequency response	$f_C = 20\text{ kHz}$		± 0.1		dB
Cutoff frequency	Gain = -3 dB		190		kHz
Decimation Filter for ADC					
Passband			$0.454 f_S$		kHz
Stop band		$0.583 f_S$			kHz
Passband ripple			± 0.05		dB
Stop-band attenuation		-65			dB
Group delay			$17.4/f_S$		s
Analog Filter for ADC					
Frequency response	$f_C = 20\text{ kHz}$		± 0.01		dB
Cutoff frequency	Gain = -3 dB		500		kHz
High-Pass Filter for ADC					
Frequency response	Gain = -3 dB		0.91		Hz

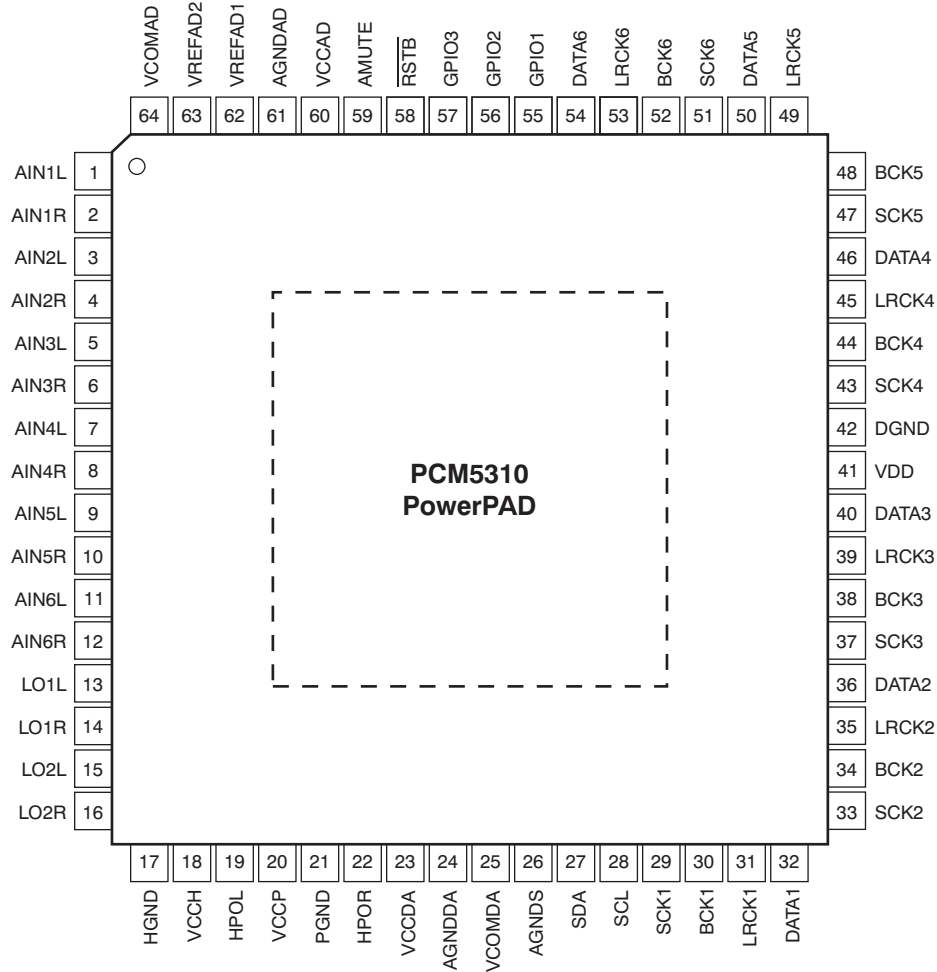
ELECTRICAL CHARACTERISTICS (continued)

All specifications at $T_A = +25^\circ\text{C}$, $V_{DD} = V_{CCAD} = V_{CCDA} = V_{CCP} = 3.3\text{ V}$, $V_{CCH} = 9\text{ V}$, $f_S^{(1)} = 48\text{ kHz}$, system clock = 256 f_S , and 24-bit data, unless otherwise noted.

PARAMETER	TEST CONDITIONS	PCM5310			UNIT
		MIN	TYP	MAX	
POWER-SUPPLY REQUIREMENTS					
V_{DD}	Digital voltage range	3	3.3	3.6	V
V_{CCAD}	DAC voltage range	3	3.3	3.6	V
V_{CCDA}	ADC voltage range	3	3.3	3.6	V
V_{CCP}	Headphone driver voltage range	3	3.3	3.6	V
V_{CCH}	2- V_{RMS} driver voltage range	8.55	9	9.45	V
Supply current	Zero data input, all active		98	120	mA
	All power-down		6	100	μA
Power dissipation	Zaro data input, all active		360	450	mW
	All power-down		25.5	350	μW
TEMPERATURE RANGE					
Operating temperature range			-25	+85	$^\circ\text{C}$
θ_{JA}	Thermal resistance	HTQFP-64	21		$^\circ\text{C}/\text{W}$

PIN ASSIGNMENTS

PAP PACKAGE HTQFP-64 (TOP VIEW)



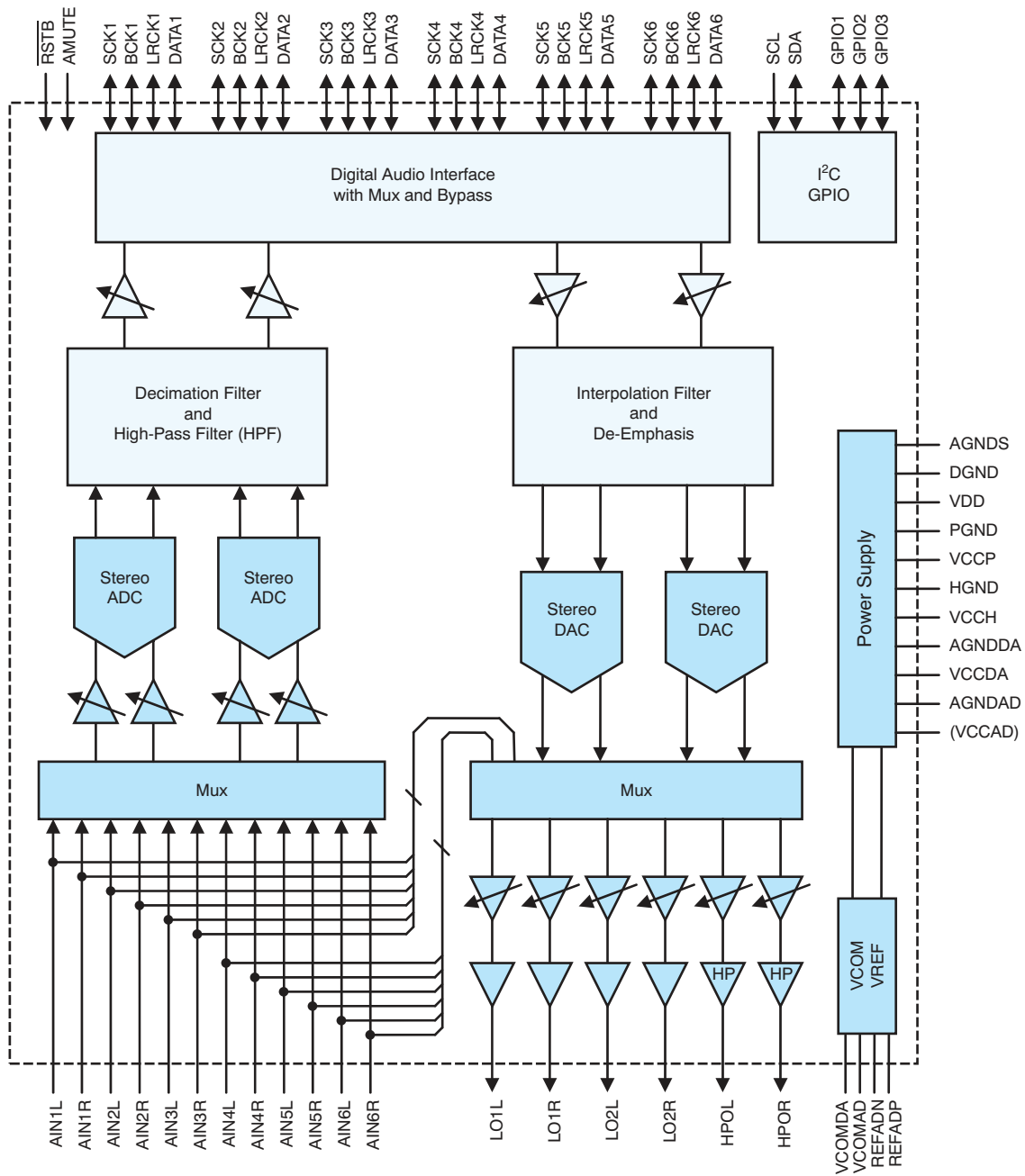
PIN DESCRIPTIONS

PIN		I/O	DESCRIPTION
NAME	NO.		
AIN1L	1	I	Line input 1 L-channel
AIN1R	2	I	Line input 1 R-channel
AIN2L	3	I	Line input 2 L-channel
AIN2R	4	I	Line input 2 R-channel
AIN3L	5	I	Line input 3 L-channel
AIN3R	6	I	Line input 3 R-channel
AIN4L	7	I	Line input 4 L-channel
AIN4R	8	I	Line input 4 R-channel
AIN5L	9	I	Line input 5 L-channel
AIN5R	10	I	Line input 5 R-channel
AIN6L	11	I	Line input 6 L-channel
AIN6R	12	I	Line input 6 R-channel
LO1L	13	O	Line output 1 L-channel
LO1R	14	O	Line output 1 R-channel

PIN DESCRIPTIONS (continued)

PIN		I/O	DESCRIPTION
NAME	NO.		
LO2L	15	O	Line output 2 L-channel
LO2R	16	O	Line output 2 R-channel
HPOL	19	O	Headphone output L-channel
HPOR	22	O	Headphone output R-channel
VCOMDA	25	—	Common voltage for DAC
VCOMAD	64	—	Common voltage for ADC
VREFAD1	62	—	Reference voltage 1 for ADC
VREFAD2	63	—	Reference voltage 2 for ADC
VCCAD	60	—	Power supply for ADC (3.3-V typical)
AGNDAD	61	—	Ground for ADC
VCCDA	23	—	Power supply for DAC (3.3-V typical)
AGNDDA	24	—	Ground for DAC
VCCP	20	—	Power supply for headphone (3.3-V typical)
PGND	21	—	Ground for headphone
VDD	41	—	Power supply for digital (3.3-V typical)
DGND	42	—	Digital ground
VCCH	18	—	Power supply for 2- V_{RMS} driver (9.0-V typical)
HGND	17	—	Ground for 2- V_{RMS} driver
AGNDS	26	—	Analog ground
SCK1	29	I/O	PORT-1 system clock
BCK1	30	I/O	PORT-1 serial bit clock
LRCK1	31	I/O	PORT-1 left and right channel clock
DATA1	32	I/O	PORT-1 serial audio data
SCK2	33	I/O	PORT-2 system clock
BCK2	34	I/O	PORT-2 serial bit clock
LRCK2	35	I/O	PORT-2 left and right channel clock
DATA2	36	I/O	PORT-2 serial audio data
SCK3	37	I/O	PORT-3 system clock
BCK3	38	I/O	PORT-3 serial bit clock
LRCK3	39	I/O	PORT-3 left and right channel clock
DATA3	40	I/O	PORT-3 serial audio data
SCK4	43	I/O	PORT-4 system clock
BCK4	44	I/O	PORT-4 serial bit clock
LRCK4	45	I/O	PORT-4 left and right channel clock
DATA4	46	I/O	PORT-4 serial audio data
SCK5	47	I/O	PORT-5 system clock
BCK5	48	I/O	PORT-5 serial bit clock
LRCK5	49	I/O	PORT-5 left and right channel clock
DATA5	50	I/O	PORT-5 serial audio data
SCK6	51	I/O	PORT-6 system clock
BCK6	52	I/O	PORT-6 serial bit clock
LRCK6	53	I/O	PORT-6 left and right channel clock
DATA6	54	I/O	PORT-6 serial audio data
SCL	28	I	Clock for I ² C interface
SDA	27	I/O	Data for I ² C interface
GPIO1	55	I/O	General-purpose input and output 1
GPIO2	56	I/O	General-purpose input and output 2
GPIO3	57	I/O	General-purpose input and output 3
\overline{RSTB}	58	I	Reset (active low)
AMUTE	59	I	Analog mute control for all analog outputs (active high)

FUNCTIONAL BLOCK DIAGRAM



TYPICAL CHARACTERISTICS: Digital Filter (DAC) Sharp, Slow

All specifications at $T_A = +25^\circ\text{C}$, $V_{DD} = V_{CCAD} = V_{CCDA} = V_{CCP} = 3.3\text{ V}$, $V_{CCH} = 9\text{ V}$, $f_S = 48\text{ kHz}$, system clock = $256 f_S$, and 24-bit data, unless otherwise noted.

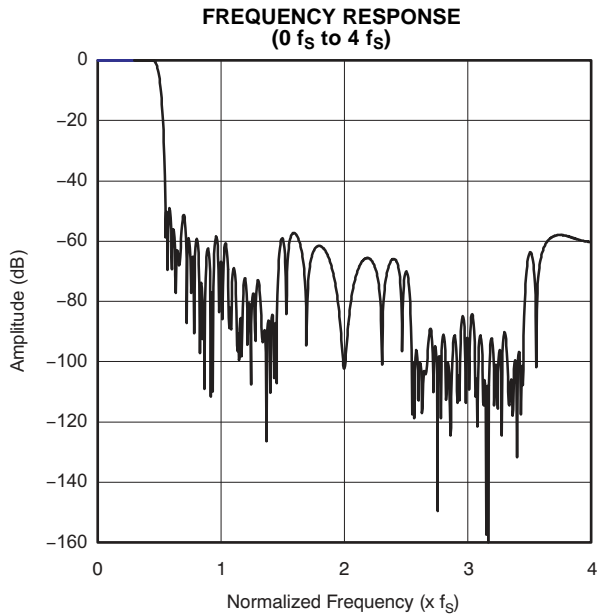


Figure 1.

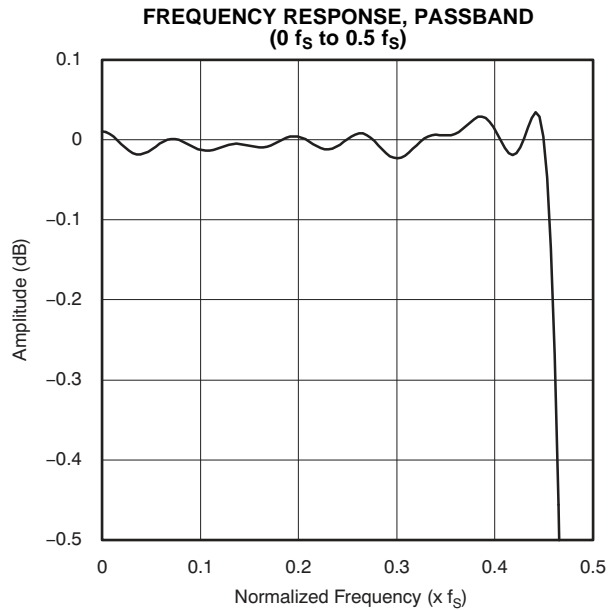


Figure 2.

TYPICAL CHARACTERISTICS: Analog Filter (DAC)

All specifications at $T_A = +25^\circ\text{C}$, $V_{DD} = V_{CCAD} = V_{CCDA} = V_{CCP} = 3.3\text{ V}$, $V_{CCH} = 9\text{ V}$, $f_S = 48\text{ kHz}$, system clock = $256 f_S$, and 24-bit data, unless otherwise noted.

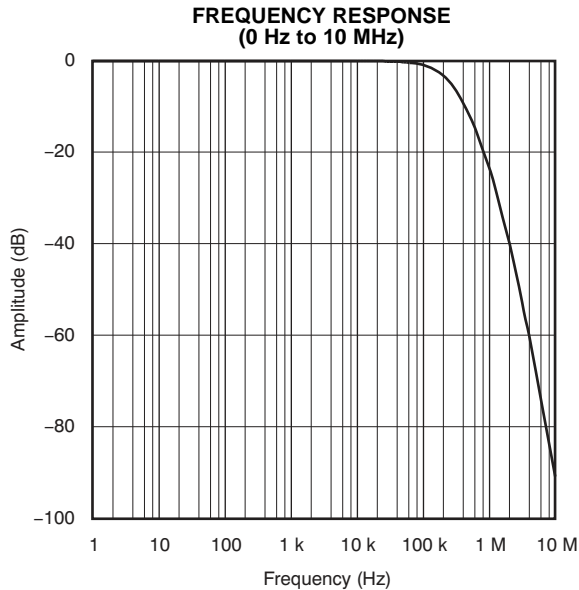


Figure 3.

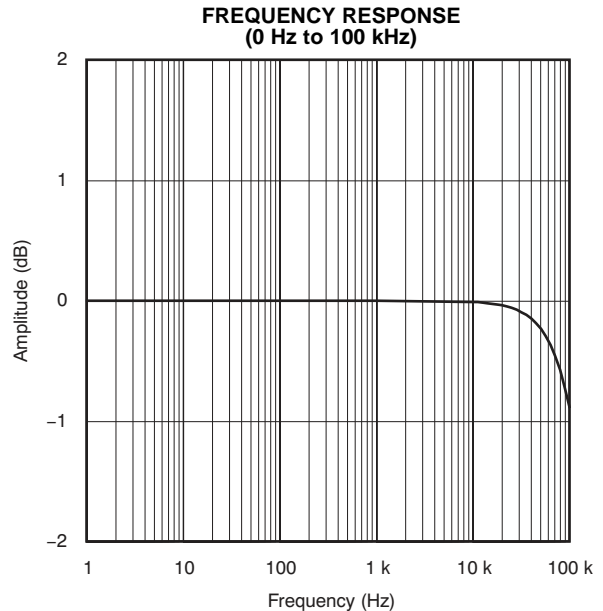


Figure 4.

TYPICAL CHARACTERISTICS: Digital Filter (ADC)

All specifications at $T_A = +25^\circ\text{C}$, $V_{DD} = V_{CCAD} = V_{CCDA} = V_{CCP} = 3.3\text{ V}$, $V_{CCH} = 9\text{ V}$, $f_s = 48\text{ kHz}$, system clock = $256 f_s$, and 24-bit data, unless otherwise noted.

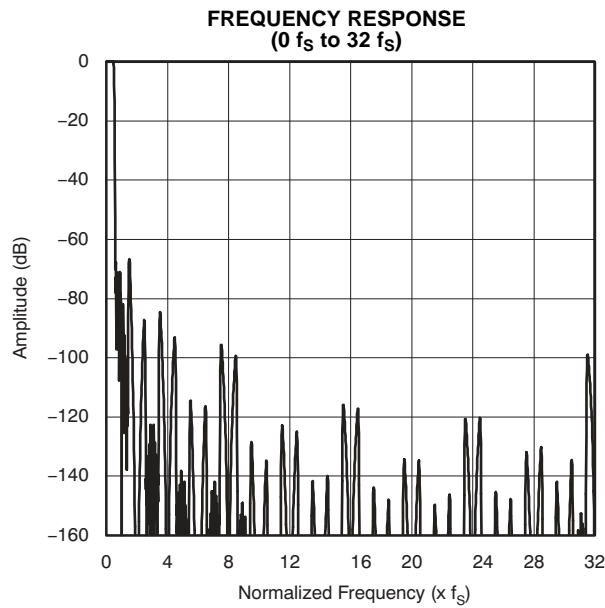


Figure 5.

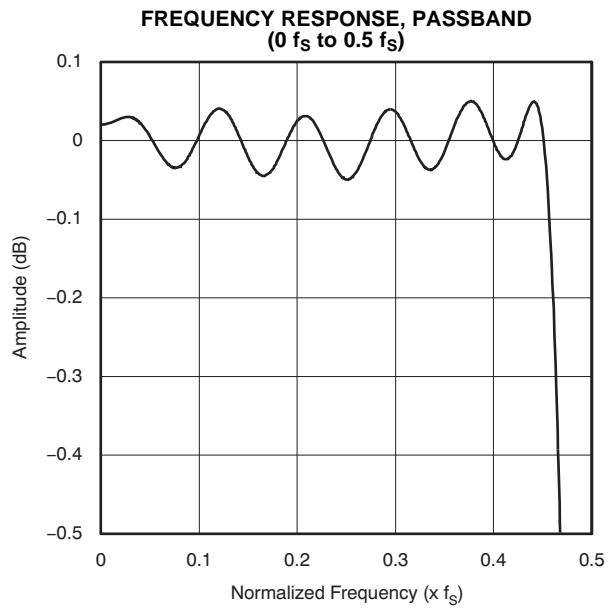


Figure 6.

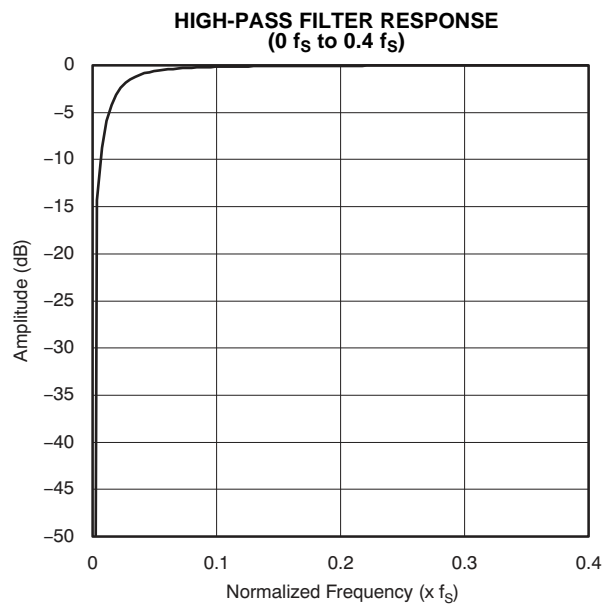


Figure 7.

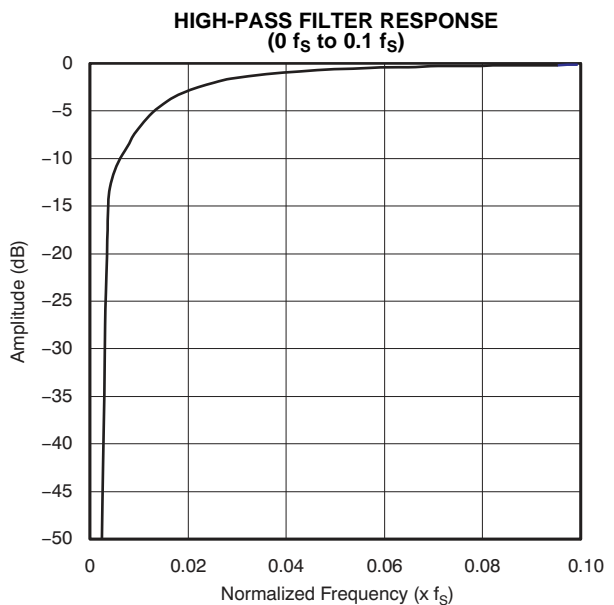


Figure 8.

TYPICAL CHARACTERISTICS: Analog Performance (DAC)

All specifications at $T_A = +25^\circ\text{C}$, $V_{DD} = V_{CCAD} = V_{CCDA} = V_{CCP} = 3.3\text{ V}$, $V_{CCH} = 9\text{ V}$, $f_s = 48\text{ kHz}$, system clock = $256 f_s$, and 24-bit data, unless otherwise noted.

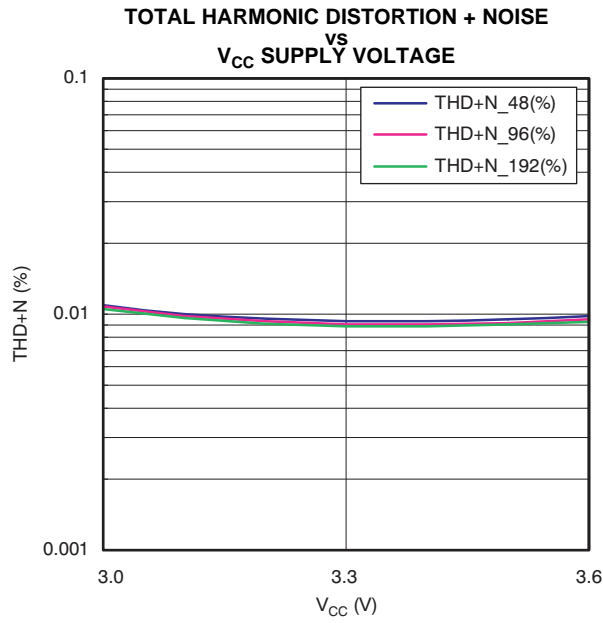


Figure 9.

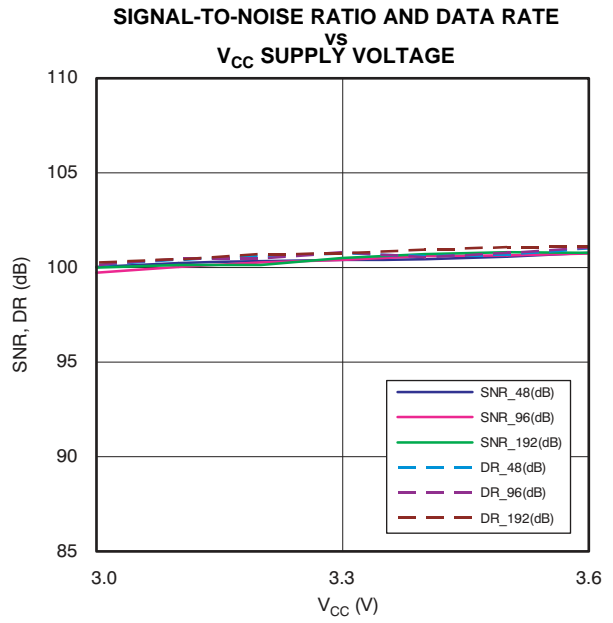


Figure 10.

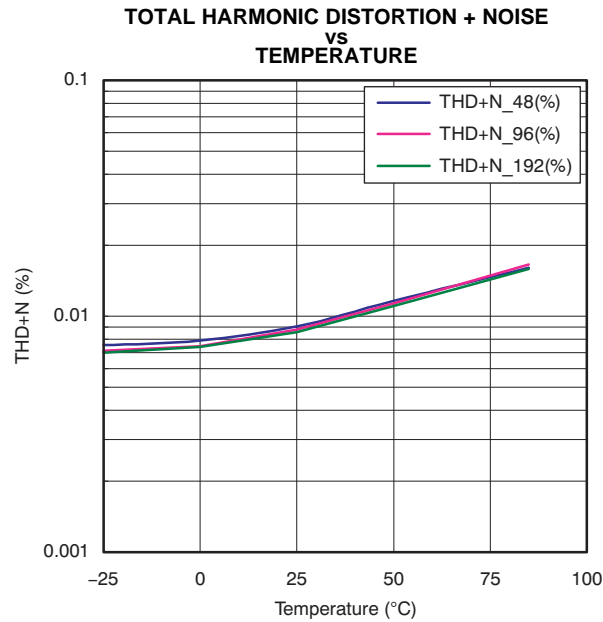


Figure 11.

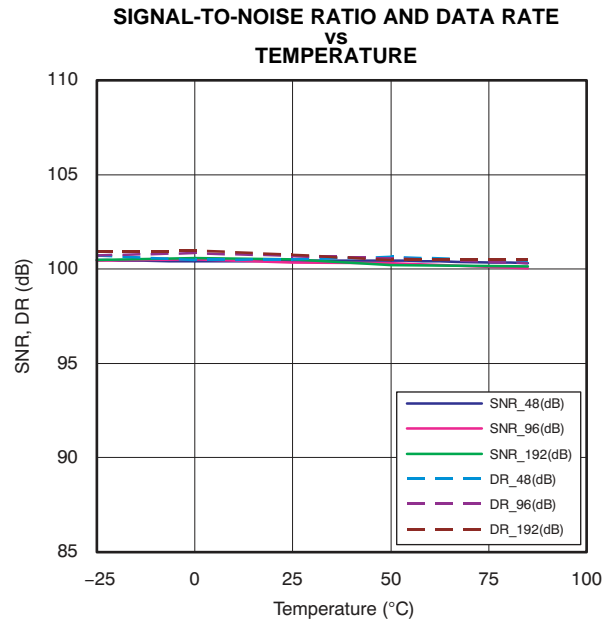


Figure 12.

TYPICAL CHARACTERISTICS: Analog Performance (ADC)

All specifications at $T_A = +25^\circ\text{C}$, $V_{DD} = V_{CCAD} = V_{CCDA} = V_{CCP} = 3.3\text{ V}$, $V_{CCH} = 9\text{ V}$, $f_S = 48\text{ kHz}$, system clock = $256 f_S$, and 24-bit data, unless otherwise noted.

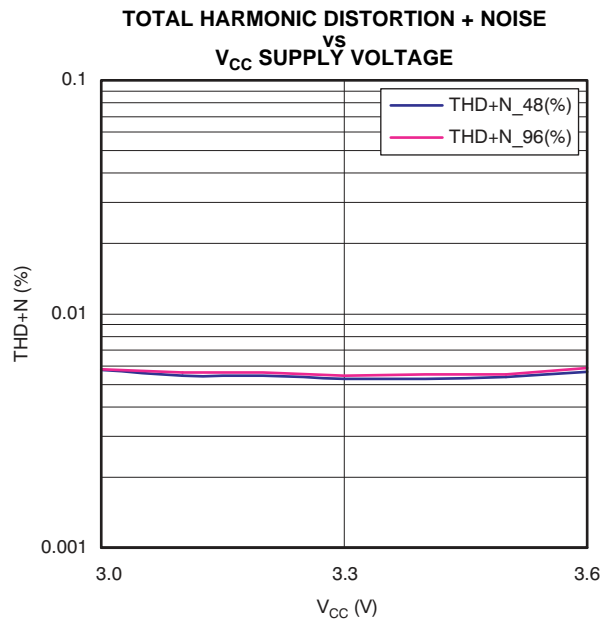


Figure 13.

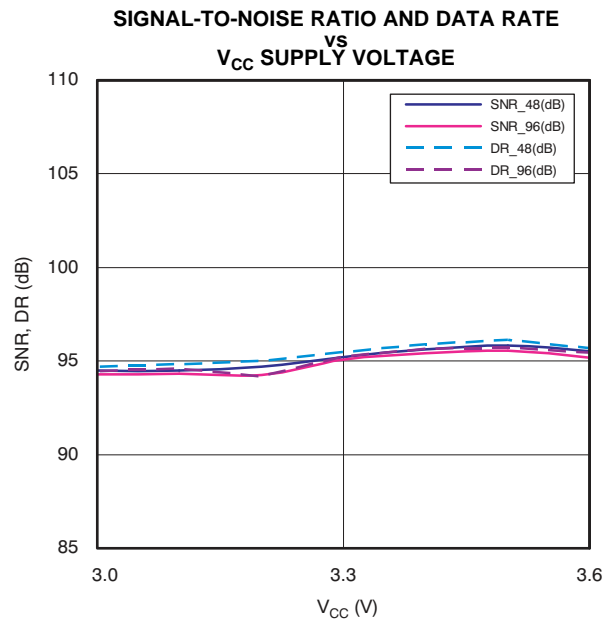


Figure 14.

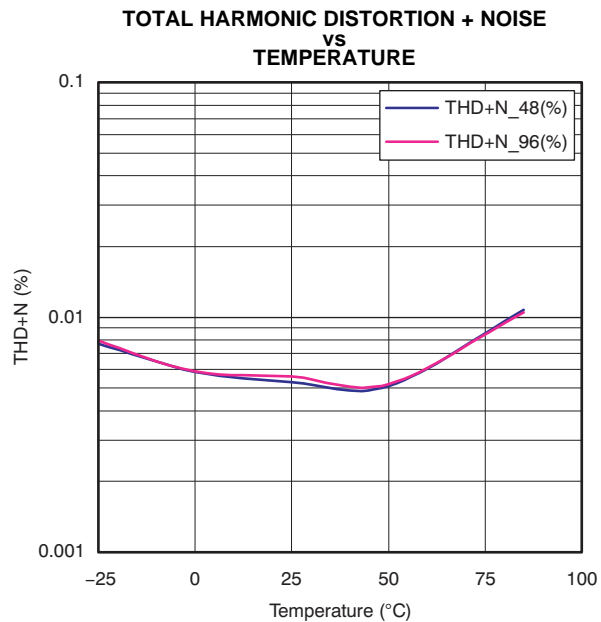


Figure 15.

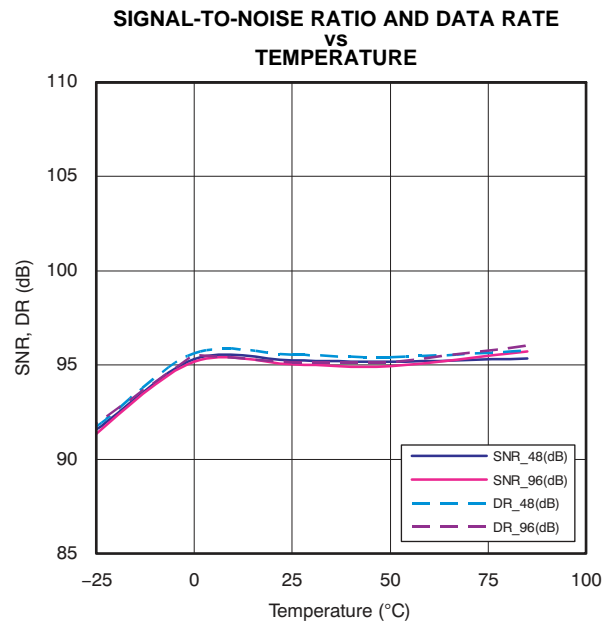


Figure 16.

TYPICAL CHARACTERISTICS: Analog Performance (Headphone)

All specifications at $T_A = +25^\circ\text{C}$, $V_{DD} = V_{CCAD} = V_{CCDA} = V_{CCP} = 3.3\text{ V}$, $V_{CCH} = 9\text{ V}$, $f_s = 48\text{ kHz}$, system clock = $256 f_s$, and 24-bit data, unless otherwise noted.

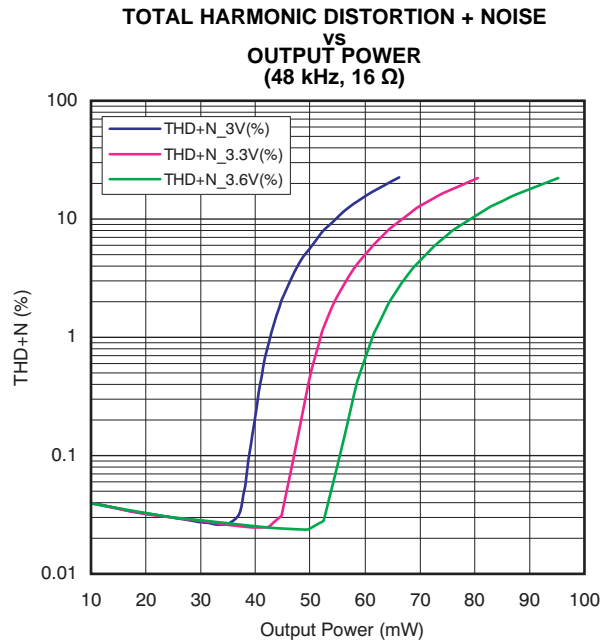


Figure 17.

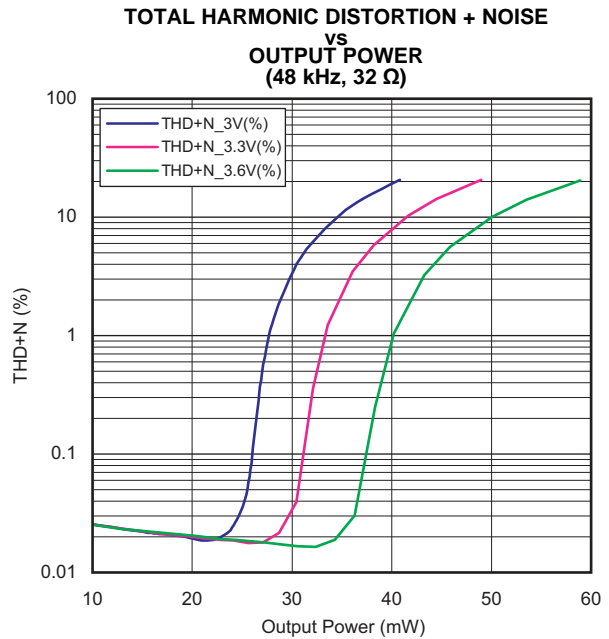


Figure 18.

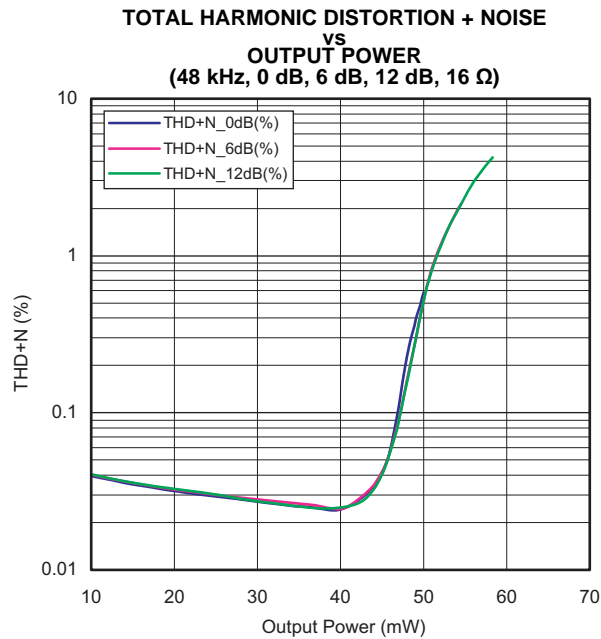


Figure 19.

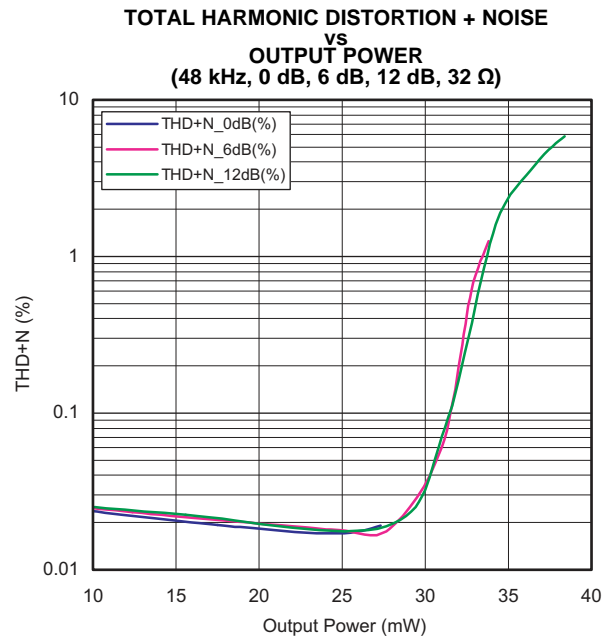


Figure 20.

TYPICAL CHARACTERISTICS: Output Spectrum (DAC)

All specifications at $T_A = +25^\circ\text{C}$, $V_{DD} = V_{CCAD} = V_{CCDA} = V_{CCP} = 3.3\text{ V}$, $V_{CCH} = 9\text{ V}$, $f_S = 48\text{ kHz}$, system clock = $256 f_S$, and 24-bit data, unless otherwise noted.

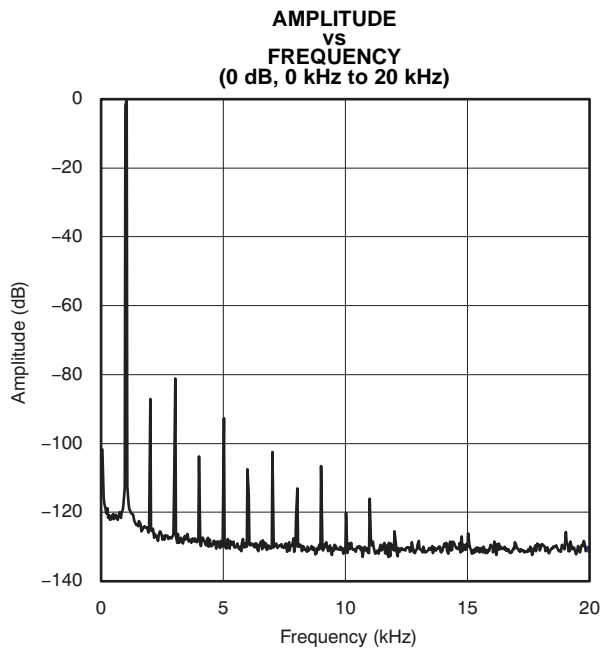


Figure 21.

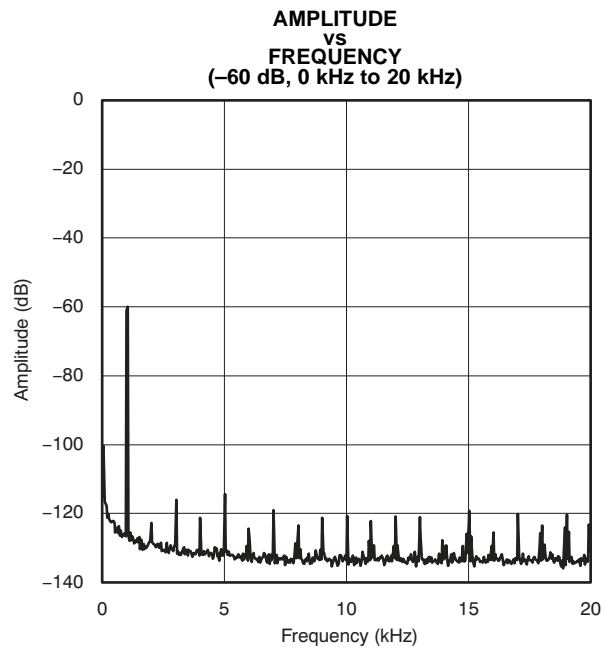


Figure 22.

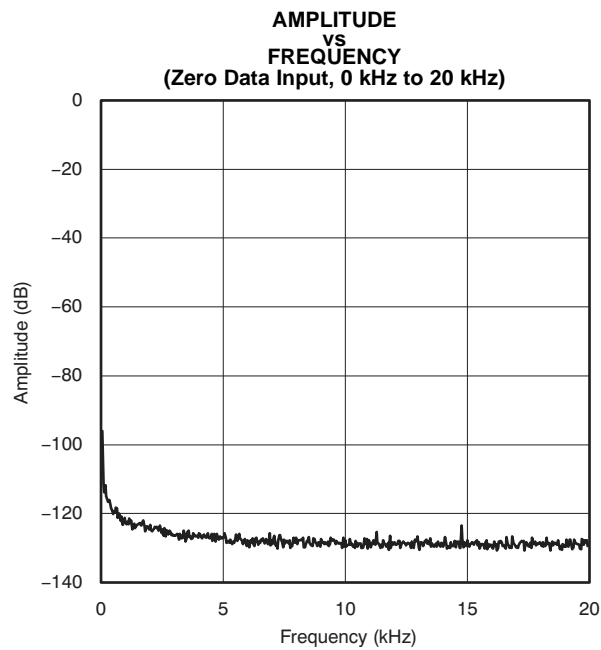


Figure 23.

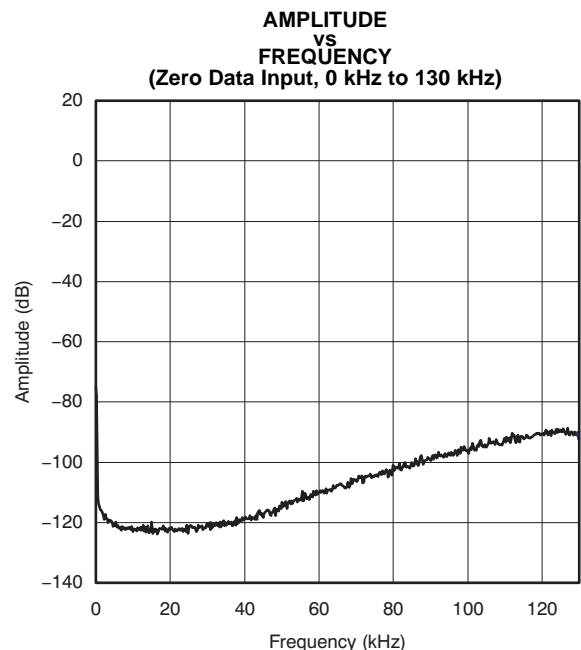


Figure 24.

TYPICAL CHARACTERISTICS: Output Spectrum (ADC)

All specifications at $T_A = +25^\circ\text{C}$, $V_{DD} = V_{CCAD} = V_{CCDA} = V_{CCP} = 3.3\text{ V}$, $V_{CCH} = 9\text{ V}$, $f_s = 48\text{ kHz}$, system clock = $256 f_s$, and 24-bit data, unless otherwise noted.

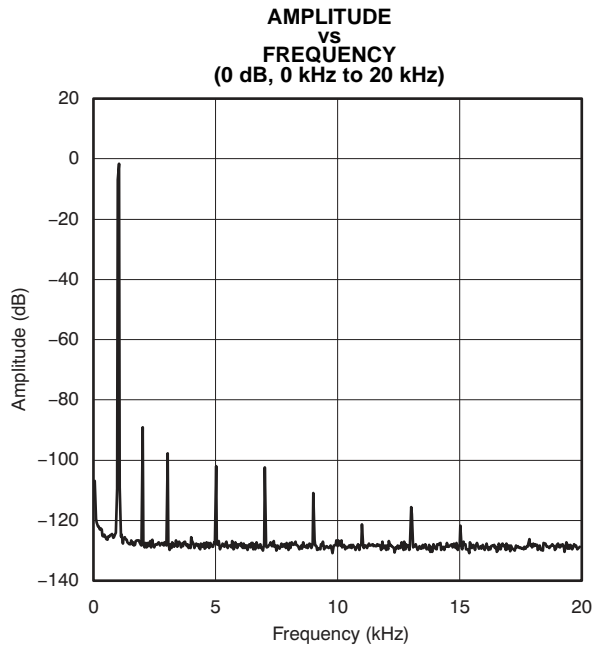


Figure 25.

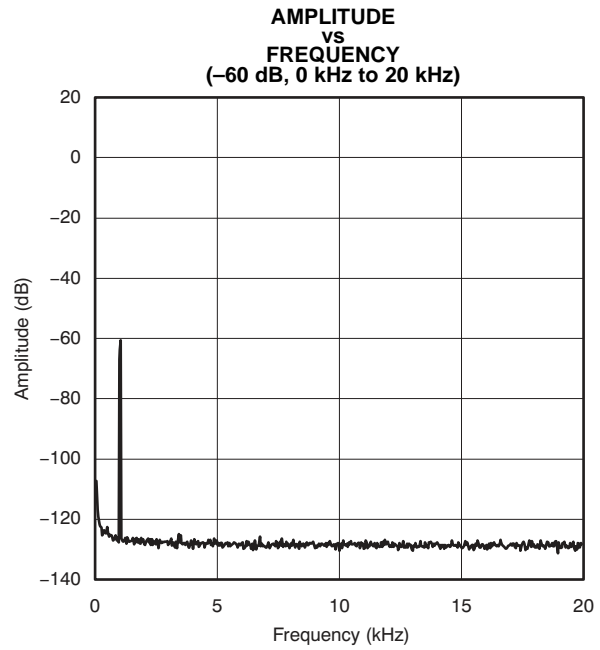


Figure 26.

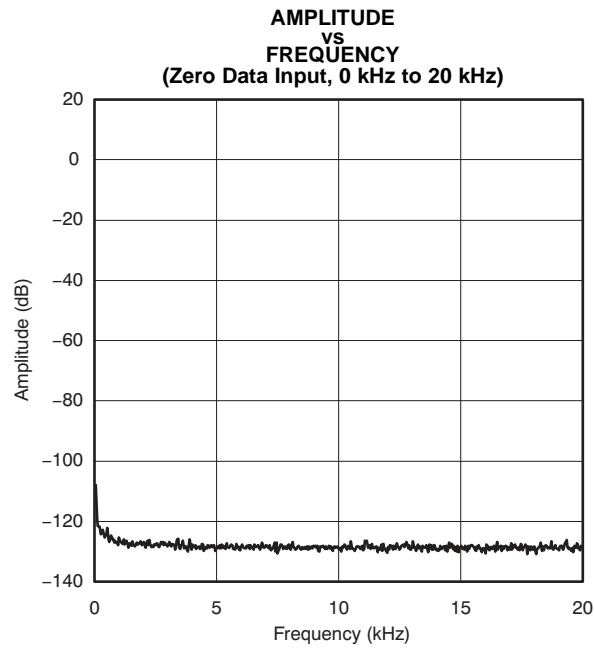


Figure 27.

DETAILED DESCRIPTION

ANALOG INPUTS

The PCM5310 includes a four-channel analog-to-digital converter (ADC) with a programmable gain amplifier (PGA) and six stereo analog inputs with a $2\text{-}V_{\text{RMS}}$ input. Pins AIN1L/1R to AIN6L/6R are connected to the ADC left (L) or right (R) channel through the analog multiplexer (mux) and PGA, as shown in Figure 28. If the analog input voltage level is less than $2\text{-}V_{\text{RMS}}$, it can be amplified by using the PGA. The gain level can be set to 9 dB, 6 dB, or 3 dB. The descriptions for the analog input registers are shown in Table 1.

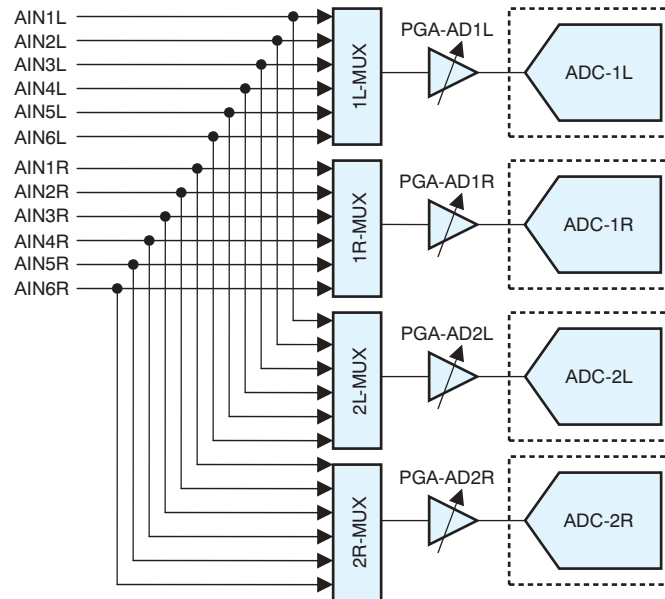


Figure 28. Analog Inputs

Table 1. Analog Input Registers

REGISTER DESCRIPTION	REGISTER NUMBER	REGISTER BITS
Analog input mux selection for ADC1L/1R	20	AX1R[2:0], AX1L[2:0]
Analog input mux selection for ADC2L/2R	21	AX2R[2:0], AX2L[2:0]
Analog input gain control for ADC1L/1RW	22	AG1R[1:0], AG1L[1:0]
Analog input gain control for ADC2L/2R	23	AG2R[1:0], AG2L[1:0]

ANALOG OUTPUTS

The PCM5310 includes a four-channel digital-to-analog converter (DAC), two stereo line outputs with analog level control, a headphone output with analog volume control, and an analog multiplexer (mux) with analog direct input path. Line outputs (LO1L, LO1R, LO2L, LO2R) have a $2\text{-}V_{\text{RMS}}$ capability without external amplifiers. If an audio application requires a higher output voltage level, the PCM5310 can achieve a $2.4\text{-}V_{\text{RMS}}$ output.

The headphone output (HPOL, HPOR) has a driving capability of more than 30 mW of output power into a $16\text{-}\Omega$ load at 0.1% THD, and an analog volume with zero crossing that can be controlled from -70 dB to 12 dB . For audio applications that require it, the analog volume for the L- and R-channels can be set simultaneously using the headphone output update control.

The line outputs and headphone output can select analog input sources from all the analog inputs and each DAC channel, as shown in Figure 29. The descriptions for the analog output registers are shown in Table 2.

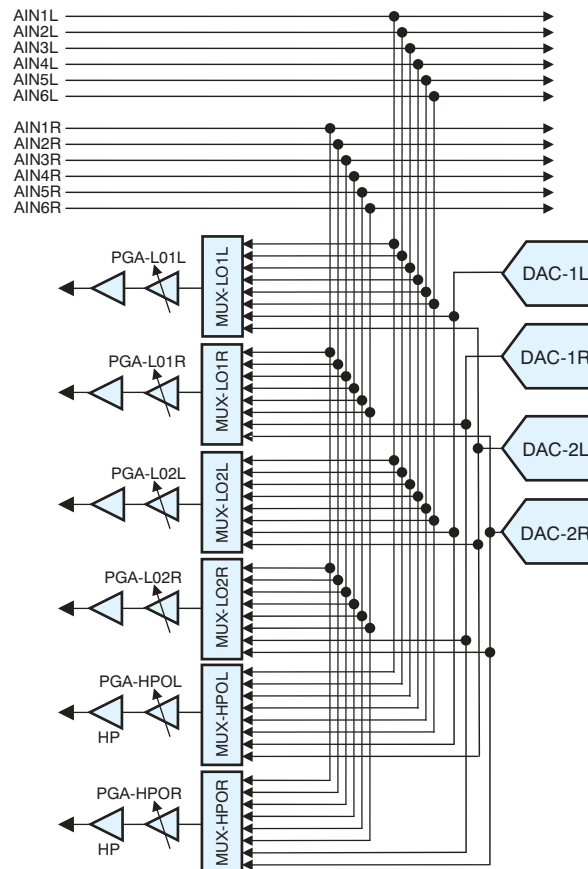


Figure 29. Analog Outputs

Table 2. Analog Output Registers

REGISTER DESCRIPTION	REGISTER NUMBER	REGISTER BITS
Gain level control for line outputs	27	GL2R[1:0], GL2L[1:0], GL1R[1:0], GL1L[1:0]
$2.0 V_{\text{RMS}}$ or $2.4 V_{\text{RMS}}$ selection for line outputs	28	G242, G241
Headphone volume zero crossing update control	30	HUPE, HSUR, HSUL, HZRS
Headphone output volume level setting	31, 32	HMUL, HMUR, HVOL[6:0], HVOR[6:0]
Analog output mux selection for line output 1	24	AL1R[3:0], AL1L[3:0]
Analog output mux selection for line output 2	25	AL2R[3:0], AL2L[3:0]
Analog output mux selection for headphone output	26	AHPR[3:0], AHPL[3:0]

SYSTEM CLOCK INPUT, OUTPUT, AND f_S AUTOMATIC DETECTION

The PCM5310 has six system clock input ports: SCK1, SCK2, SCK3, SCK4, SCK5, and SCK6. Each input port can receive an independent clock at various frequencies. These ports are used for the internal clock of the digital filters and delta-sigma modulators, which are combined into a single common audio clock. The PCM5310 automatically detects the input clock rate at $128 f_S$, $192 f_S$, $256 f_S$, $384 f_S$, $512 f_S$ or $768 f_S$ (where f_S is the audio sampling rate); if necessary, automatic clock rate detection can be disabled. The descriptions for the system clock input, output, and f_S automatic detection registers are shown in Table 3. Table 4 shows the frequency of the common audio clock. Figure 30 and Table 5 shows the timing requirements for the system clock input.

Table 3. System Clock Input, Output, and f_S Automatic Detection Registers

REGISTER DESCRIPTION	REGISTER NUMBER	REGISTER BITS
Master or slave with f_S detection for DAC12	44	DMS12[3:0]
Audio interface format for DAC12	44	DFM12[1:0]
Master or slave with f_S detection for DAC34	54	DMS34[3:0]
Audio interface format for DAC34	54	DFM34[1:0]
Master or slave with f_S detection for ADC12	84	AMS12[3:0]
Audio interface format for ADC12	84	AFM12[1:0]
Master or slave with f_S detection for ADC34	94	AMS34[3:0]
Audio interface format for ADC34	94	AFM34[1:0]
SCK6 clock output selection	07	PSC6[2:0]

Table 4. System Clock Frequencies for the Common Audio Clock

SAMPLING FREQUENCY (kHz)	SYSTEM CLOCK FREQUENCY (MHz)					
	$128 f_S$ ⁽¹⁾	$192 f_S$ ⁽¹⁾	$256 f_S$	$384 f_S$	$512 f_S$	$768 f_S$
32	4.0960	6.1440	8.1920	12.2880	16.3840	24.5760
44.1	5.6488	8.4672	11.2896	16.9344	22.5792	33.8688
48	6.1440	9.2160	12.2880	18.4320	24.5760	36.8640
88.2	11.2896	16.9344	22.5792	33.8688	Not supported	Not supported
96	12.2880	18.4320	24.5760	36.8640	Not supported	Not supported
176.4 ⁽¹⁾	22.5792	33.8688	Not supported	Not supported	Not supported	Not supported
192 ⁽¹⁾	24.5760	36.8640	Not supported	Not supported	Not supported	Not supported

(1) This sampling frequency and system clock frequency are supported only for the DAC.

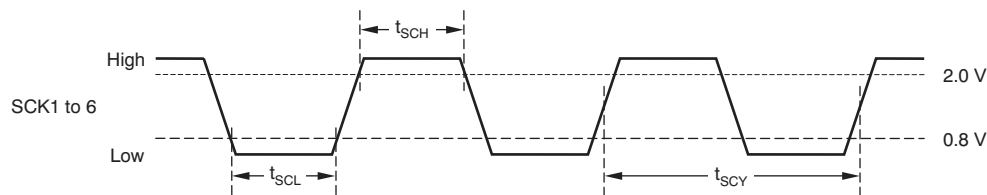


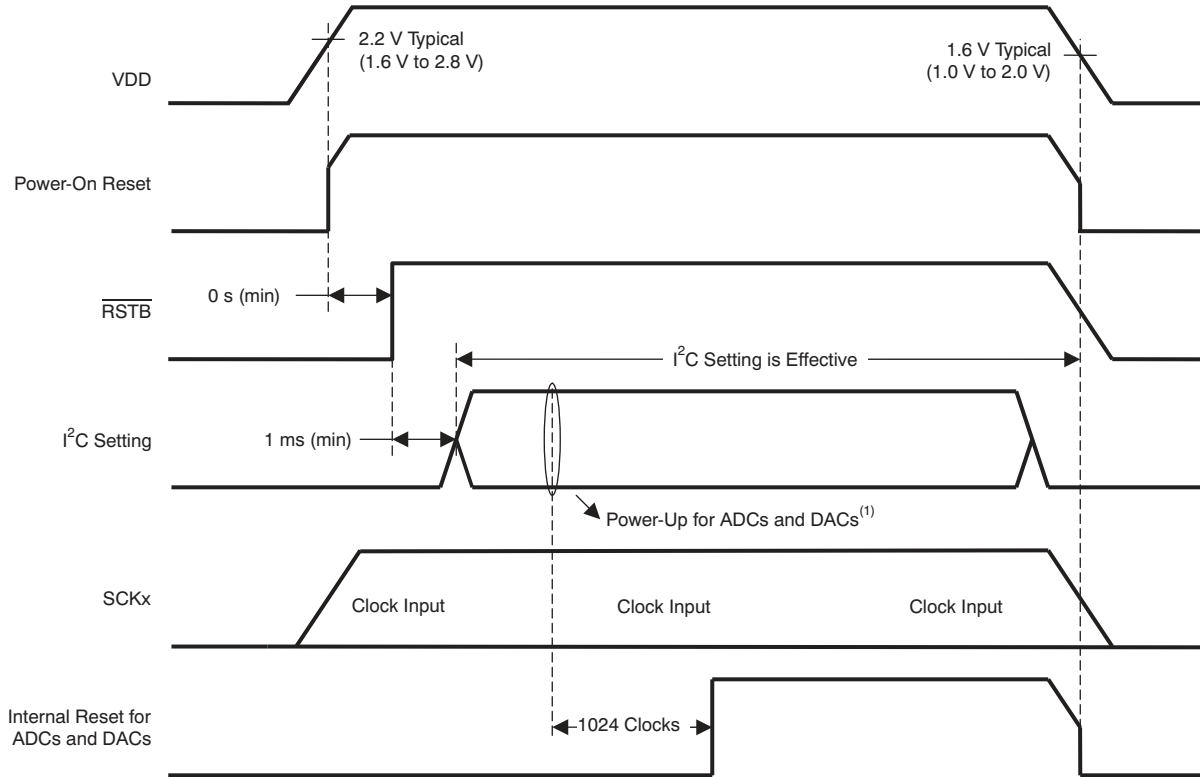
Figure 30. System Clock Input Timing

Table 5. Timing Characteristics for Figure 30

PARAMETER		MIN	MAX	UNIT
t_{SCY}	System clock cycle time	25		ns
t_{SCH}	System clock high time	$0.4 t_{SCY}$		ns
t_{SCL}	System clock low time	$0.4 t_{SCY}$		ns
	System clock duty cycle	40	60	%

POWER ON/OFF RESET

The power-on reset (POR) circuit generates a reset signal at typically 2.2 V; this circuit does not depend on the other power supplies: V_{CCDA} , V_{CCAD} , V_{CCH} , and V_{CCP} . The internal circuit is cleared to default status, then all analog and digital outputs have no signal. It is recommended to turn the device on and off as shown in Figure 31, in order to avoid loud, audible *pop* noises when powering the device on or off.



(1) \overline{RSTB} is active low. 100 ns (minimum) is needed for an effective reset to the internal circuit.

Figure 31. Power On/Off Reset

REGISTER RESET AND SYSTEM RESET (Register 01)

Register reset (MRST) clears all register data to the default setting. The MRST register is automatically set to '1' after the reset.

System reset (SRST) clears all internal circuits, including all register data, to default status simultaneously. The SRST register is automatically set to '1' after the reset.

Note that the PCM5310 may have audible pop noises on the analog and digital outputs when enabling MRST and SRST.

The descriptions for the register reset and system reset registers are shown in [Table 6](#).

Table 6. Reset Registers

REGISTER DESCRIPTION	REGISTER NUMBER	REGISTER BITS
Reset register data only	01	MRST
Reset for all circuits including register data	01	SRST

$\overline{\text{RSTB}}$ Control

Taking $\overline{\text{RSTB}}$ (pin 58) from high to low clears all internal circuits to default status. If an application does not require reset control, $\overline{\text{RSTB}}$ should be connected with an RC passive delay circuit to the digital power supply (V_{DD}).

Note that the PCM5310 may have audible pop noises on the analog and digital outputs when enabling $\overline{\text{RSTB}}$.

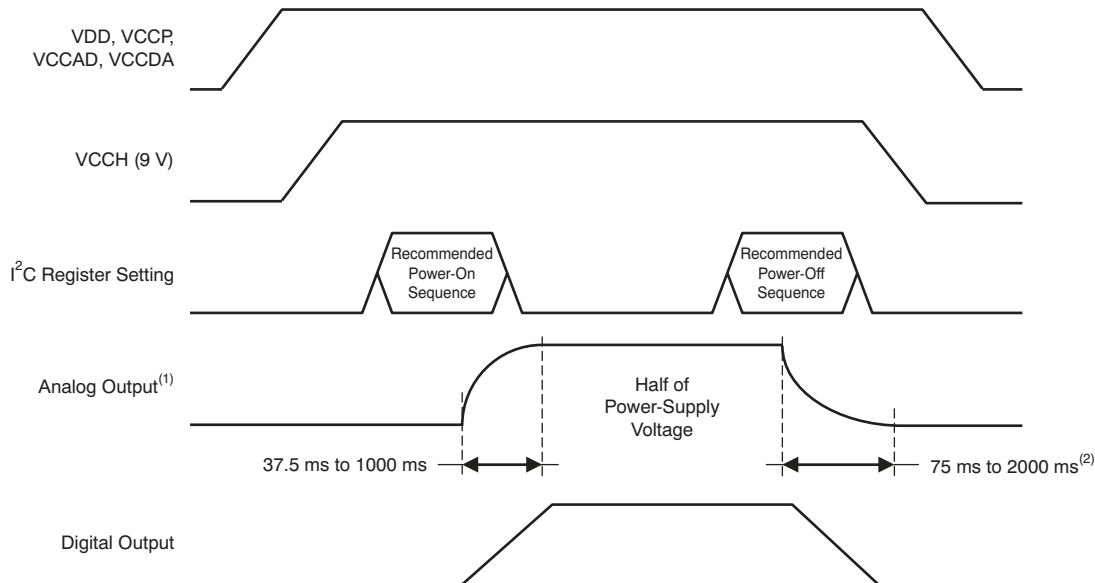
The $\overline{\text{RSTB}}$ control status descriptions are shown in [Table 6](#).

Table 7. $\overline{\text{RSTB}}$ Control

$\overline{\text{RSTB}}$ (PIN 58) STATUS	DESCRIPTION
Low	Reset all circuits including register data
High	Reset release

POWER-SUPPLY SEQUENCE AND POWER ON/OFF SEQUENCE

In order to reduce audible pop noise, a register setting sequence is required after turning on all power supplies and before turning off all power supplies. Any modules that are not used in the application or system should be powered down after the recommended power-on sequence. Before the power-off sequence, all modules should be in a power-on state. The recommended power-supply sequence is shown in Figure 32. The recommended register settings are shown in Table 8 and Table 9.



- (1) Ramp up/down time for the analog output can be changed through the register setting (see Register 18, PDTM[2:0]).
 (2) A 1.0- μ F capacitor should be connected to the VCOMAD and VCOMDA pins.

Figure 32. Recommended Power On/Off Sequence

Table 8. Recommended Register Settings When Powered On

STEP	REGISTER SETTING		DESCRIPTION
	ADDRESS	DATA	
1	—	—	Turn on all power supplies
2	11	00	Analog bias power up
3	1F	49	Headphone output L-channel mute disable and level (–42 dB) setting ⁽¹⁾
4	20	49	Headphone output R-channel mute disable and level (–42 dB) setting ⁽¹⁾
5	1E	B0	Headphone volume update control
6	1B	00	Line output gain (0 dB) control from DAC ⁽¹⁾
7	1C	00	Line output 2 V_{RMS} and 2.4 V_{RMS} mode select
8	2A	FF	DAC12 L-channel digital attenuation level (0 dB) setting ⁽¹⁾
9	2B	FF	DAC12 R-channel digital attenuation level (0 dB) setting ⁽¹⁾
10	29	00	DAC12 digital mute setting and digital gain boost
11	28	B1	DAC12 digital attenuation/mute control and zero crossing enable
12	34	FF	DAC34 L-channel digital attenuation level (0 dB) setting ⁽¹⁾
13	35	FF	DAC34 R-channel digital attenuation level (0 dB) setting ⁽¹⁾
14	33	00	DAC34 digital mute setting and digital gain (0 dB) boost
15	32	B1	DAC34 digital attenuation/mute control and zero crossing enable
16	52	D5	ADC12 L-channel digital attenuation level (0 dB) setting ⁽¹⁾
17	53	D5	ADC12 R-channel digital attenuation level (0 dB) setting ⁽¹⁾

- (1) Any level is acceptable for volume, gain, and attenuation. The level should be resumed by register data recorded when the system powers off.

Table 8. Recommended Register Settings When Powered On (continued)

STEP	REGISTER SETTING		DESCRIPTION
	ADDRESS	DATA	
18	51	00	ADC12 digital mute disable
19	50	01	ADC12 digital attenuation/mute control and zero crossing enable
20	5C	D7	ADC34 L-channel digital attenuation level (0 dB) setting ⁽¹⁾
21	5D	D7	ADC34 R-channel digital attenuation level (0 dB) setting ⁽¹⁾
22	5B	00	ADC34 digital mute disable
23	5A	01	ADC34 digital attenuation/mute control and zero crossing enable
24	18	77	Line output 1 L-/R-channel mux select
25	19	00	Line output 2 L-/R-channel mux select
26	1A	88	Headphone output L-/R-channel mux select
27	14	11	ADC12 analog input mux select (AIN1L/R) ⁽²⁾
28	15	22	ADC34 analog input mux select (AIN2L/R) ⁽²⁾
29	16	00	ADC12 analog input gain level (0 dB) setting ⁽¹⁾
30	17	00	ADC34 analog input gain level (0 dB) setting ⁽¹⁾
31	65	98	Audio interface (LRCKx/BCKx) PORT-1 and PORT-2 setting (ADC12/34, master) ⁽³⁾
32	66	98	Audio interface (DATAx) PORT-1 and PORT-2 setting (DATA output of ADC12/34) ⁽³⁾
33	67	10	Audio interface (SCKx) PORT-1 and PORT-2 setting (input of SCK1/2) ⁽⁴⁾
34	68	32	Audio interface (LRCKx/BCKx) PORT-3 and PORT-4 setting (input of LRCK3/4, BCK3/4) ⁽⁴⁾
35	69	32	Audio interface (DATAx) PORT-3 and PORT-4 setting (input of DATA3/4) ⁽⁴⁾
36	6A	32	Audio interface (SCKx) PORT-3 and PORT-4 setting (input of SCK3/4) ⁽⁴⁾
37	6B	54	Audio interface (LRCKx/BCKx) PORT-5 and PORT-6 setting (input of LRCK3/4, BCK3/4) ⁽⁴⁾
38	6C	54	Audio interface (DATAx) PORT-5 and PORT-6 setting (input of DATA5/6) ⁽⁴⁾
39	6D	54	Audio interface (SCKx) PORT-5 and PORT-6 setting (input of SCK5/6) ⁽⁴⁾
40	6E	43	DAC12 and DAC34 LRCK/BCK select ⁽⁴⁾
41	6F	43	DAC12 and DAC34 DATA select ⁽⁴⁾
42	70	43	DAC12 and DAC34 SCK select ⁽⁴⁾
43	74	89	ADC12 and ADC34 LRCK/BCK select (ADC12/34, master) ⁽⁴⁾
44	75	10	ADC12 and ADC34 SCK select ⁽⁴⁾
45	76	76	GPIO control or GPIO1 and GPIO2 audio data select
46	2C	80	DAC12 audio interface and master/slave select ⁽⁵⁾
47	36	80	DAC34 audio interface and master/slave select ⁽⁵⁾
48	54	40	ADC12 audio interface and master/slave select (master, 256 f _S) ⁽⁵⁾
49	5E	40	ADC34 audio interface and master/slave select (master, 256 f _S) ⁽⁵⁾
50	12	11	Analog back-end and front-end power-up
51	2E	00	DAC12 power-up
52	38	00	DAC34 power-up
53	55	00	ADC12 power-up
54	5F	00	ADC34 power-up
55	12	01	Common voltage (V _{COM}) power-up and ramp up/down time setting

(2) Any input terminals are acceptable for input of ADC12 and ADC34.

(3) These settings are not required if application does not use audio interface mux and bypass selection.

(4) These settings are not required if application does not use audio interface mux and bypass selection.

(5) These settings are not required if application uses slave mode for audio interface and SCK automatic f_S detection.

Table 9. Recommended Register Setting When Powered Off

STEP	REGISTER SETTING		DESCRIPTION
	ADDRESS	DATA	
1	18	00	Line output1 L- and R-channel mux select
2	19	00	Line output2 L- and R-channel mux select
3	1A	00	Headphone output L- and R-channel mux select
4	14	00	ADC12 analog input mux select
5	15	00	ADC34 analog input mux select
6	12	11	Common voltage (V_{COM}) power-down and ramp up/down time setting
7	55	80	ADC12 power-down
8	5F	80	ADC34 power-down
9	2E	80	DAC12 power-down
10	38	80	DAC34 power-down
11	12	71	Analog back-end and front-end power-down
12	11	80	Analog bias power-down
13	—	—	Turn off all power supplies

AUDIO SERIAL INTERFACE

The PCM5310 has six audio interface ports: SCKx, BCKx, LRCKx, and DATAx (bidirectional). Each port or signal can be connected to any ADC or DAC. If an audio system application wants to bypass an audio signal, the PCM5310 can bypass from any port to any port. Refer to [Figure 33](#) for a diagram of the of the audio interface port and mux. See [Figure 47](#) to [Figure 52](#) for detailed diagrams of PORT-1 to PORT-6.

The audio interface consists of LRCKs, BCKs, and DATAs. The sampling rate (f_s), left channel and right channel data are present on the LRCKs. The DATAs receive the serial audio data from the interpolation filter for the DAC, and the DATAs transmit the serial data to the decimation filter. The BCKs are used to receive and transmit the serial audio data on the DATAs by high-to-low transition. The BCKs and LRCKs should be synchronized with the system clocks, SCKs. The PCM5310 operates with the LRCKs/BCKs synchronized with the SCKs; however, the PCM5310 does not need a specific phase between the BCKs/LRCKs and the SCKs. Each audio interface port can select either the master or slave mode, and generate the LRCKs and BCKs from the SCKs in master mode. The descriptions for the audio serial interface registers are shown in [Table 6](#).

Table 10. Audio Serial Interface Registers

REGISTER DESCRIPTION	REGISTER NUMBER	REGISTER BITS
Master or slave with f_s detection for DAC12	44	DMS12[3:0]
Audio interface format for DAC12	44	DFM12[1:0]
Master or slave with f_s detection for DAC34	54	DMS34[3:0]
Audio interface format for DAC34	54	DFM34[1:0]
Master or slave with f_s detection for ADC12	84	AMS12[3:0]
Audio interface format for ADC12	84	AFM12[1:0]
Master or slave with f_s detection for ADC34	94	AMS34[3:0]
Audio interface format for ADC34	94	AFM34[1:0]
LRCK/BCK selection of PORT-1 and PORT-2	101	LBS2[3:0], LBS1[3:0]
DATA selection of PORT-1 and PORT-2	102	DTS2[3:0], DTS1[3:0]
SCK selection of PORT-1 and PORT-2	103	SCS2[2:0], SCS1[2:0]
LRCK/BCK selection of PORT-3 and PORT-4	104	LBS4[3:0], LBS3[3:0]
DATA selection of PORT-3 and PORT-4	105	DTS4[3:0], DTS3[3:0]
SCK selection of PORT-3 and PORT-4	106	SCS4[2:0], SCS3[2:0]
LRCK/BCK selection of PORT-5 and PORT-6	107	LBS6[3:0], LBS5[3:0]
DATA selection of PORT-5 and PORT-6	108	DTS6[3:0], DTS5[3:0]
SCK selection of PORT-5 and PORT-6	109	SCS6[2:0], SCS5[2:0]
LRCK/BCK selection of DAC12 and DAC34	110	D34LB[3:0], D12LB[3:0]
DATA selection of DAC12 and DAC34	111	D34DT[3:0], D12DT[3:0]
SCK selection of DAC12 and DAC34	112	D34S[2:0], D12S[2:0]
LRCK/BCK selection of ADC12 and ADC34	116	A34LB[3:0], A12LB[3:0]
SCK selection of ADC12 and ADC34	117	A34SC[2:0], A12SC[2:0]
GPIO-1 and GPIO-2 audio data selection	118	GP2S[3:0], GP1S[3:0]

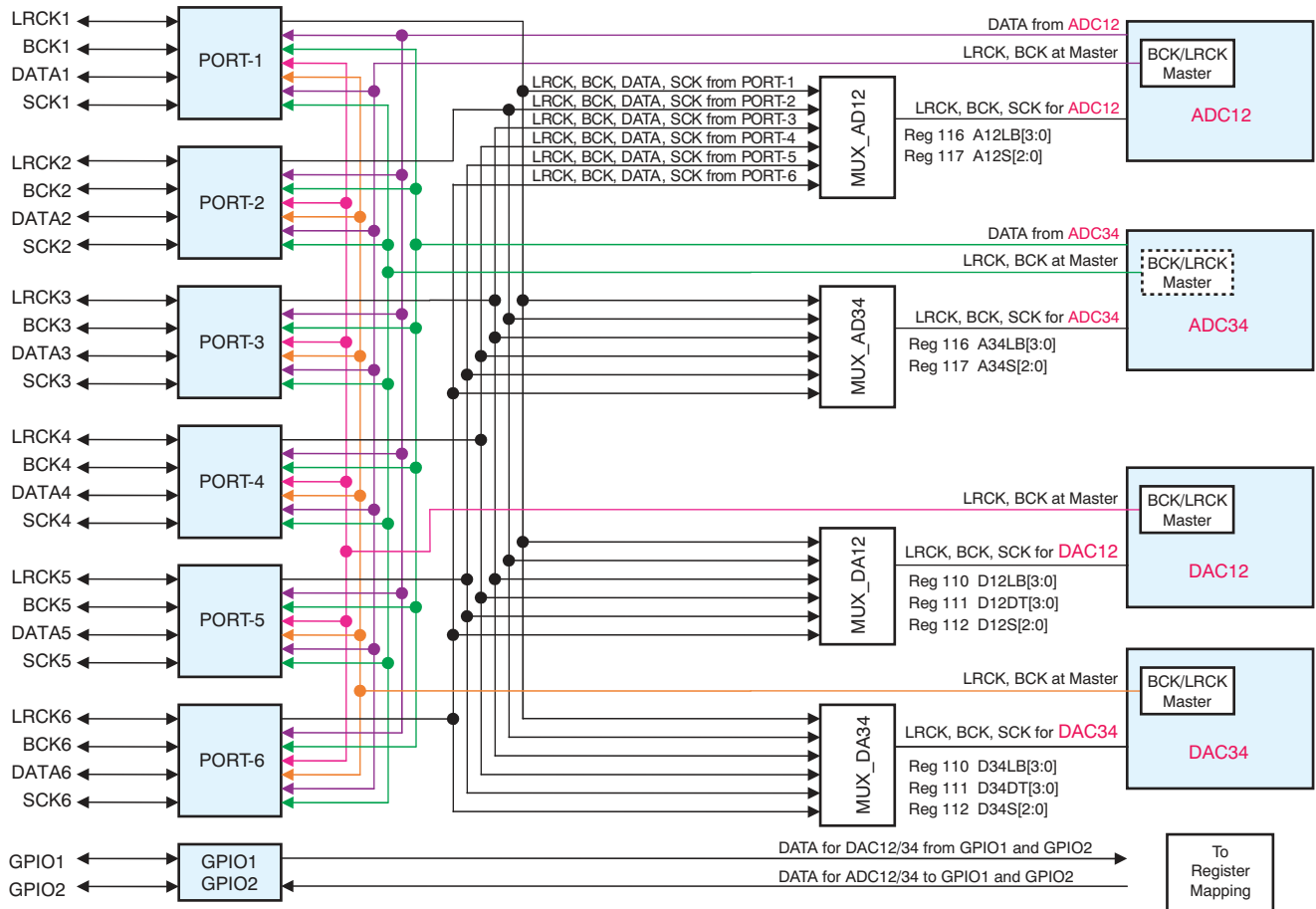


Figure 33. Audio Interface Port and Mux

AUDIO DATA FORMATS AND TIMING

The PCM5310 supports I²S, left-justified, and right-justified data formats with 32 f_s, 48 f_s, or 64 f_s BCK rates for digital input, and 48 f_s or 64 f_s BCK rates for the ADC. The data formats are shown in Figure 34 and can be selected through the I²C interface. All formats require binary twos complement, MSB first audio data. The default format is 16- to 24-bits I²S. Figure 35 and Figure 36 show detailed timing diagrams. The descriptions for the audio interface data format registers are shown in Table 11.

Table 11. Audio Interface Data Format Registers

REGISTER DESCRIPTION	REGISTER NUMBER	REGISTER BITS
Audio interface format for DAC12	44	DFM12[1:0]
Audio interface format for DAC34	54	DFM34[1:0]
Audio interface format for ADC12	84	AFM12[1:0]
Audio interface format for ADC34	94	AFM34[1:0]

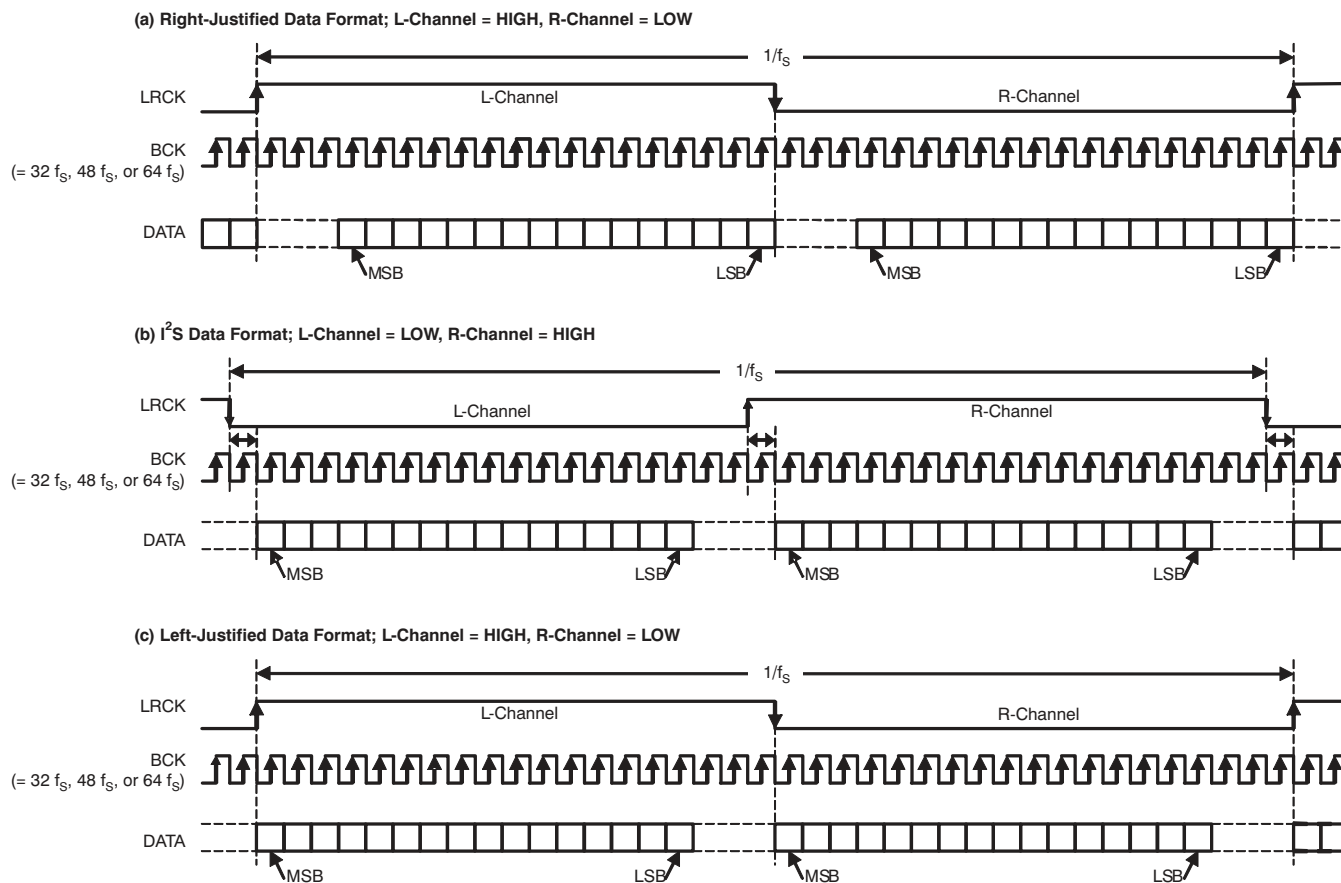
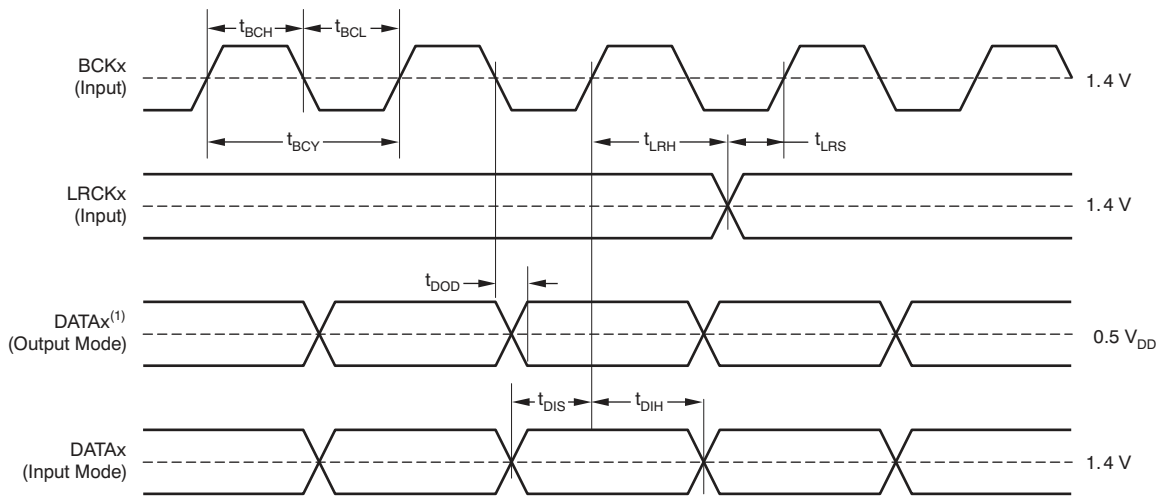


Figure 34. Audio Data Input and Output Formats

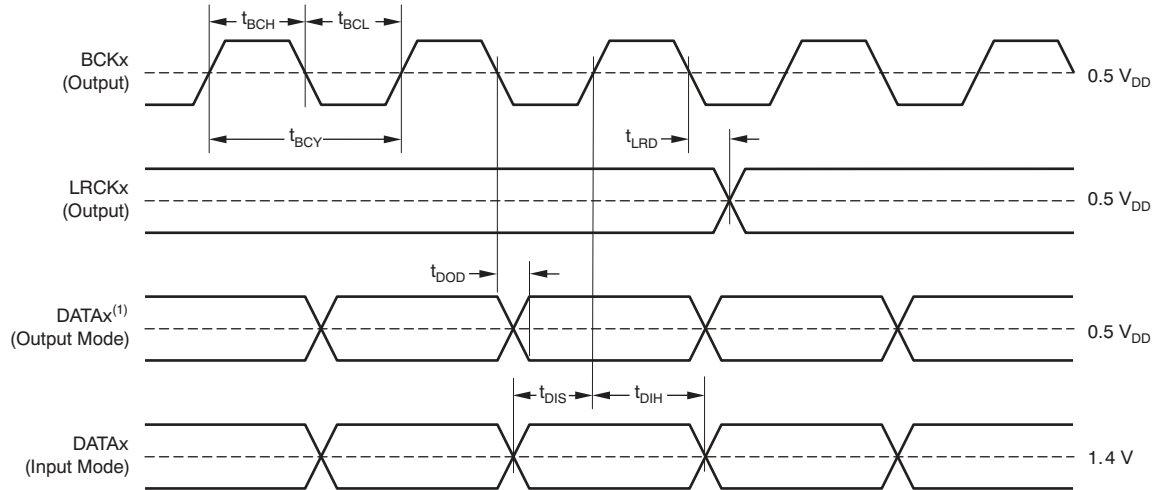


(1) Load capacitance of output is 20 pF.

Figure 35. Audio Interface Timing (Slave Mode)

Table 12. Timing Requirements for Figure 35

PARAMETER		MIN	MAX	UNIT
t_{BCY}	BCKx cycle time	75		ns
t_{BCH}	BCKx pulse width high	35		ns
t_{BCL}	BCKx pulse width low	35		ns
t_{LRS}	LRCKx set-up time to BCKx rising edge	15		ns
t_{LRH}	LRCKx hold time to BCKx rising edge	10		ns
t_{DIS}	DATAx setup time to BCKx rising edge	10		ns
t_{DIH}	DATAx hold time to BCKx rising edge	10		ns
t_{DOD}	DATAx delay time from BCKx falling edge	0	30	ns



(1) Load capacitance of output is 20 pF.

Figure 36. Audio Interface Timing (Master Mode)

Table 13. Timing Requirements for Figure 36

PARAMETER		MIN	TYP	MAX	UNIT
t_{BCY}	BCKx cycle time		$1/(64 f_s)$		
t_{BCH}	BCKx pulse width high	$0.4 t_{BCY}$	$0.5 t_{BCY}$	$0.6 t_{BCY}$	
t_{BCL}	BCKx pulse width low	$0.4 t_{BCY}$	$0.5 t_{BCY}$	$0.6 t_{BCY}$	
t_{LRD}	LRCKx delay time from BCKx falling edge	-15		20	ns
t_{DIS}	DATAx setup time to BCKx rising edge	10			ns
t_{DIH}	DATAx hold time to BCKx rising edge	10			ns
t_{DOD}	DATAx delay time from BCKx falling edge	-10		20	ns

ADC AND FILTER

The analog-to-digital converter (ADC) and digital filter include a delta-sigma modulator, decimation filter, high-pass filter (HPF), digital gain control, digital attenuation control, and digital soft mute, as shown in [Figure 37](#). The HPF eliminates dc offset of the ADC analog section with 0.91 Hz as the cutoff frequency at a 48-kHz sampling rate. The digital gain or attenuation control can be adjusted from 20 dB to –100 dB in 0.5-dB steps. The descriptions for the ADC and filter registers are shown in [Table 14](#).

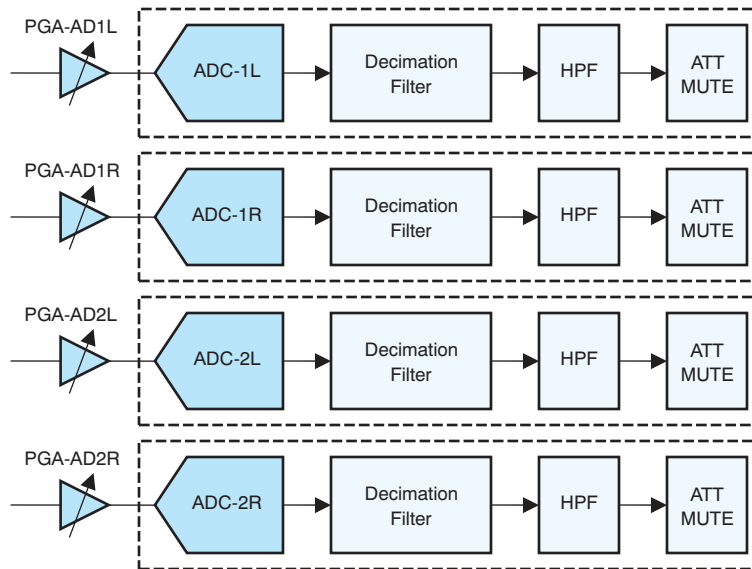


Figure 37. ADCs and Filters

Table 14. ADC and Filter Registers

REGISTER DESCRIPTION	REGISTER NUMBER	REGISTER BITS
Digital attenuation and gain update control for ADC12	80	A12E, AUC2, AUC1, AZ12
Digital soft mute setting for ADC12	81	AMU2, AMU1
Digital attenuation and gain level setting for ADC12	82, 83	AAT2[7:0], AAT1[7:0]
High-pass filter disable for ADC12	84	HF12
Digital attenuation and gain update control for ADC34	90	A34E, AUC4, AUC3, AZ34
Digital soft mute setting for ADC34	91	AMU4, AMU3
Digital attenuation and gain level setting for ADC34	92, 93	AAT4[7:0], AAT3[7:0]
High-pass filter disable for ADC34	94	HF34

DAC AND FILTER

The digital-to-analog converter (DAC) and digital filter include a delta-sigma modulator, interpolation filter, de-emphasis filter (DEM), digital gain control, digital attenuation control, digital soft mute, and digital gain boost, as shown in Figure 38. The digital gain or attenuation control can be adjusted from 20 dB to –100 dB in 0.5-dB steps. To play back low-volume recorded audio data, the digital gain can be used with a boost of either 6 dB, 12 dB, or 18 dB selected through the I²C interface. The descriptions for the DAC and filter registers are shown in Table 14.

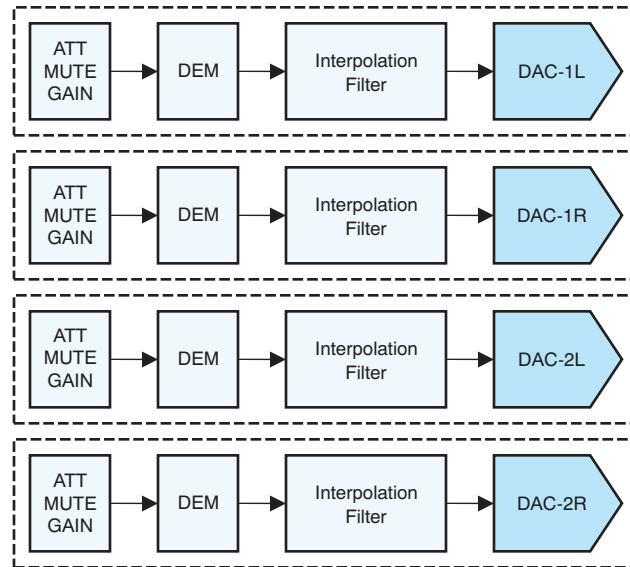


Figure 38. DACs and Filters

Table 15. DAC and Filter Registers

REGISTER DESCRIPTION	REGISTER NUMBER	REGISTER BITS
Digital attenuation and gain update control for DAC12	40	D12E, DUC2, DUC1, DZ12
Digital soft mute and boost setting for DAC12	41	DMU2, DMU1, DB12[1:0]
Digital attenuation and gain level setting for DAC12	42, 43	DAT2[7:0], DAT1[7:0]
De-emphasis filter setting for DAC12	45	DM12, DF12[1:0]
Digital attenuation and gain update control for DAC34	50	D34E, DUC4, DUC3, DZ34
Digital soft mute setting for DAC34	51	DMU4, DMU3
Digital attenuation and gain level setting for DAC34	52, 53	DAT4[7:0], DAT3[7:0]
De-emphasis filter setting for DAC34	55	DM34, DF34[1:0]

GPIO CONTROL

The PCM5310 has three general-purpose input/output (GPIO) pins (pins 55, 56, and 57) that can be assigned to various functions and internal status reads shown in [Table 16](#), [Table 17](#), [Table 18](#), and [Figure 39](#).

Table 16. GPIO Control Registers

REGISTER DESCRIPTION	REGISTER NUMBER	REGISTER BITS
GPIO1 select, bypass PORT-4	09	GBP4, GSL1[4:0]
GPIO2 select, bypass PORT-5	10	GBP5, GSL2[4:0]
GPIO3 select	11	GSL3[4:0]

Table 17. Register Data Read Through the GPIO Pins

REGISTER DESCRIPTION	REGISTER NUMBER	REGISTER BITS
External device control	08	GPO3, GPO2, GPO1
Headphone short-circuit protection status	16	SSHR, SSSL
Headphone insertion detect status	35	RHPI
Mute status for headphone	35	RHMUR, RHMUL
System clock f_s detect for DAC12, DAC34	35, 36	RD12FS[2:0], RD34[2:0]
System clock f_s detect for ADC12, ADC34	37, 38	RA12FS[2:0], RA34[2:0]
Digital mute status for DAC12 and DAC34	36	RDM4, RDM3, RDM2, RDM1
Digital mute status for ADC12 and ADC34	37	RAM4, RAM3, RAM2, RAM1
Zero crossing timeout for DAC12 and DAC34	38	RDZ4, RDZ3, RDZ2, RDZ1
Zero crossing timeout for ADC12 and ADC34	39	RAZ4, RAZ3, RAZ2, RAZ1
Zero crossing timeout for headphone	39	RHZR, RHZL

Table 18. Other GPIO Pin Functions

GPIO PIN FUNCTION	DESCRIPTION
Zero flag for digital input	Read the status for each DAC channel or all DAC channels
Logic	OR, AND, NOR, NAND, buffer, inverter
Audio data	Bypass audio data to PORT-4 and PORT-5 from GPIO pins

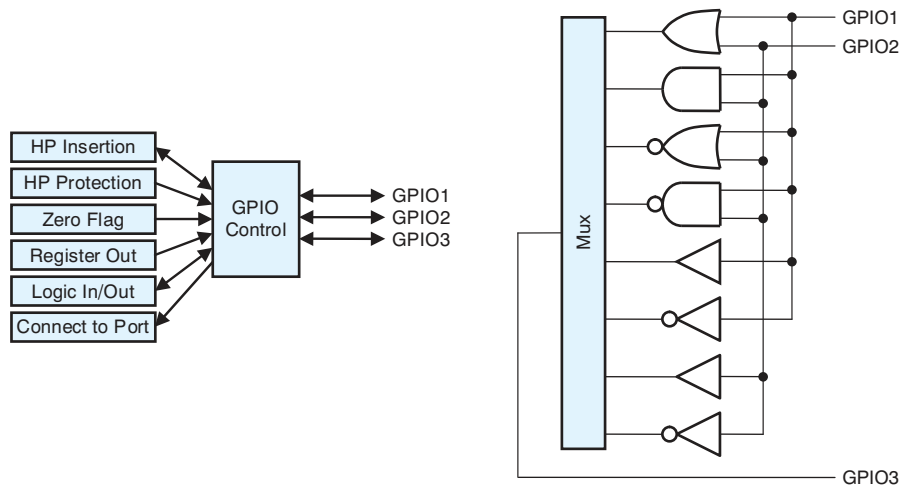


Figure 39. GPIO Control

HEADPHONE SHORT-CIRCUIT PROTECTION

The PCM5310 has short-circuit protection for each headphone output. The short-circuit status can be read from the GPIO pins and the register data can be read through the I²C interface. The short-circuit detection time can be internally adjusted to avoid the headphone amplifier shutting down when inserting or removing the headphone jack. The descriptions for the headphone and short-circuit protection registers are shown in Table 19. The headphone short-circuit protection sequence is shown in Figure 40.

Table 19. Headphone Short-Circuit Protection Registers

REGISTER DESCRIPTION	REGISTER NUMBER	REGISTER BITS
Headphone short-circuit protection enable/disable	13	SRCR, SHCR, SPDR, SRCL, SHCL, SPDL
Headphone short-circuit protection detect time	14	SDTR[1:0], SDTL[1:0]
Headphone short-circuit protection release time	15	SRTR[1:0], SRLT[1:0]
Headphone short-circuit protection status read	16	SSHR, SSHL

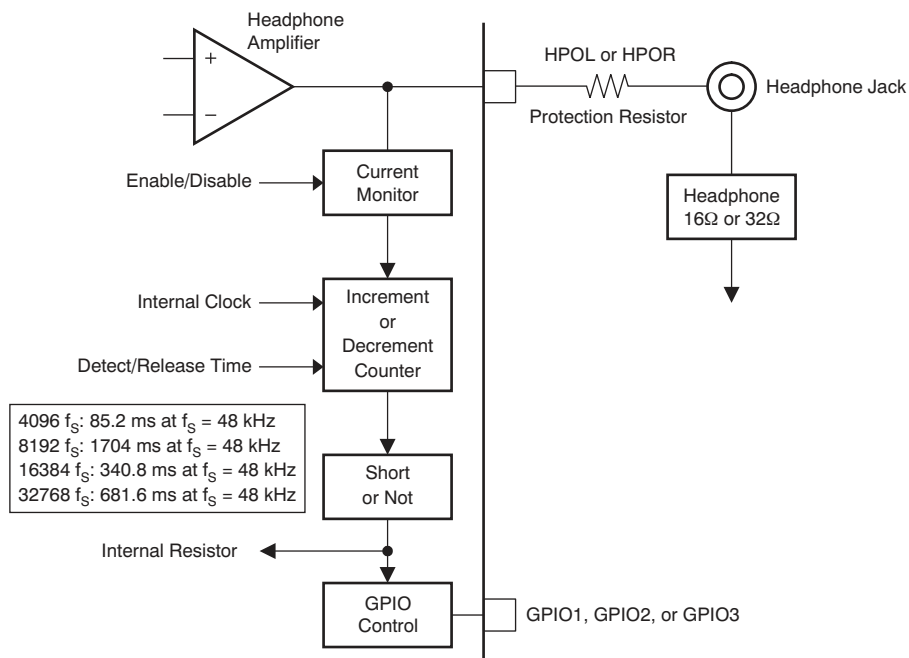


Figure 40. Headphone Short-Circuit Protection Sequence

When the short-circuit protection is enabled, it is recommended to insert a small protection resistor to limit over-current flow. Table 20 shows the headphone output power with a small resistor.

Table 20. Headphone Amplifier Output Power Load

R _L = 32 Ω + PROTECTION RESISTOR	32 Ω + 4 Ω	32 Ω + 8 Ω	32 Ω + 16 Ω
0.1% THD	28 mW	22 mW	16 mW
10% THD	37 mW	31 mW	22 mW

HEADPHONE INSERTION DETECTION

The descriptions for the headphone insertion detection registers are shown in [Table 21](#). The PCM5310 detects the insertion status of a headphone plug using the GPIO pins through the register setting and writes the status to the register, which can be read by the I²C interface. The status can also output to the GPIO pins, as shown in [Figure 41](#).

Table 21. Headphone Insertion Detection Registers

REGISTER DESCRIPTION	REGISTER NUMBER	REGISTER BITS
GPIO1 selection	09	GSL1[4:0]
GPIO2 selection	10	GSL2[4:0]
GPIO3 selection	11	GSL3[4:0]
Read status for headphone insertion	35	RIPI

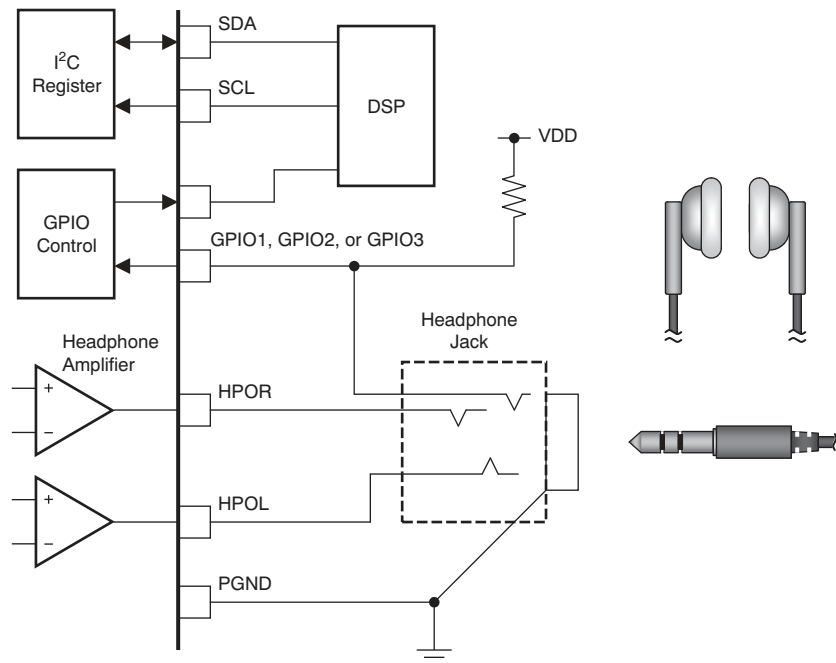


Figure 41. Headphone Insertion Detection

ZERO FLAG DETECTION

The PCM5310 detects continuous zero data input to either DAC12, DAC34, or both DAC12 and DAC34. The GPIO pins can output the status to an external device by the register setting. The flag changes from low to high when the L- and R-channel data are zero after $1024 f_s$. The descriptions for the zero flag detection registers are shown in Table 22. Figure 42 shows the zero flag detection operation.

Table 22. Zero Flag Registers

REGISTER DESCRIPTION	REGISTER NUMBER	REGISTER BITS
GPIO1 selection	09	GSL1[4:0]
GPIO2 selection	10	GSL2[4:0]
GPIO3 selection	11	GSL3[4:0]

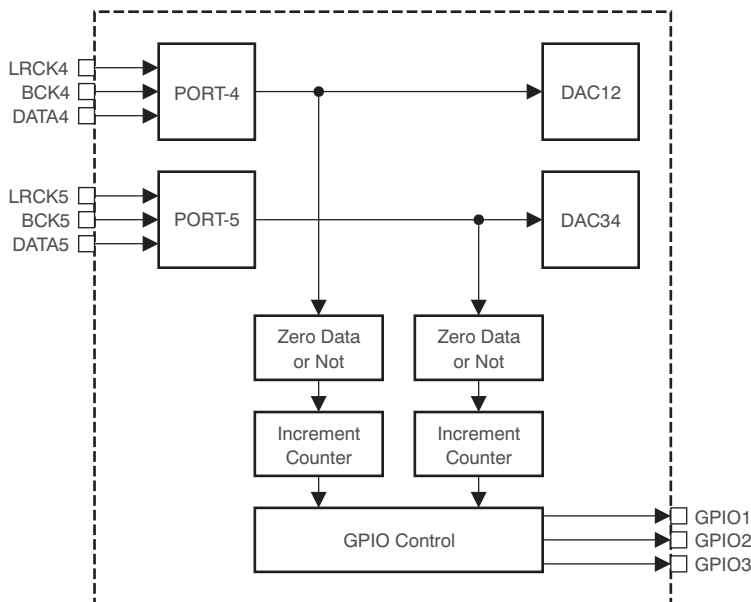


Figure 42. Zero Flag Detection

AMUTE Control

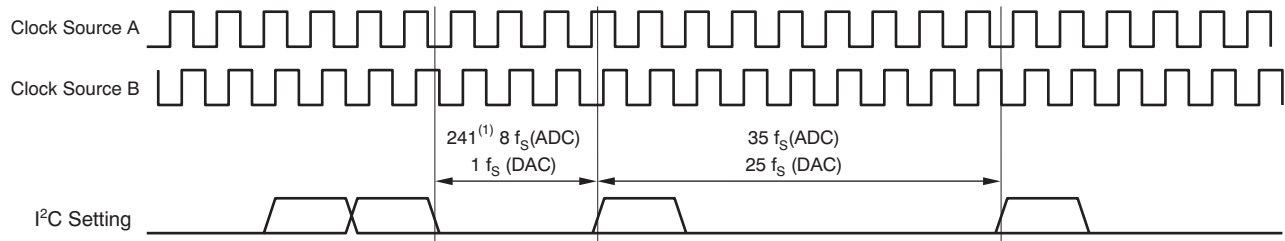
The PCM5310 has an AMUTE pin (pin 59) that controls the digital and analog mute function linked to Register 19 (13h). If these settings are disabled and the AMUTE pin goes from low to high, the PCM5310 holds the digital and analog mute disabled. If these settings are enabled and the AMUTE pin goes from low to high, the PCM5310 enables digital and analog mute. The mute function set by the AMUTE pin is effective, regardless of the setting in Register 19.

MUTE CONTROL TIMING DURING CLOCK CHANGES

The PCM5310 has six audio interface ports and can change from the current source to another source. However, the analog output or digital output may have an audible pop noise when changing or stopping clocks. It is recommended to use the mute control with zero data input and waiting time to avoid pop noise and clean up the internal circuit via I²C. Figure 43 illustrates the details.

Note that the digital and analog inputs should be zero data initially. After that, use the following steps:

1. Disable zero crossing detection.
2. Enable the analog or digital output mute.
3. Change the clock source.
4. Disable the analog or digital mute.



NOTE: The digital and analog inputs should be zero data at first. Then use the following setting procedure:

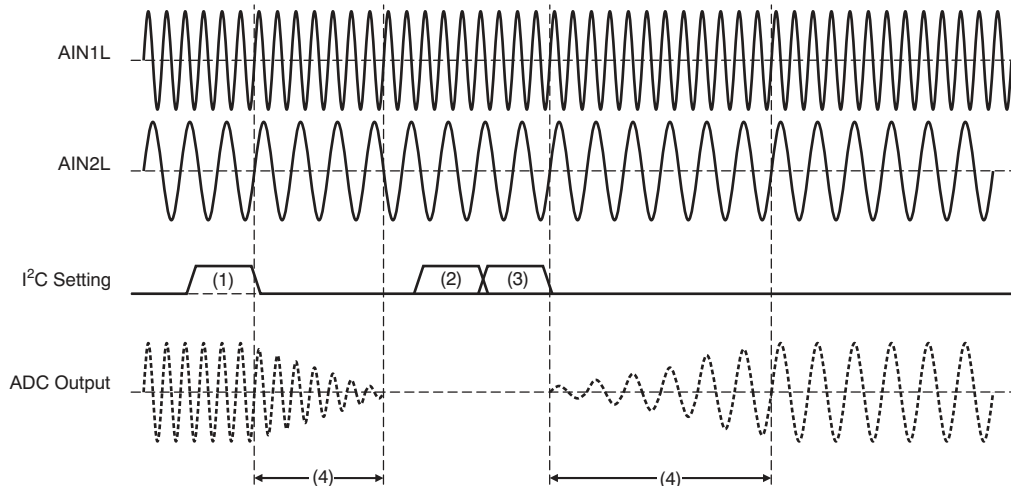
- a) Disable zero crossing detection.
- b) Enable analog or digital output mute.
- c) Change the clock source.
- d) Disable the analog or digital mute.

- (1) Value depends on attenuation level setting in Registers 82, 83, 92, and 93.

Figure 43. Mute Control Timing During Clock Changes

ANALOG MUX CHANGING TO REDUCE AUDIBLE NOISE

The PCM5310 has an analog multiplexer (mux) that can select six stereo analog inputs. The ADC output may have audible noise when selecting without mute control via I²C. It is recommend to use digital soft mute before changing the analog input, as shown in [Figure 44](#).



- (1) Enable digital soft mute of ADC.
- (2) Change analog input source.
- (3) Disable digital soft mute of ADC.
- (4) Maximum mute time is $[241 \times 8 f_s]$ seconds; however, this time depends on the wave form if zero crossing is enabled. It is recommended to read the status of this mute from Register 35 to 39 via I²C. Then if the status is high, disable mute.

Figure 44. Analog Mux Changing to Reduce Audible Noise

TWO-WIRE INTERFACE (I²C)

The PCM5310 supports the I²C serial bus and the data transmission protocol for the I²C standard as a slave device. This protocol is explained in the I²C specification 2.0.

In I²C mode, the control terminals are changed as shown in [Table 23](#).

Table 23. Control Pins

PIN NAME	INPUT/OUTPUT	DESCRIPTION
SDA	Input/Output	I ² C data
SCL	Input	I ² C clock

Slave Address

The PCM5310 has its own 7-bit slave address, as shown in [Table 24](#).

Table 24. Slave Address

MSB							LSB
1	0	0	0	1	1	0	R/ \overline{W}

Packet Protocol

The master device must control packet protocol, which consists of a start condition, a slave address with read/write (R/ \overline{W}) bit, data (if write) or acknowledgement (if read), and a stop condition, as shown in [Figure 45](#). The PCM5310 supports only a slave receiver and slave transmitter. [Table 25](#) shows a basic I²C write operation. [Table 26](#) shows a basic I²C read operation.

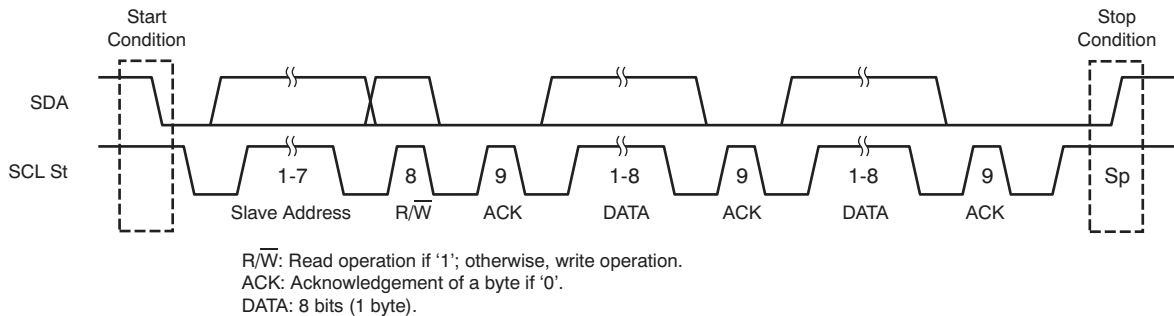


Figure 45. Basic I²C Framework

Table 25. Basic I²C Write Operation

TRANSMITTER	M	M	M	S	M	S	M	S	M
DATA TYPE	St	Slave address	R/ \overline{W}	ACK	DATA	ACK	DATA	ACK	Sp

LEGEND: M = master device, S = slave device, St = START condition, Sp = STOP condition, R/ \overline{W} = read/write, ACK = acknowledge.

Table 26. Basic I²C Read Operation

TRANSMITTER	M	M	M	S	M	S	M	S	M
DATA TYPE	St	Slave address	R/ \overline{W}	ACK	DATA	NACK	DATA	NACK	Sp

LEGEND: M = master device, S = slave device, St = START condition, Sp = STOP condition, R/ \overline{W} = read/write, ACK = acknowledge, NACK = not acknowledge.

Write Operation

The master can write to any PCM5310 register in a single access. The master sends a PCM5310 slave address with a write bit, a register address, and data. When undefined registers are accessed, the PCM5310 does not send any acknowledgement. [Table 27](#) shows the framework for a write operation.

Table 27. Framework for Write Operation

TRANSMITTER	M	M	M	S	M	S	M	S	M
DATA TYPE	St	Slave address	\overline{W}	ACK	Register address	ACK	Write data	ACK	Sp

LEGEND: M = master device, S = slave device, St = start condition, Sp = stop condition, \overline{W} = write, ACK = acknowledge.

Read Operation

The master can read any PCM5310 register. The value of the register address is stored in an indirect index register in advance. The master sends the PCM5310 slave address with a read bit after storing the register address. The PCM5310 then transfers the data to the address specified by the index register. [Table 28](#) shows the framework for a read operation.

Table 28. Framework for Read Operation

TRANSMITTER	M	M	M	S	M	S	M	M	M	S	S	M	M
DATA TYPE	St	Slave address	\overline{W}	ACK	Register address	ACK	Sr	Slave address	R	ACK	Read data	NACK	Sp

LEGEND: M = master device, S = slave device, St = START condition, Sr = repeated START condition, Sp = STOP condition, \overline{W} = write, R = read, ACK = acknowledge, NACK = not acknowledge.

I²C Timing Diagram

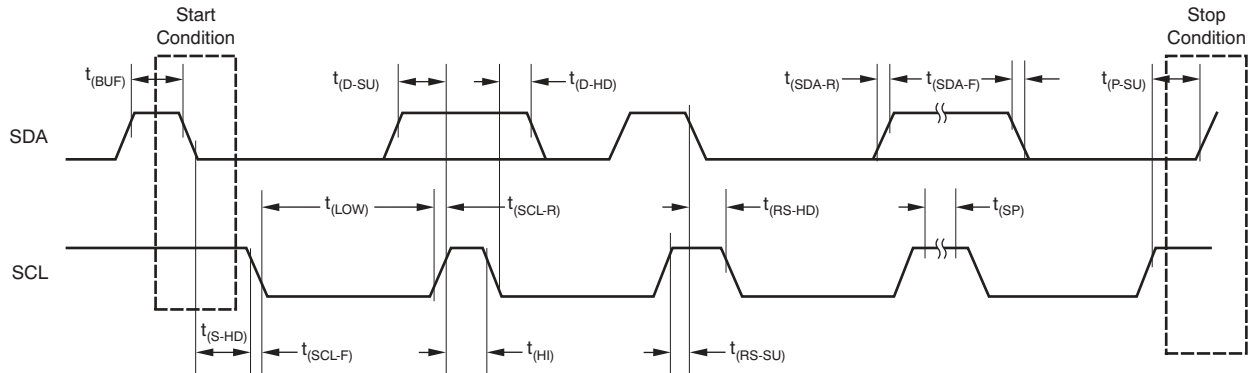


Figure 46. I²C Timing

Table 29. Timing Characteristics for Figure 46

PARAMETER		I ² C SPECIFICATION	MIN	MAX	UNIT
f_{SCL}	SCL clock frequency	Standard		100	kHz
$t_{(BUF)}$	Bus free time between STOP and START condition	Standard	4.7		μ s
$t_{(LOW)}$	SCL clock low period	Standard	4.7		μ s
$t_{(HI)}$	SCL clock high period	Standard	4		μ s
$t_{(RS-SU)}$	START condition setup time	Standard	4.7		μ s
$t_{(S-HD)}$	START condition hold time	Standard	4		μ s
$t_{(D-SU)}$	Data setup time	Standard	250		ns
$t_{(D-HD)}$	Data hold time	Standard	0	900	ns
$t_{(SCL-R)}$	SCL signal rise time	Standard	$20 + 0.1 C_B$	1000	ns
$t_{(SCL-R1)}$	Rise time of SCL signal after a repeated START condition and after an acknowledge bit	Standard	$20 + 0.1 C_B$	1000	ns
$t_{(SCL-F)}$	SCL signal fall time	Standard	$20 + 0.1 C_B$	1000	ns
$t_{(SDA-R)}$	SDA signal rise time	Standard	$20 + 0.1 C_B$	1000	ns
$t_{(SDA-F)}$	SDA signal fall time	Standard	$20 + 0.1 C_B$	1000	ns
$t_{(P-SU)}$	STOP condition setup time	Standard	4		μ s
C_B	Capacitive load for SDA and SCL line			400	pF
$t_{(SP)}$	Suppressed spike pulse duration			25	ns

REGISTER MAP

The mode control register map is shown in [Table 30](#). Each register includes an index (or address) indicated by the IDX[6:0] bits.

Table 30. Mode Control Register Map

REG	HEX	DESCRIPTION	B7	B6	B5	B4	B3	B2	B1	B0
01	01h	Reset function	MRST	SRST	RSV ⁽¹⁾	RSV	RSV	RSV	RSV	RSV
08	08h	GPIO pin output control	RSV	RSV	RSV	RSV	RSV	GPO3	GPO2	GPO1
09	09h	GPIO PORT-1 selection	RSV	RSV	RSV	GSL1[4:0]				
10	0Ah	GPIO PORT-2 selection	RSV	RSV	RSV	GSL2[4:0]				
11	0Bh	GPIO PORT-3 selection	RSV	RSV	RSV	GSL3[4:0]				
12	0Ch	Not assigned	RSV	RSV	RSV	RSV	RSV	RSV	RSV	RSV
13	0Dh	Headphone short-circuit protection enable/disable	RSV	SRCR	SHCR	SPDR	RSV	SRCL	SHCL	SPDL
14	0Eh	Headphone short-circuit protection detect time	RSV	RSV	SDTR[1:0]		RSV	RSV	SDTL[1:0]	
15	0Fh	Headphone short-circuit protection release time, auto control	RSV	SADR	SRTR[1:0]		RSV	SADL	SRTL[1:0]	
16	10h	Headphone short-circuit protection status read	RSV	RSV	RSV	SSHR	RSV	RSV	RSV	SSHL
17	11h	Power up/down (bias)	PBIS	RSV	RSV	RSV	RSV	PDCF[1:0]		PDCS
18	12h	Power up/down (analog), power up/down time	RSV	PABE	PAFE	PCOM	RSV	PDTM[2:0]		
19	13h	Mute control linked to AMUTE pin	MD12	MD34	MHPR	MHPL	ML2R	ML2L	ML1R	ML1L
20	14h	Analog input mux selection for ADC12	RSV	AX1R[2:0]			RSV	AX1L[2:0]		
21	15h	Analog input mux selection for ADC34	RSV	AX2R[2:0]			RSV	AX2L[2:0]		
22	16h	Analog input gain control for ADC12	RSV	RSV	AG1R[1:0]		RSV	RSV	AG1L[1:0]	
23	17h	Analog input gain control for ADC12	RSV	RSV	AG2R[1:0]		RSV	RSV	AG2L[1:0]	
24	18h	Analog output mux selection for line output 1	AL1R[3:0]				AL1L[3:0]			
25	19h	Analog output mux selection for line output 2	AL2R[3:0]				AL2L[3:0]			
26	1Ah	Analog output mux selection for headphone output	AHPR[3:0]				AHPL[3:0]			
27	1Bh	Gain control for line output	GL2R[1:0]		GL2L[1:0]		GL1R[1:0]		GL1L[1:0]	
28	1Ch	2.0 V _{RMS} and 2.4 V _{RMS} selection for line output	RSV	RSV	RSV	G242	RSV	RSV	RSV	G241
29	1Dh	Clock halt detection control	RSV	RSV	RSV	RSV	RSV	RSV	ACTH	CHDE
30	1Eh	Headphone output volume control	HUPE	RSV	HSUR	HSUL	RSV	RSV	RSV	HZRS
31	1Fh	Headphone mute and volume level setting for R-channel	HMUL	HVOL[6:0]						
32	20h	Headphone mute and volume level setting for L-channel	HMUR	HVOR[6:0]						
33	21h	System clock output disable	RSV	RSV	SC6D	SC5D	SC4D	RSV	SC2D	SC1D
34	22h	LRCK and BCK output disable at master mode	RSV	RSV	LB6D	LB5D	LB4D	LB3D	LB2D	LB1D
35	23h	Read internal flag	RSV	RD12FS[2:0]			RHMR	RHML	RSV	RHPI
36	24h	Read internal flag	RSV	RD34FS[2:0]			RDM4	RDM3	RDM2	RDM1
37	25h	Read internal flag	RSV	RA12FS[2:0]			RAM4	RAM3	RAM2	RAM1
38	26h	Read internal flag	RSV	RA34FS[2:0]			RDZ4	RDZ3	RDZ2	RDZ1
39	27h	Read internal flag	CGLD	RSV	RHZR	RHZL	RAZ4	RAZ3	RAZ2	RAZ1
40	28h	Digital attenuation and mute control for DAC12	D12E	RSV	DUC2	DUC1	RSV	RSV	RSV	DZ12
41	29h	Digital gain boost and digital soft mute for DAC12	RSV	RSV	RSV	RSV	DB12[1:0]		DMU2	DMU1
42	2Ah	Digital attenuation level setting for DAC12 L-channel	DAT1[7:0]							
43	2Bh	Digital attenuation level setting for DAC12 R-channel	DAT2[7:0]							
44	2Ch	Master/slave interface format for DAC12	DMS12[3:0]				RSV	RSV	DFM12[1:0]	
45	2Dh	De-emphasis filter control for DAC12	RSV	RSV	RSV	RSV	DM12	RSV	DF12[1:0]	
46	2Eh	Power up/down, oversampling rate control for DAC12	PD12	RSV	OV12[1:0]		ZR12	RSV	RSV	RSV

(1) RSV = reserved (write '0' data).

Table 30. Mode Control Register Map (continued)

REG	HEX	DESCRIPTION	B7	B6	B5	B4	B3	B2	B1	B0
50	32h	Digital attenuation and mute control for DAC34	D34E	RSV	DUC4	DUC3	RSV	RSV	RSV	DZ34
51	33h	Digital gain boost and digital soft mute for DAC34	RSV	RSV	RSV	RSV	DB34[1:0]	DMU4	DMU3	
52	34h	Digital attenuation level setting for DAC34 L-channel	DAT3[7:0]							
53	35h	Digital attenuation level setting for DAC34 R-channel	DAT4[7:0]							
54	36h	Master/slave interface format for DAC34	DMS34[3:0]				RSV	RSV	DFM34[1:0]	
55	37h	De-emphasis filter control for DAC34	RSV	RSV	RSV	RSV	DM34	RSV	DF34[1:0]	
56	38h	Power up/down, oversampling rate control for DAC34	PD34	RSV	OV34[1:0]		ZR34	RSV	RSV	RSV
80	50h	Digital attenuation and mute control for ADC12	A12E	RSV	AUC2	AUC1	RSV	RSV	RSV	AZ12
81	51h	Digital soft mute for ADC12	RSV	FS12	RSV	RSV	RSV	RSV	AMU2	AMU1
82	52h	Digital attenuation level setting for ADC12 L-channel	AAT1[7:0]							
83	53h	Digital attenuation level setting for ADC12 R-channel	AAT2[7:0]							
84	54h	Master/slave interface format for ADC12	AMS12[3:0]				HF12	RSV	AFM12[1:0]	
85	55h	Power up/down for ADC12	PA12	RSV	RSV	RSV	RSV	RSV	RSV	RSV
90	5Ah	Digital attenuation and mute control for ADC34	A34E	RSV	AUC4	AUC3	RSV	RSV	RSV	AZ34
91	5Bh	Digital soft mute for ADC34	RSV	FS34	RSV	RSV	RSV	RSV	AMU4	AMU3
92	5Ch	Digital attenuation level setting for ADC34 L-channel	AAT3[7:0]							
93	5Dh	Digital attenuation level setting for ADC34 R-channel	AAT4[7:0]							
94	5Eh	Master/slave, interface format for ADC34	AMS34[3:0]				HF34	RSV	AFM34[1:0]	
95	5Fh	Power up/down for ADC34	PA34	RSV	RSV	RSV	RSV	RSV	RSV	RSV
101	65h	LRCK/BCK selection of PORT-1 and PORT-2	LBS2[3:0]				LBS1[3:0]			
102	66h	DATA selection of PORT-1 and PORT-2	DTS2[3:0]				DTS1[3:0]			
103	67h	SCK selection of PORT-1 and PORT-2	RSV	SCS2[2:0]			RSV	SCS1[2:0]		
104	68h	LRCK/BCK selection of PORT-3 and PORT-4	LBS4[3:0]				LBS3[3:0]			
105	69h	DATA selection of PORT-3 and PORT-4	DTS4[3:0]				DTS3[3:0]			
106	6Ah	SCK selection of PORT-3 and PORT-4	RSV	SCS4[2:0]			RSV	SCS3[2:0]		
107	6Bh	LRCK/BCK selection of PORT-5 and PORT-6	LBS6[3:0]				LBS5[3:0]			
108	6Ch	DATA selection of PORT-5 and PORT-6	DTS6[3:0]				DTS5[3:0]			
109	6Dh	SCK selection of PORT-5 and PORT-6	RSV	SCS6[2:0]			RSV	SCS5[2:0]		
110	6Eh	LRCK/BCK selection of DAC12 and DAC34	D34LB[3:0]				D12LB[3:0]			
111	6Fh	DATA selection of DAC12 and DAC34	D34DT[3:0]				D12DT[3:0]			
112	70h	SCK selection of DAC12 and DAC34	RSV	D34S[2:0]			RSV	D12S[2:0]		
113	71h	Not assigned	RSV	RSV	RSV	RSV	RSV	RSV	RSV	RSV
114	72h	Not assigned	RSV	RSV	RSV	RSV	RSV	RSV	RSV	RSV
115	73h	Not assigned	RSV	RSV	RSV	RSV	RSV	RSV	RSV	RSV
116	74h	LRCK/BCK selection of ADC12 and ADC34	A34LB[3:0]				A12LB[3:0]			
117	75h	SCK selection of ADC12 and ADC34	RSV	A34SC[2:0]			RSV	A12SC[2:0]		
118	76h	GPIO1 and GPIO2 audio data selection	GP2S[3:0]				GP1S[3:0]			

REGISTER DESCRIPTIONS

Register 01 (01h)

REG	HEX	DESCRIPTION	B7	B6	B5	B4	B3	B2	B1	B0
01	01h	Reset function	MRST	SRST	RSV	RSV	RSV	RSV	RSV	RSV

MRST: Reset of All Registers Except for Other Internal Circuit

This bit enables the reset signal for register data only. All registers are initialized to default data by setting MRST = '0'. After the reset sequence completes, MRST is automatically set to '1'.

Default value: 1

0	Reset (set to '0' automatically after set to '1')
1	Not reset (default)

SRST: Reset of All Internal Circuits Including All Registers

This bit enables the internal system reset. All circuits including the registers are initialized by setting SRST = '0'. After completing the reset sequence, SRST is automatically set to '1'.

Default value: 1

0	Reset (set to '0' automatically after set to '1')
1	Not reset (default)

Register 08 (08h)

REG	HEX	DESCRIPTION	B7	B6	B5	B4	B3	B2	B1	B0
08	08h	GPIO pin output control	RSV	RSV	RSV	RSV	RSV	GPO3	GPO2	GPO1
42	2Ah	Digital attenuation level setting for DAC12 L-channel	DAT1[7:0]							

GPO1: General-Purpose Output (pin 55)

GPO2: General-Purpose Output (pin 56)

GPO3: General-Purpose Output (pin 57)

These three bits control the three GPIO pins that control external devices. These register data are effective by setting '01000', '01001', or '01010' to bits GSL1[4:0], GSL2[4:0] and GSL[4:0] of registers 9 to 11.

Default value: 0

0	Low level output (default)
1	High level output

Registers 09-12 (09h-0Ch)

REG	HEX	DESCRIPTION	B7	B6	B5	B4	B3	B2	B1	B0
09	09h	GPIO PORT-1 selection	RSV	RSV	RSV	GSL1[4:0]				
10	0Ah	GPIO PORT-2 selection	RSV	RSV	RSV	GSL2[4:0]				
11	0Bh	GPIO PORT-3 selection	RSV	RSV	RSV	GSL3[4:0]				
12	0Ch	Not assigned	RSV	RSV	RSV	RSV	RSV	RSV	RSV	RSV

GSL1[4:0]: GPO1 Function Selection (pin 55)**GSL2[4:0]: GPO2 Function Selection (pin 56)****GSL3[4:0]: GPO3 Function Selection (pin 57)**

The three GPIO pins can be used as an input flag, output flag, and logic function, as shown in [Table 31](#).

Default value: 00000

Table 31. GPIO Functions

GSL1-3[4:0]	GSL1[4:0]/GPIO1	GSL2[4:0]/GPIO2	GSL3[4:0]/GPIO3
00000	No assigned and input mode (default)	No assigned and input mode (default)	No assigned and input mode (default)
00001	Headphone insertion detection input	Headphone insertion detection input	Headphone insertion detection input
00010	Headphone insertion detection output	Headphone insertion detection output	Headphone insertion detection output
00011	Headphone short detection status L-channel	Headphone short detection status L-channel	Headphone short detection status L-channel
00100	Headphone short detection status R-channel	Headphone short detection status R-channel	Headphone short detection status R-channel
00101	Zero flag output for digital input (DAC12)	Zero flag output for digital input (DAC12)	Zero flag output for digital input (DAC12)
00110	Zero flag output for digital input (DAC34)	Zero flag output for digital input (DAC34)	Zero flag output for digital input (DAC34)
00111	Zero flag output for digital input (DAC12 and DAC34)	Zero flag output for digital input (DAC12 and DAC34)	Zero flag output for digital input (DAC12 and DAC34)
01000	Output register data to GPIO1 pin	Output register data to GPIO1 pin	Output register data to GPIO1 pin
01001	Output register data to GPIO2 pin	Output register data to GPIO2 pin	Output register data to GPIO2 pin
01010	Output register data to GPIO3 pin	Output register data to GPIO3 pin	Output register data to GPIO3 pin
01011	AND logic (GPIO1 = output, GPIO2,3 = input)	AND logic (GPIO2 = output, GPIO1,3 = input)	AND logic (GPIO2 = output, GPIO1,3 = input)
01100	NAND logic (GPIO1 = output, GPIO2,3 = input)	NAND logic (GPIO2 = output, GPIO1,3 = input)	NAND logic (GPIO2 = output, GPIO1,3 = input)
01101	OR logic (GPIO1 = output, GPIO2,3 = input)	OR logic (GPIO2 = output, GPIO1,3 = input)	OR logic (GPIO2 = output, GPIO1,3 = input)
01110	NOR logic (GPIO1 = output, GPIO2,3 = input)	NOR logic (GPIO2 = output, GPIO1,3 = input)	NOR logic (GPIO2 = output, GPIO1,3 = input)
01111	Buffer logic (GPIO1 = output, GPIO2 = input)	Buffer logic (GPIO2 = output, GPIO1 = input)	Buffer logic (GPIO2 = output, GPIO1 = input)
10000	Buffer logic (GPIO1 = output, GPIO3 = input)	Buffer logic (GPIO2 = output, GPIO3 = input)	Buffer logic (GPIO2 = output, GPIO3 = input)
10001	Inverter logic (GPIO1 = output, GPIO2 = input)	Inverter logic (GPIO2 = output, GPIO1 = input)	Inverter logic (GPIO2 = output, GPIO1 = input)
10010	Inverter logic (GPIO1 = output, GPIO3 = input)	Inverter logic (GPIO2 = output, GPIO3 = input)	Inverter logic (GPIO2 = output, GPIO3 = input)
Others	Reserved	Reserved	Reserved

Registers 13-16 (0Dh-10h)

REG	HEX	DESCRIPTION	B7	B6	B5	B4	B3	B2	B1	B0
13	0Dh	Headphone short-circuit protection enable/disable	RSV	SRCR	SHCR	SPDR	RSV	SRCL	SHCL	SPDL
14	0Eh	Headphone short-circuit protection detect time	RSV	RSV	SDTR[1:0]		RSV	RSV	SDTL[1:0]	
15	0Fh	Headphone short-circuit protection release time, auto control	RSV	SADR	SRTR[1:0]		RSV	SADL	SRTL[1:0]	
16	10h	Headphone short-circuit protection status read	RSV	RSV	RSV	SSHR	RSV	RSV	RSV	SSHL

SRCR: Reset Short-Circuit Protection for Headphone Output R-Channel
SRCL: Reset Short-Circuit Protection for Headphone Output L-Channel

These bits initialize the short-circuit protection for the headphone outputs by setting $SRCR = SRCL = '1'$. After completing the initialization, the data of both registers are automatically set to '1'.

Default value: 1

0	Reset (set to '1' automatically after set to '0')
1	Normal operation (default)

SPDR: Short-Circuit Protection Disable for Headphone Output R-Channel
SPDL: Short-Circuit Protection Disable for Headphone Output L-Channel

These bits disable the short-circuit protection for the headphone outputs.

Default value: 0

0	Enable (default)
1	Disable

SDTR[1:0]: Short-Circuit Protection Detect Time Control for Headphone Output R-Channel
SDTL[1:0]: Short-Circuit Protection Detect Time Control for Headphone Output L-Channel

These bits define the continuous time until a short-circuit is detected on the headphone outputs. If the short-circuit time does not reach the defined time, the PCM5310 does not enable short-circuit protection.

Default value: 11

00	$4096 f_S$, 85.2 ms at $f_S = 48$ kHz
01	$8192 f_S$, 170.4 ms at $f_S = 48$ kHz
10	$16384 f_S$, 340.8 ms at $f_S = 48$ kHz
11	$32768 f_S$, 681.6 ms at $f_S = 48$ kHz (default)

SRTR[1:0]: Short-Circuit Protection Release Time Control for Headphone Output R-Channel
SRTL[1:0]: Short-Circuit Protection Release Time Control for Headphone Output L-Channel

These bits define the time until the short-circuit protection is released after detecting a short-circuit.

Default value: 11

00	$4096 f_S$, 85.2 ms at $f_S = 48$ kHz
01	$8192 f_S$, 170.4 ms at $f_S = 48$ kHz
10	$16384 f_S$, 340.8 ms at $f_S = 48$ kHz
11	$32768 f_S$, 681.6 ms at $f_S = 48$ kHz (default)

SADR: Short-Circuit Protection Automatic Release Disable for Headphone Output R-Channel**SADL: Short-Circuit Protection Automatic Release Disable for Headphone Output L-Channel**

These bits disable the automatic power down when a short-circuit is detected.

Default value: 0

0	Enable (default)
1	Disable

SSHR: Short-Circuit Status Read for Headphone Output R-Channel**SSHL: Short-Circuit Status Read for Headphone Output L-Channel**

These bits are used to read the short-circuit status on the headphone through the I²C interface. If the status is '1', then the headphone output is in short-circuit.

Default value: 0

0	Not shorted (default)
1	Short-circuit

Registers 17 and 18 (11h and 12h)

REG	HEX	DESCRIPTION	B7	B6	B5	B4	B3	B2	B1	B0
17	11h	Power up/down (bias)	PBIS	RSV	RSV	RSV	RSV	PDCF[1:0]		PDCS
18	12h	Power up/down (analog), power up/down time	RSV	PABE	PAFE	PCOM	RSV	PDTM[2:0]		

PBIS: Power Up/Down Control for Analog Bias Circuit

This bit is used to power up/down the analog bias circuit.

Default value: 1

0	Power up
1	Power down (default)

PDCF[1:0]: Power Up/Down Time Control

These bits set the power up/down time for each sampling rate. Set this register when the sampling rate is greater than 48 kHz at power up/down.

Default value: 00

00	x1 (default)
01	x1/2
10	x1/4
11	Reserved

PDCS: Power Up/Down Clock Selection

The PCM5310 has six clock inputs for the four DAC and four ADC channels. The power on/off sequence starts using the DAC12 clock or the DAC34 clock. The appropriate clock source must be selected for the power up/down sequence.

Default value: 0

0	Use the DAC12 clock for power up/down (default)
1	Use the DAC34 clock for power up/down

PAFE: Power Up/Down Control for Input Mux and Gain Amplifier

This bit powers up/down the input mux and the gain amplifier.

Default value: 1

0	Power up
1	Power down (default)

PABE: Power Up/Down Control for Output Mux, Line Amp, and Headphone Amplifier

This bit powers up/down the output mux, the line amplifiers, and the headphone amplifier.

Default value: 1

0	Power up
1	Power down (default)

PCOM: Power Up/Down Control for Common Voltage Circuit

This bit powers up/down the common voltage circuit for the ADC and DAC channels.

Default value: 1

0	Power up
1	Power down (default)

PDTM[2:0]: Power Up/Down Time Control

The power-up time selection for the PCM5310 can be from ground level to common voltage for analog outputs. The power-down time selection can be from the common voltage to ground level for analog outputs at the power on/off sequence. The time described in [Figure 32](#) is defined for a 48-kHz sampling rate. Set bits PDCF[1:0] in Register 17 when the sampling rate is more than 48 kHz at the power up/down sequence.

Default value: 001

PDTM[2:0]	POWER-UP TIME	POWER-DOWN TIME
000	37.5 ms	75 ms
001	75 ms (default)	150 ms
010	150 ms	300 ms
011	300 ms	600 ms
100	1000 ms	2000 ms
101	Reserved	Reserved
110	Reserved	Reserved
111	Reserved	Reserved

Register 19 (13h)

REG	HEX	DESCRIPTION	B7	B6	B5	B4	B3	B2	B1	B0
19	13h	Mute control linked to the AMUTE pin	MD12	MD34	MHPR	MHPL	ML2R	ML2L	ML1R	ML1L

MD12: Mute Enable/Disable Linked to the AMUTE Pin for Digital Input (DAC12)**MD34: Mute Enable/Disable Linked to the AMUTE Pin for Digital Input (DAC34)**

The PCM5310 has a mute control pin (AMUTE, 59 pin). When AMUTE = '1' and MD12 = '1' or MD34 = '1', the digital soft mute of digital input data is enabled. When AMUTE = '0', mute is disabled.

Default value: 0

0	Mute disabled if the AMUTE pin is at a high or low level (default)
1	Mute enabled if the AMUTE pin is at a high level

MHPR: Mute Enable/Disable Linked AMUTE Pin for Headphone Output, R-Channel**MHPL: Mute Enable/Disable Linked AMUTE Pin for Headphone Output, L-Channel**

The PCM5310 has a mute control pin (AMUTE, 59 pin). When AMUTE = '1' and MHPR = '1' or MHPL = '1', the analog mute for headphone outputs HPOL and HPOR is enabled. When AMUTE = '0', mute is disabled.

Default value: 1

0	Mute disabled if the AMUTE pin is at a high or low level
1	Mute enabled if the AMUTE pin is at a high level (default)

ML1R: Mute Enable/Disable Linked AMUTE Pin for Line Output 1, R-Channel**ML1L: Mute Enable/Disable Linked AMUTE Pin for Line Output 1, L-Channel**

The PCM5310 has a mute control pin (AMUTE, 59 pin). When AMUTE = '1' and ML1R = '1' or ML1L = '1', the analog mute for line outputs LO1L and LO1R are enabled. When AMUTE = '0', mute is disabled.

Default value: 1

0	Mute disabled if AMUTE pin is high or low level
1	Mute enabled if AMUTE pin is high level (default)

MML2R: Mute Enable/Disable Linked AMUTE Pin for Line Output 2, R-Channel**MML2L: Mute Enable/Disable Linked AMUTE Pin for Line Output 2, L-Channel**

The PCM5310 has a mute control pin (AMUTE, 59 pin). When AMUTE = '1' and ML2R = '1' or ML2L = '1', the analog mute for line outputs LO2L and LO2R are enabled. When AMUTE = '0', mute is disabled.

Default value: 1

0	Mute disabled if AMUTE pin is high or low level
1	Mute enabled if AMUTE pin is high level (default)

Registers 20 and 21 (14h and 15h)

REG	HEX	DESCRIPTION	B7	B6	B5	B4	B3	B2	B1	B0
20	14h	Analog input mux selection for ADC12	RSV	AX1R[2:0]			RSV	AX1L[2:0]		
21	15h	Analog input mux selection for ADC34	RSV	AX2R[2:0]			RSV	AX2L[2:0]		

AX1R[2:0]: Analog Input Mux Selection for ADC12, R-Channel

AX1L[2:0]: Analog Input Mux Selection for ADC12, L-Channel

AX2R[2:0]: Analog Input Mux Selection for ADC34, R-Channel

AX2L[2:0]: Analog Input Mux Selection for ADC34, L-Channel

The PCM5310 has six stereo inputs that can select one stereo input for each ADC. It is recommended to use the digital soft mute to reduce audible noise when the analog inputs are changed; see [Figure 44](#) for details.

Default value: 000

000	No connection (default)
001	AIN1L or AIN1R
010	AIN2L or AIN2R
011	AIN3L or AIN3R
100	AIN4L or AIN4R
101	AIN5L or AIN5R
110	AIN6L or AIN6R
Others	Reserved

Registers 22 and 23 (16h and 17h)

REG	HEX	DESCRIPTION	B7	B6	B5	B4	B3	B2	B1	B0
22	16h	Analog input gain control for ADC12	RSV	RSV	AG1R[1:0]		RSV	RSV	AG1L[1:0]	
23	17h	Analog input gain control for ADC34	RSV	RSV	AG2R[1:0]		RSV	RSV	AG2L[1:0]	

AG1R[1:0]: Analog Input Gain Control for ADC12, R-Channel

AG1L[1:0]: Analog Input Gain Control for ADC12, L-Channel

AG2R[1:0]: Analog Input Gain Control for ADC34, R-Channel

AG2L[1:0]: Analog Input Gain Control for ADC34, L-Channel

The PCM5310 has analog gain amplifiers in front of each ADC input that can be programmed to between 0 dB to +9 dB in 3-dB steps; refer to [Figure 28](#) for details.

Default value: 00

00	0 dB (default)
01	3 dB
10	6 dB
11	9 dB

Registers 24-26 (18h-1Ah)

REG	HEX	DESCRIPTION	B7	B6	B5	B4	B3	B2	B1	B0
24	18h	Analog output mux selection for line output 1	AL1R[3:0]				AL1L[3:0]			
25	19h	Analog output mux selection for line output 2	AL2R[3:0]				AL2L[3:0]			
26	1Ah	Analog output mux selection for headphone output	AHPR[3:0]				AHPL[3:0]			

AL1R[3:0]: Analog Output Mux Selection for Line Output 1, R-Channel**AL1L[3:0]: Analog Output Mux Selection for Line Output 1, L-Channel****AL2R[3:0]: Analog Output Mux Selection for Line Output 2, R-Channel****AL2L[3:0]: Analog Output Mux Selection for Line Output 2, L-Channel****AHPR[3:0]: Analog Output Mux Selection for Headphone Output, R-Channel****AHPL[3:0]: Analog Output Mux Selection for Headphone Output, L-Channel**

Analog outputs LO1L/LO1R, LO2L/LO2R, and HPOL/HPOR can be selected as one of all the analog inputs and DAC outputs; see [Figure 29](#) for details.

Default value: 0000

0000	No connection (default)
0001	AIN1L or AIN1R
0010	AIN2L or AIN2R
0011	AIN3L or AIN3R
0100	AIN4L or AIN4R
0101	AIN5L or AIN5R
0110	AIN6L or AIN6R
0111	DAC12-L-channel or DAC12-R-channel
1000	DAC34-L-channel or DAC34-R-channel
Others	Reserved

Register 27 (1Bh)

REG	HEX	DESCRIPTION	B7	B6	B5	B4	B3	B2	B1	B0
27	1Bh	Gain control for line output	GL2R[1:0]		GL2L[1:0]		GL1R[1:0]		GL1L[1:0]	

GL2R[1:0]: Gain Control for Line Output 2, R-Channel**GL2L[1:0]: Gain Control for Line Output 2, L-Channel****GL1R[1:0]: Gain Control for Line Output 1, R-Channel****GL1L[1:0]: Gain Control for Line Output 1, L-Channel**

The gain level for line outputs LO1L, LO1R, LO2L, and LO2R can be each be selected as 0 dB, –0.5 dB, or –1.0 dB.

Default value: 00

00	0 dB (default)
01	–0.5 dB
10	–1.0 dB
11	0 dB when selecting analog input to line output

Register 28 (1Ch)

REG	HEX	DESCRIPTION	B7	B6	B5	B4	B3	B2	B1	B0
28	1Ch	2.0 V _{RMS} and 2.4 V _{RMS} selection for line output	RSV	RSV	RSV	G242	RSV	RSV	RSV	G241

G242: 2-V_{RMS} or 2.4-V_{RMS} Output Mode Selection for Line Output 2
G241: 2-V_{RMS} or 2.4-V_{RMS} Output Mode Selection for Line Output 1

The line outputs can drive a 2-V_{RMS} or 2.4-V_{RMS} output with 10 kΩ. The 2.4-V_{RMS} setting is recommend for use when the equipment requires greater than 2-V_{RMS} output.

Default value: 0

0	2 V _{RMS} (default)
1	2.4 V _{RMS}

Register 29 (1Dh)

REG	HEX	DESCRIPTION	B7	B6	B5	B4	B3	B2	B1	B0
29	1Dh	Clock halt detection control	RSV	RSV	RSV	RSV	RSV	RSV	ACTH	CHDE

ACTH: Activate Control for Clock Halt Detection
CHDE: Enable Clock Halt Detection

ACTH is used to control the power up/down for clock halt detection and CHDE is used to enable it. Setting ACTH = CHDE = '1' activates and enables clock halt detection.

Clock halt detection can reduce audible noise. The analog outputs are muted when the clock input to DAC12 and DAC34 is suddenly stopped.

Default value: 0

ACTH = 0	Deactivate clock halt detection (default)
ACTH = 1	Activate clock halt detection

CHDE = 0	Clock halt detection disabled (default)
CHDE = 1	Clock halt detection enabled

Register 30 (1Eh)

REG	HEX	DESCRIPTION	B7	B6	B5	B4	B3	B2	B1	B0
30	1Eh	Headphone output volume control	HUPE	RSV	HSUR	HSUL	RSV	RSV	RSV	HZRS

HUPE: Headphone Volume Update Control Enable**HSUR: Headphone Volume Setting Update for Headphone Output, R-Channel****HSUL: Headphone Volume Setting Update for Headphone Output, L-Channel****HZRS: Headphone Volume Zero Cross Enable**

The volume level of the headphone output can be changed independently to any level by setting HMUL/HMUR and HVOL[6:0]/HVOR[6:0] when HUPE = '0'. When HUPE = '1', the volume level is changed to any level at the same time when HSUR = '1' or HSUL = '1'. Both bits are automatically set to '0' after being set to '1'. HSUR and HSUL must be set to '1' for every volume level setting during HUPE = '1'.

Default value of HUPE and HZRS: 0. Default value of HSUR and HSUL: 0.

HUPE = 0	Headphone volume update control disable (default)
----------	---

HUPE = 1	Headphone volume update control enable
----------	--

HSUR, HSUL = 0	No update volume setting data (default)
----------------	---

HSUR, HSUL = 1	Update volume setting data (set to '0' automatically after setting to '1')
----------------	--

HZRS = 0	Headphone volume zero crossing disable (default)
----------	--

HZRS = 1	Headphone volume zero crossing enable
----------	---------------------------------------

Register 31 and 32 (1Fh and 20h)

REG	HEX	DESCRIPTION	B7	B6	B5	B4	B3	B2	B1	B0
31	1Fh	Headphone mute and volume level setting for R-channel	HMUL	HVOL[6:0]						
32	20h	Headphone mute and volume level setting for L-channel	HMUR	HVOR[6:0]						

HMUL: Headphone Volume Mute Control for L-Channel**HMUR: Headphone Volume Mute Control for R-Channel**

The headphone output can be independently muted to zero level when HMUL and HMUR = '1'. These settings take precedence over volume level settings by HVOL and HVOR. The headphone output may have audible *zipper* noise while changing levels. This noise can be reduced by selecting zero-crossing detection (Register 30, HZRS).

Default value: 0

0	Mute disabled (default)
---	-------------------------

1	Mute enabled
---	--------------

HVOL[6:0]: Headphone Volume Level Control for L-Channel**HVOR[6:0]: Headphone Volume Level Control for R-Channel**

The headphone output can be independently programmed to between 12 dB to –70 dB in 1-dB steps. The headphone output may have audible zipper noise while changing levels. This noise can be reduced by selecting zero-crossing detection (Register 30, HZRS).

Default value: 010 1101

Table 32. Headphone Volume Level Control

HVOL[6:0] HVOR[6:0]		HP VOLUME LEVEL CONTROL	HVOL[6:0] HVOR[6:0]		HP VOLUME LEVEL CONTROL	HVOL[6:0] HVOR[6:0]		HP VOLUME LEVEL CONTROL
111 1111	7F	12 dB	110 0010	62	-17 dB	100 0101	45	-46 dB
111 1110	7E	11 dB	110 0001	61	-18 dB	100 0100	44	-47 dB
111 1101	7D	10 dB	110 0000	60	-19 dB	100 0011	43	-48 dB
111 1100	7C	9 dB	101 1111	5F	-20 dB	100 0010	42	-49 dB
111 1011	7B	8 dB	101 1110	5E	-21 dB	100 0001	41	-50 dB
111 1010	7A	7 dB	101 1101	5D	-22 dB	100 0000	40	-51 dB
111 1001	79	6 dB	101 1100	5C	-23 dB	011 1111	3F	-52 dB
111 1000	78	5 dB	101 1011	5B	-24 dB	011 1110	3E	-53 dB
111 0111	77	4 dB	101 1010	5A	-25 dB	011 1101	3D	-54 dB
111 0110	76	3 dB	101 1001	59	-26 dB	011 1100	3C	-55 dB
111 0101	75	2 dB	101 1000	58	-27 dB	011 1011	3B	-56 dB
111 0100	74	1 dB	101 0111	57	-28 dB	011 1010	3A	-57 dB
111 0011	73	0 dB	101 0110	56	-29 dB	011 1001	39	-58 dB
1110010	72	-1 dB	101 0101	55	-30 dB	011 1000	38	-59 dB
111 0001	71	-2 dB	101 0100	54	-31 dB	011 0111	37	-60 dB
111 0000	70	-3 dB	101 0011	53	-32 dB	011 0110	36	-61 dB
110 1111	6F	-4 dB	101 0010	52	-33 dB	011 0101	35	-62 dB
110 1110	6E	-5 dB	101 0001	51	-34 dB	011 0100	34	-63 dB
110 1101	6D	-6 dB	101 0000	50	-35 dB	011 0011	33	-64 dB
110 1100	6C	-7 dB	100 1111	4F	-36 dB	011 0010	32	-65 dB
110 1011	6B	-8 dB	100 1110	4E	-37 dB	011 0001	31	-66 dB
110 1010	6A	-9 dB	100 1101	4D	-38 dB	011 0000	30	-67 dB
110 1001	69	-10 dB	100 1100	4C	-39 dB	010 1111	2F	-68 dB
110 1000	68	-11 dB	100 1011	4B	-40 dB	010 1110	2E	-69 dB
110 0111	67	-12 dB	100 1010	4A	-41 dB	010 1101	2D	-70 dB (default)
110 0110	66	-13 dB	100 1001	49	-42 dB	010 1100 ⋮ 000 0000	2C ⋮ 00	Mute
110 0101	65	-14 dB	100 1000	48	-43 dB			
110 0100	64	-15 dB	100 0111	47	-44 dB			
110 0011	63	-16 dB	100 0110	46	-45 dB			

Register 33 (21h)

REG	HEX	DESCRIPTION	B7	B6	B5	B4	B3	B2	B1	B0
33	21h	System clock output disable	RSV	RSV	SC6D	SC5D	SC4D	SC3D	SC2D	SC1D

SC6D: SCK6 Output Disable**SC5D: SCK5 Output Disable****SC4D: SCK4 Output Disable****SC3D: SCK3 Output Disable****SC2D: SCK2 Output Disable****SC1D: SCK1 Output Disable**

These bits are used to disable (low-level output) the clock ports (SCK1, SCK2, SCK3, SCK4, SCK5 and SCK6) in output mode. It is necessary to use these bits with Register 103 (SCS2[2:0], SCS1[2:0]), Register 106 (SCS4[2:0], SCS3[2:0]), and Register 109 (SCS6[2:0], SCS5[2:0]). Each clock port is set to input mode at the default setting.

Default value: 1

0	Normal output
1	Disable, low-level output (default)

Register 34 (22h)

REG	HEX	DESCRIPTION	B7	B6	B5	B4	B3	B2	B1	B0
34	22h	LRCK and BCK output disable at master mode	RSV	RSV	LB6D	LB5D	LB4D	LB3D	LB2D	LB1D

LB6D: LRCK6 and BCK6 Output Disable**LB5D: LRCK5 and BCK5 Output Disable****LB4D: LRCK4 and BCK4 Output Disable****LB3D: LRCK3 and BCK3 Output Disable****LB2D: LRCK2 and BCK2 Output Disable****LB1D: LRCK1 and BCK1 Output Disable**

These bits are used to disable (low-level output) the LRCK/BCK ports (LRCK1/BCK1, LRCK2/BCK2, LRCK3/BCK3, LRCK4/BCK4, LRCK5/BCK5 and LRCK6/BCK6) in output mode. It is necessary to use these bits with Register 101 (LBS2[3:0], LBS1[3:0]), Register 104 (LBS4[3:0], LBS3[3:0]), and Register 107 (LBS6[3:0], LBS5[3:0]). Each LRCK/BCK port is set to input mode at the default setting.

Default value: 1

0	Normal output
1	Disable, low-level output (default)

Registers 35-39 (23h-27h)

REG	HEX	DESCRIPTION	B7	B6	B5	B4	B3	B2	B1	B0
35	23h	Read internal flag	RSV	RD12FS[2:0]			RHMR	RHML	RSV	RHPI
36	24h	Read internal flag	RSV	RD34FS[2:0]			RDM4	RDM3	RDM2	RDM1
37	25h	Read internal flag	RSV	RA12FS[2:0]			RAM4	RAM3	RAM2	RAM1
38	26h	Read internal flag	RSV	RA34FS[2:0]			RDZ4	RDZ3	RDZ2	RDZ1
39	27h	Read internal flag	CGLD	RSV	RHZR	RHZL	RAZ4	RAZ3	RAZ2	RAZ1

RD12FS[2:0]: Read System Clock f_S Rate Detection Status for DAC12

RD34FS[2:0]: Read System Clock f_S Rate Detection Status for DAC34

RA12FS[2:0]: Read System Clock f_S Rate Detection Status for ADC12

RA34FS[2:0]: Read System Clock f_S Rate Detection Status for ADC34

The PCM5310 includes automatic clock rate detection, which provides a divided clock to the ADC and DAC channels. The result of the detected clock rate can be read through the I²C port.

Default value: 111

000	Reserved
001	128 f_S (default)
010	192 f_S
011	256 f_S
100	384 f_S
101	512 f_S
110	768 f_S
111	Reserved (default)

RHMR: Read Mute Status for Headphone Output R-Channel

RHML: Read Mute Status for Headphone Output L-Channel

These bits are used to read the mute status of the headphone output. The results can be read through the I²C port.

Default value: 0

0	Mute disabled (default)
1	Mute enabled

RHPI: Read Headphone Insertion Detection Status for Headphone Output

This bit is used to read the headphone output insertion detection status through the I²C port. Headphone insertion is set by Register 09 to Register 11 (GSL1[4:0], GSL2[4:0], GSL3[4:0]) with the GPIO port.

Default value: 0

0	Headphone not inserted (default)
1	Headphone inserted

RDM4: Read Digital Mute Status for DAC34, R-Channel**RDM3: Read Digital Mute Status for DAC34, L-Channel****RDM2: Read Digital Mute Status for DAC12, R-Channel****RDM1: Read Digital Mute Status for DAC12, L-Channel**

These bits are used to read the digital soft mute status for each DAC channel through the I²C port.

Default value: 1

0	Mute disabled
1	Mute enabled (default)

RAM4: Read Digital Mute Status for ADC34, R-Channel**RAM3: Read Digital Mute Status for ADC34, L-Channel****RAM2: Read Digital Mute Status for ADC12, R-Channel****RAM1: Read Digital Mute Status for ADC12, L-Channel**

These bits are used to read the digital soft mute status for each ADC channel through the I²C port.

Default value: 1

0	Mute disabled
1	Mute enabled (default)

RRHZR: Read Volume Zero Cross Time Out Status for Headphone, R-Channel**RHZL: Read Volume Zero Cross Time Out Status for Headphone, L-Channel****RDZ4: Read Digital Attenuation/Mute Zero Cross Timeout Status for DAC34, R-Channel****RDZ3: Read Digital Attenuation/Mute Zero Cross Timeout Status for DAC34, L-Channel****RDZ2: Read Digital Attenuation/Mute Zero Cross Timeout Status for DAC12, R-Channel****RDZ1: Read Digital Attenuation/Mute Zero Cross Timeout Status for DAC12, L-Channel****RAZ4: Read Digital Attenuation/Mute Zero Cross Timeout Status for ADC34, R-Channel****RAZ3: Read Digital Attenuation/Mute Zero Cross Timeout Status for ADC34, L-Channel****RAZ2: Read Digital Attenuation/Mute Zero Cross Timeout Status for ADC12, R-Channel****RAZ1: Read Digital Attenuation/Mute Zero Cross Timeout Status for ADC12, L-Channel**

These bits are used to read the zero-crossing timeout status of digital soft mute and digital attenuation for each ADCs and DACs channel and for headphone output volume through the I²C port.

Default value: 0

0	not timed out (default)
1	Timed out

CGLD: Glitch Reduction Disable when Changing Clock Source

This bit disables the glitch reduction circuit, which reduces audible pop noise when changing the clock input from any SCKx to SCKx.

Default value: 0

0	Enabled (default)
1	Disabled

Registers 40 and 41 (28h and 29h)

REG	HEX	DESCRIPTION	B7	B6	B5	B4	B3	B2	B1	B0
40	28h	Digital attenuation and mute control for DAC12	D12E	RSV	DUC2	DUC1	RSV	RSV	RSV	DZ12
41	29h	Digital gain boost and digital soft mute for DAC12	RSV	RSV	RSV	RSV	DB12[1:0]		DMU2	DMU1

D12E: Digital Attenuation and Mute Update Control Enable for DAC12
DUC2: Digital Attenuation and Mute Setting Update for DAC12, R-Channel
DUC1: Digital Attenuation and Mute Setting Update for DAC12, L-Channel

The digital attenuation and mute levels of DAC12 can be changed independently to any level by setting bits DMU2 and DMU1 of Register 41, bits DAT1[7:0] of Register 42, and bits DAT2[7:0] of Register 43 when D12E = '0'. When D12E = '1', the level is changed to any level at the same time when DUC2 = '1' or DUC1 = '1'. Both bits are automatically set to '0' after being set to '1'. DUC2 and DUC1 must be set to '1' for every volume level setting while HUPE = '1'.

Default value of D12E: 1. Default value of DUC2 and DUC1: 0

D12E = 0	Digital attenuation and mute update control disabled
D12E = 1	Digital attenuation and mute update control enabled (default)

DUC2, DUC1 = 0	No update level (default)
DUC2, DUC1 = 1	Update level (set to '0' automatically after setting to '1')

DZ12: Digital Attenuation and Mute Zero Crossing Enable for DAC12

This bit enables zero-crossing detection, which reduces zipper noise while the DAC digital attenuator and mute settings are being changed. If no zero-crossing data are input for a $512/f_S$ period (10.6 ms at a 48-kHz sampling rate), then a timeout occurs and the PCM5310 volume level changes. Zero-crossing detection cannot be used with continuous zero and dc data.

Default value: 0

0	Disabled (default)
1	Enabled

DB12[1:0]: Digital Gain Boost for DAC12

These bits boost the gain for the digital data input to the DAC12 channels before the digital attenuation.

Default value: 00

00	0dB (default)
01	6 dB
10	12 dB
11	18 dB

DMU2: Digital Mute Control for DAC12, R-Channel
DMU1: Digital Mute Control for DAC12, L-Channel

The PCM5310 can independently mute the DACs digital input data to zero level when DMU2 and DMU1 = '1'. These settings take precedence over the attenuation level settings set by bits DAT1[7:0] and DAT2[7:0] in register 42. The analog outputs may have audible zipper noise while changing levels. This noise can be reduced by selecting zero-crossing detection (Register 40, DZ12).

Default value: 0

0	Mute disabled (default)
1	Mute enabled

Registers 42 and 43 (2Ah and 2Bh)

REG	HEX	DESCRIPTION	B7	B6	B5	B4	B3	B2	B1	B0
42	2Ah	Digital attenuation level setting for DAC12 L-channel	DAT1[7:0]							
43	2Bh	Digital attenuation level setting for DAC12 R-channel	DAT2[7:0]							

DAT1[7:0]: Digital Attenuation Setting for DAC12, L-Channel**DAT2[7:0]: Digital Attenuation Setting for DAC12, R-Channel**

The digital attenuator of DAC12 can be independently set from 0 dB to –100 dB in 0.5-dB steps. The DAC12 output may have audible zipper noise while changing levels. This noise can be reduced by selecting zero crossing detection (Register 40, DZ12).

Default value : 1111 1111

Table 33. Digital Attenuation Level Setting for DAC12

DAT1[7:0] DAT2[7:0]	DIGITAL ATT LEVEL SETTING	DAT1[7:0] DAT2[7:0]	DIGITAL ATT LEVEL SETTING	DAT1[7:0] DAT2[7:0]	DIGITAL ATT LEVEL SETTING	DAT1[7:0] DAT2[7:0]	DIGITAL ATT LEVEL SETTING				
1111 1111	FF	0 dB (default)	1100 1100	CC	–25.5 dB	1001 1001	99	– 51 dB	0110 0110	66	–76.5 dB
1111 1110	FE	–0.5 dB	1100 1011	CB	–26 dB	1001 1000	98	–51.5 dB	0110 0101	65	–77 dB
1111 1101	FD	–1 dB	1100 1010	CA	–26.5 dB	1001 0111	97	–52 dB	0110 0100	64	–77.5 dB
1111 1100	FC	–1.5 dB	1100 1001	C9	–27 dB	1001 0110	96	–52.5 dB	0110 0011	63	–78 dB
1111 1011	FB	–2 dB	1100 1000	C8	–27.5 dB	1001 0101	95	–53 dB	0110 0010	62	–78.8 dB
1111 1010	FA	–2.5 dB	1100 0111	C7	–28 dB	1001 0100	94	–53.5 dB	0110 0001	61	–79 dB
1111 1001	F9	–3 dB	1100 0110	C6	–28.5 dB	1001 0011	93	–54 dB	0110 0000	60	–79.5 dB
1111 1000	F8	–3.5 dB	1100 0101	C5	–29 dB	1001 0010	92	–54.5 dB	0101 1111	5F	–80 dB
1111 0111	F7	–4 dB	1100 0100	C4	–29.5 dB	1001 0001	91	–55 dB	0101 1110	5E	–80.5 dB
1111 0110	F6	–4.5 dB	1100 0011	C3	–30 dB	1001 0000	90	–55.5 dB	0101 1101	5D	–81 dB
1111 0101	F5	–5 dB	1100 0010	C2	–30.5 dB	1000 1111	8F	–56 dB	0101 1100	5C	–81.5 dB
1111 0100	F4	–5.5 dB	1100 0001	C1	–31 dB	1000 1110	8E	–56.5 dB	0101 1011	5B	–82 dB
1111 0011	F3	–6 dB	1100 0000	C0	–31.5 dB	1000 1101	8D	–57 dB	0101 1010	5A	–82.5 dB
1111 0010	F2	–6.5 dB	1011 1111	BF	–32 dB	1000 1100	8C	–57.5 dB	0101 1001	59	–83 dB
1111 0001	F1	–7 dB	1011 1110	BE	–32.5 dB	1000 1011	8B	–58 dB	0101 1000	58	–83.5 dB
1111 0000	F0	–7.5 dB	1011 1101	BD	–33 dB	1000 1010	8A	–58.5 dB	0101 0111	57	–84 dB
1110 1111	EF	–8 dB	1011 1100	BC	–33.5 dB	1000 1001	89	–59 dB	0101 0110	56	–84.5 dB
1110 1110	EE	–8.5 dB	1011 1011	BB	–34 dB	1000 1000	88	–59.5 dB	0101 0101	55	–85 dB
1110 1101	ED	–9 dB	1011 1010	BA	–34.5 dB	1000 0111	87	–60 dB	0101 0100	54	–85.5 dB
1110 1100	EC	–9.5 dB	1011 1001	B9	–35 dB	1000 0110	86	–60.5 dB	0101 0011	53	–86 dB
1110 1011	EB	–10 dB	1011 1000	B8	–35.5 dB	1000 0101	85	–61 dB	0101 0010	52	–86.5 dB
1110 1010	EA	–10.5 dB	1011 0111	B7	–36 dB	1000 0100	84	–61.5 dB	0101 0001	51	–87 dB
1110 1001	E9	–11 dB	1011 0110	B6	–36.5 dB	1000 0011	83	–62 dB	0101 0000	50	–87.5 dB
1110 1000	E8	–11.5 dB	1011 0101	B5	–37 dB	1000 0010	82	–62.5 dB	0100 1111	4F	–88 dB
1110 0111	E7	–12 dB	1011 0100	B4	–37.5 dB	1000 0001	81	–63 dB	0100 1110	4E	–88.5 dB
1110 0110	E6	–12.5 dB	1011 0011	B3	–38 dB	1000 0000	80	–63.5 dB	0100 1101	4D	–89 dB
1110 0101	E5	–13 dB	1011 0010	B2	–38.5 dB	0111 1111	7F	–64 dB	0100 1100	4C	–89.5 dB
1110 0100	E4	–13.5 dB	1011 0001	B1	–39 dB	0111 1110	7E	–64.5 dB	0100 1011	4B	–90 dB
1110 0011	E3	–14 dB	1011 0000	B0	–39.5 dB	0111 1101	7D	–65 dB	0100 1010	4A	–90.5 dB
1110 0010	E2	–14.5 dB	1010 1111	AF	–40 dB	0111 1100	7C	–65.5 dB	0100 1001	49	–91 dB
1110 0001	E1	–15 dB	1010 1110	AE	–40.5 dB	0111 1011	7B	–66 dB	0100 1000	48	–91.5 dB
1110 0000	E0	–15.5 dB	1010 1101	AD	–41 dB	0111 1010	7A	–66.5 dB	0100 0111	47	–92 dB
1101 1111	DF	–16 dB	1010 1100	AC	–41.5 dB	0111 1001	79	–67 dB	0100 0110	46	–92.5 dB
1101 1110	DE	–16.5 dB	1010 1011	AB	–42 dB	0111 1000	78	–67.5 dB	0100 0101	45	–93 dB

Table 33. Digital Attenuation Level Setting for DAC12 (continued)

DAT1[7:0] DAT2[7:0]		DIGITAL ATT LEVEL SETTING	DAT1[7:0] DAT2[7:0]		DIGITAL ATT LEVEL SETTING	DAT1[7:0] DAT2[7:0]		DIGITAL ATT LEVEL SETTING	DAT1[7:0] DAT2[7:0]		DIGITAL ATT LEVEL SETTING
1101 1101	DD	-17 dB	1010 1010	AA	-42.5 dB	0111 0111	77	-68 dB	0100 0100	44	-93.5 dB
1101 1100	DC	-17.5 dB	1010 1001	A9	-43 dB	0111 0110	76	-68.5 dB	0100 0011	43	-94 dB
1101 1011	DB	-18 dB	1010 1000	A8	-43.5 dB	0111 0101	75	-69 dB	0100 0010	42	-94.5 dB
1101 1010	DA	-18.5 dB	1010 0111	A7	-44 dB	0111 0100	74	-69.5 dB	0100 0001	41	-95 dB
1101 1001	D9	-19 dB	1010 0110	A6	-44.5 dB	0111 0011	73	-70 dB	0100 0000	40	-95.5 dB
1101 1000	D8	-19.5 dB	1010 0101	A5	-45 dB	0111 0010	72	-70.5 dB	0011 1111	3F	-96 dB
1101 0111	D7	-20 dB	1010 0100	A4	-45.5 dB	0111 0001	71	-71 dB	0011 1110	3E	-96.5 dB
1101 0110	D6	-20.5 dB	1010 0011	A3	-46 dB	0111 0000	70	-71.5 dB	0011 1101	3D	-97 dB
1101 0101	D5	-21 dB	1010 0010	A2	-46.5 dB	0110 1111	6F	-72 dB	0011 1100	3C	-97.5 dB
1101 0100	D4	-21.5 dB	1010 0001	A1	-47 dB	0110 1110	6E	-72.5 dB	0011 1011	3B	-98 dB
1101 0011	D3	-22 dB	1010 0000	A0	-47.5 dB	0110 1101	6D	-73 dB	0011 1010	3A	-98.5 dB
1101 0010	D2	-22.5 dB	1001 1111	9F	-48 dB	0110 1100	6C	-73.5 dB	0011 1001	39	-99 dB
1101 0001	D1	-23 dB	1001 1110	9E	-48.5 dB	0110 1011	6B	-74 dB	0011 1000	38	-99.5 dB
1101 0000	D0	-23.5 dB	1001 1101	9D	-49 dB	0110 1010	6A	-74.5 dB	0011 0111	37	-100 dB
1100 1111	CF	-24 dB	1001 1100	9C	-49.5 dB	0110 1001	69	-75 dB	0011 0110	36	Mute
1100 1110	CE	-24.5 dB	1001 1011	9B	-50 dB	0110 1000	68	-75.5 dB	⋮	⋮	
1100 1101	CD	-25 dB	1001 1010	9A	-50.5 dB	0110 0111	67	-76 dB	0000 0000	00	

Registers 44 and 45 (2Ch and 2Dh)

REG	HEX	DESCRIPTION	B7	B6	B5	B4	B3	B2	B1	B0
44	2Ch	Master/slave interface format for DAC12	DMS12[3:0]				RSV	RSV	DFM12[1:0]	
45	2Dh	De-emphasis filter control for DAC12	RSV	RSV	RSV	RSV	DM12	RSV	DF12[1:0]	

DMS12[3:0]: Master/Slave Audio Interface Setting for DAC12

These bits set the master or slave mode. DAC12 receives LRCK and BCK from PORT-1, PORT-2, PORT-3, PORT-4, PORT-5 or PORT-6 in slave mode, and generates LRCK and BCK from SCK in master mode.

Default value: 1000

DMS12[3:0]	MASTER/SLAVE AUDIO INTERFACE SETTING FOR DAC12	DMS12[3:0]	MASTER/SLAVE AUDIO INTERFACE SETTING FOR DAC12
0000	Reserved	1000	Slave and system clock f_S auto-detect mode (default)
0001	Master and system clock $768 f_S$	1001	Slave and system clock $768 f_S$
0010	Master and system clock $512 f_S$	1010	Slave and system clock $512 f_S$
0011	Master and system clock $384 f_S$	1011	Slave and system clock $384 f_S$
0100	Master and system clock $256 f_S$	1100	Slave and system clock $256 f_S$
0101	Master and system clock $192 f_S$	1101	Slave and system clock $192 f_S$
0110	Master and system clock $128 f_S$	1110	Slave and system clock $128 f_S$
0111	Reserved	1111	Reserved

DFM12[1:0]: Audio Interface Format for DAC12

These bits select the DAC12 audio data format as I²S, right-justified, or left-justified.

Default value: 00

00	16 to 24 bits, I ² S (default)
01	16 to 24 bits, left-justified
10	24 bits, right-justified
11	16 bits, right-justified

DM12: De-Emphasis Filter Enable for DAC12

This bit enables the DAC12 de-emphasis filter. The frequency can be selected by setting bits DF12[1:0] of Register 45.

Default value: 0

0	Disable (default)
1	Enable

DF12[1:0]: De-Emphasis Filter Sampling Rate Selection for DAC12

A digital de-emphasis filter is in front of the interpolation filter. One of three de-emphasis filters can be selected corresponding to the sampling rate: 32 kHz, 44.1 kHz, or 48 kHz.

Default value: 00

00	44.1 kHz (default)
01	48 kHz
10	32 kHz
11	Reserved

Register 46 (2Eh)

REG	HEX	DESCRIPTION	B7	B6	B5	B4	B3	B2	B1	B0
46	2Eh	Power up/down, oversampling rate control for DAC12	PD12	RSV	OV12[1:0]		ZR12	RSV	RSV	RSV

PD12: Power Up/Down Control for DAC12

This bit controls the power up/down for DAC12, including the interpolation filter.

Default value: 1

0	Power up
1	Power down (default)

OV12[1:0]: Oversampling Rate Control for DAC12

These bits are used to control the oversampling rate of the DAC12 delta-sigma modulator.

Default value: 01

OV12	SYSTEM CLOCK RATE		
	128 f _S , 192 f _S	256 f _S , 384 f _S	128 f _S , 192 f _S
00	16 f _S	32 f _S	64 f _S
01 (default)	32 f _S	64 f _S	128 f _S
10	—	—	—
11	32 f _S	128 f _S ⁽¹⁾	128 f _S ⁽¹⁾

(1) Less than f_S = 48 kHz

ZR12: Zero Flag Reverse

This bit reverses the polarity of the zero flag output. The zero flag goes from low to high after the digital input data are continuously zero during $1024 f_s$ when ZR12 = '0'. The zero flag can output from the GPIO pins by setting Registers 9 to 11 (GSL1[4:0], GSL2[4:0], GSL3[4:0]).

Default value: 0

0	Buffered output (default)
1	Inverted output

Registers 50 and 51 (32h and 33h)

REG	HEX	DESCRIPTION	B7	B6	B5	B4	B3	B2	B1	B0
50	32h	Digital attenuation and mute control for DAC34	D34E	RSV	DUC4	DUC3	RSV	RSV	RSV	DZ34
51	33h	Digital gain boost and digital soft mute for DAC34	RSV	RSV	RSV	RSV	DB34[1:0]	DMU4	DMU3	

D34E: Digital Attenuation and Mute Update Control Enable for DAC34

DUC4: Digital Attenuation and Mute Setting Update for DAC34, R-Channel

DUC3: Digital Attenuation and Mute Setting Update for DAC34, L-Channel

The digital attenuation and mute levels of DAC34 can be changed independently to any level by setting bits DMU4 and DMU3 in Register 51, bits DAT3[7:0] in Register 52, and bits DAT4[7:0] in Register 53 when D34E = '0'. When D34E = '1', the level is changed to any level at the same time when DUC4 = '1' or DUC3 = '1'. Both bits are automatically set to '0' after they are set to '1'. DUC4 and DUC3 must be set to '1' for every volume level setting while D34E = '1'.

Default value of D34E: 1. Default value of DUC4 and DUC3: 0

D34E = 0	Digital attenuation and mute update control disabled
D34E = 1	Digital attenuation and mute update control enabled (default)

DUC4, DUC3 = 0	No update level (default)
DUC4, DUC3 = 1	Update level (set to '0' automatically after setting to '1')

DZ34: Digital Attenuation and Mute Zero Cross Enable for DAC34

This bit enables zero-crossing detection, which reduces zipper noise while the DAC digital attenuator and mute settings are being changed. If no zero-crossing data are input for a $512/f_s$ period (10.6 ms at a 48-kHz sampling rate), then a timeout occurs and the PCM5310 volume level changes. Zero-crossing detection cannot be used with continuous zero and dc data.

Default value: 0

0	Disable (default)
1	Enable

DB34[1:0]: Digital Gain Boost for DAC34

These bits are used to boost the gain of digital data input to the DACs in front of the digital attenuator.

Default value: 00

00	0 dB (default)
01	6 dB
10	12 dB
11	18 dB

DMU4: Digital Mute Control for DAC34, R-Channel**DMU3: Digital Mute Control for DAC34, L-Channel**

The PCM5310 can independently mute the DAC digital input data to a zero level when DMU4 and DMU3 = '1'. These settings take precedence over the attenuation level settings of bits DAT3[7:0] and DAT4[7:0] in registers 52 and 53. The analog outputs may have audible zipper noise while changing levels. This noise can be reduced by selecting zero-crossing detection (Register 50, DZ34).

Default value: 0

0	Mute disabled (default)
1	Mute enabled

Registers 52 and 53 (34h and 35h)

REG	HEX	DESCRIPTION	B7	B6	B5	B4	B3	B2	B1	B0
52	34h	Digital attenuation level setting for DAC34 L-channel	DAT3[7:0]							
53	35h	Digital attenuation level setting for DAC34 R-channel	DAT4[7:0]							

DAT3[7:0]: Digital Attenuation Setting for DAC34, L-Channel**DAT4[7:0]: Digital Attenuation Setting for DAC34, R-Channel**

The digital attenuator of DAC34 can be independently set from 0 dB to –100 dB in 0.5-dB steps. The DAC34 output may have audible zipper noise while changing levels. This noise can be reduced by selecting zero crossing detection (Register 50, DZ34).

Default value : 1111 1111

Table 34. Digital Attenuation Level Setting for DAC34

DAT3[7:0] DAT4[7:0]	DIGITAL ATT LEVEL SETTING	DAT3[7:0] DAT4[7:0]	DIGITAL ATT LEVEL SETTING	DAT3[7:0] DAT4[7:0]	DIGITAL ATT LEVEL SETTING	DAT3[7:0] DAT4[7:0]	DIGITAL ATT LEVEL SETTING				
1111 1111	FF	0 dB (default)	1100 1100	CC	–25.5 dB	1001 1001	99	–51 dB	0110 0110	66	–76.5 dB
1111 1110	FE	–0.5 dB	1100 1011	CB	–26 dB	1001 1000	98	–51.5 dB	0110 0101	65	–77 dB
1111 1101	FD	–1 dB	1100 1010	CA	–26.5 dB	1001 0111	97	–52 dB	0110 0100	64	–77.5 dB
1111 1100	FC	–1.5 dB	1100 1001	C9	–27 dB	1001 0110	96	–52.5 dB	0110 0011	63	–78 dB
1111 1011	FB	–2 dB	1100 1000	C8	–27.5 dB	1001 0101	95	–53 dB	0110 0010	62	–78.8 dB
1111 1010	FA	–2.5 dB	1100 0111	C7	–28 dB	1001 0100	94	–53.5 dB	0110 0001	61	–79 dB
1111 1001	F9	–3 dB	1100 0110	C6	–28.5 dB	1001 0011	93	–54 dB	0110 0000	60	–79.5 dB
1111 1000	F8	–3.5 dB	1100 0101	C5	–29 dB	1001 0010	92	–54.5 dB	0101 1111	5F	–80 dB
1111 0111	F7	–4 dB	1100 0100	C4	–29.5 dB	1001 0001	91	–55 dB	0101 1110	5E	–80.5 dB
1111 0110	F6	–4.5 dB	1100 0011	C3	–30 dB	1001 0000	90	–55.5 dB	0101 1101	5D	–81 dB
1111 0101	F5	–5 dB	1100 0010	C2	–30.5 dB	1000 1111	8F	–56 dB	0101 1100	5C	–81.5 dB
1111 0100	F4	–5.5 dB	1100 0001	C1	–31 dB	1000 1110	8E	–56.5 dB	0101 1011	5B	–82 dB
1111 0011	F3	–6 dB	1100 0000	C0	–31.5 dB	1000 1101	8D	–57 dB	0101 1010	5A	–82.5 dB
1111 0010	F2	–6.5 dB	1011 1111	BF	–32 dB	1000 1100	8C	–57.5 dB	0101 1001	59	–83 dB
1111 0001	F1	–7 dB	1011 1110	BE	–32.5 dB	1000 1011	8B	–58 dB	0101 1000	58	–83.5 dB
1111 0000	F0	–7.5 dB	1011 1101	BD	–33 dB	1000 1010	8A	–58.5 dB	0101 0111	57	–84 dB
1110 1111	EF	–8 dB	1011 1100	BC	–33.5 dB	1000 1001	89	–59 dB	0101 0110	56	–84.5 dB
1110 1110	EE	–8.5 dB	1011 1011	BB	–34 dB	1000 1000	88	–59.5 dB	0101 0101	55	–85 dB
1110 1101	ED	–9 dB	1011 1010	BA	–34.5 dB	1000 0111	87	–60 dB	0101 0100	54	–85.5 dB
1110 1100	EC	–9.5 dB	1011 1001	B9	–35 dB	1000 0110	86	–60.5 dB	0101 0011	53	–86 dB
1110 1011	EB	–10 dB	1011 1000	B8	–35.5 dB	1000 0101	85	–61 dB	0101 0010	52	–86.5 dB
1110 1010	EA	–10.5 dB	1011 0111	B7	–36 dB	1000 0100	84	–61.5 dB	0101 0001	51	–87 dB
1110 1001	E9	–11 dB	1011 0110	B6	–36.5 dB	1000 0011	83	–62 dB	0101 0000	50	–87.5 dB

Table 34. Digital Attenuation Level Setting for DAC34 (continued)

DAT3[7:0] DAT4[7:0]		DIGITAL ATT LEVEL SETTING	DAT3[7:0] DAT4[7:0]		DIGITAL ATT LEVEL SETTING	DAT3[7:0] DAT4[7:0]		DIGITAL ATT LEVEL SETTING	DAT3[7:0] DAT4[7:0]		DIGITAL ATT LEVEL SETTING
1110 1000	E8	-11.5 dB	1011 0101	B5	-37 dB	1000 0010	82	-62.5 dB	0100 1111	4F	-88 dB
1110 0111	E7	-12 dB	1011 0100	B4	-37.5 dB	1000 0001	81	-63 dB	0100 1110	4E	-88.5 dB
1110 0110	E6	-12.5 dB	1011 0011	B3	-38 dB	1000 0000	80	-63.5 dB	0100 1101	4D	-89 dB
1110 0101	E5	-13 dB	1011 0010	B2	-38.5 dB	0111 1111	7F	-64 dB	0100 1100	4C	-89.5 dB
1110 0100	E4	-13.5 dB	1011 0001	B1	-39 dB	0111 1110	7E	-64.5 dB	0100 1011	4B	-90 dB
1110 0011	E3	-14 dB	1011 0000	B0	-39.5 dB	0111 1101	7D	-65 dB	0100 1010	4A	-90.5 dB
1110 0010	E2	-14.5 dB	1010 1111	AF	-40 dB	0111 1100	7C	-65.5 dB	0100 1001	49	-91 dB
1110 0001	E1	-15 dB	1010 1110	AE	-40.5 dB	0111 1011	7B	-66 dB	0100 1000	48	-91.5 dB
1110 0000	E0	-15.5 dB	1010 1101	AD	-41 dB	0111 1010	7A	-66.5 dB	0100 0111	47	-92 dB
1101 1111	DF	-16 dB	1010 1100	AC	-41.5 dB	0111 1001	79	-67 dB	0100 0110	46	-92.5 dB
1101 1110	DE	-16.5 dB	1010 1011	AB	-42 dB	0111 1000	78	-67.5 dB	0100 0101	45	-93 dB
1101 1101	DD	-17 dB	1010 1010	AA	-42.5 dB	0111 0111	77	-68 dB	0100 0100	44	-93.5 dB
1101 1100	DC	-17.5 dB	1010 1001	A9	-43 dB	0111 0110	76	-68.5 dB	0100 0011	43	-94 dB
1101 1011	DB	-18 dB	1010 1000	A8	-43.5 dB	0111 0101	75	-69 dB	0100 0010	42	-94.5 dB
1101 1010	DA	-18.5 dB	1010 0111	A7	-44 dB	0111 0100	74	-69.5 dB	0100 0001	41	-95 dB
1101 1001	D9	-19 dB	1010 0110	A6	-44.5 dB	0111 0011	73	-70 dB	0100 0000	40	-95.5 dB
1101 1000	D8	-19.5 dB	1010 0101	A5	-45 dB	0111 0010	72	-70.5 dB	0011 1111	3F	-96 dB
1101 0111	D7	-20 dB	1010 0100	A4	-45.5 dB	0111 0001	71	-71 dB	0011 1110	3E	-96.5 dB
1101 0110	D6	-20.5 dB	1010 0011	A3	-46 dB	0111 0000	70	-71.5 dB	0011 1101	3D	-97 dB
1101 0101	D5	-21 dB	1010 0010	A2	-46.5 dB	0110 1111	6F	-72 dB	0011 1100	3C	-97.5 dB
1101 0100	D4	-21.5 dB	1010 0001	A1	-47 dB	0110 1110	6E	-72.5 dB	0011 1011	3B	-98 dB
1101 0011	D3	-22 dB	1010 0000	A0	-47.5 dB	0110 1101	6D	-73 dB	0011 1010	3A	-98.5 dB
1101 0010	D2	-22.5 dB	1001 1111	9F	-48 dB	0110 1100	6C	-73.5 dB	0011 1001	39	-99 dB
1101 0001	D1	-23 dB	1001 1110	9E	-48.5 dB	0110 1011	6B	-74 dB	0011 1000	38	-99.5 dB
1101 0000	D0	-23.5 dB	1001 1101	9D	-49 dB	0110 1010	6A	-74.5 dB	0011 0111	37	-100 dB
1100 1111	CF	-24 dB	1001 1100	9C	-49.5 dB	0110 1001	69	-75 dB	0011 0110	36	Mute
1100 1110	CE	-24.5 dB	1001 1011	9B	-50 dB	0110 1000	68	-75.5 dB	⋮	⋮	
1100 1101	CD	-25 dB	1001 1010	9A	-50.5 dB	0110 0111	67	-76 dB	0000 0000	00	

Registers 54 and 55 (36h and 37h)

REG	HEX	DESCRIPTION	B7	B6	B5	B4	B3	B2	B1	B0
54	36h	Master/slave interface format for DAC34	DMS34[3:0]				RSV	RSV	DFM34[1:0]	
55	37h	De-emphasis filter control for DAC34	RSV	RSV	RSV	RSV	DM34	RSV	DF34[1:0]	

DMS34[3:0]: Master/Slave Audio Interface Setting for DAC34

These bits set the master or slave mode. DAC34 receives LRCK and BCK from PORT-1, PORT-2, PORT-3, PORT-4, PORT-5 or PORT-6 in slave mode, and generates LRCK and BCK from SCK in master mode.

Default value: 1000

DMS34[3:0]	MASTER/SLAVE AUDIO INTERFACE SETTING FOR DAC34	DMS34[3:0]	MASTER/SLAVE AUDIO INTERFACE SETTING FOR DAC34
0000	Reserved	1000	Slave and system clock f_S auto-detect mode (default)
0001	Master and system clock $768 f_S$	1001	Slave and system clock $768 f_S$
0010	Master and system clock $512 f_S$	1010	Slave and system clock $512 f_S$
0011	Master and system clock $384 f_S$	1011	Slave and system clock $384 f_S$
0100	Master and system clock $256 f_S$	1100	Slave and system clock $256 f_S$
0101	Master and system clock $192 f_S$	1101	Slave and system clock $192 f_S$
0110	Master and system clock $128 f_S$	1110	Slave and system clock $128 f_S$
0111	Reserved	1111	Reserved

DFM34[1:0]: Audio Interface Format for DAC34

These bits select the DAC34 audio data format as I²S, right-justified, or left-justified.

Default value: 00

00	16 to 24 bits, I ² S (default)
01	16 to 24 bits, left-justified
10	24 bits, right-justified
11	16 bits, right-justified

DM34: De-Emphasis Filter Enable for DAC34

This bit enables the DAC34 de-emphasis filter. The frequency can be selected by setting bits DF34[1:0] of Register 55.

Default value: 0

0	Disable (default)
1	Enable

DF34[1:0]: De-Emphasis Filter Sampling Rate Selection for DAC34

A digital de-emphasis filter is in front of the interpolation filter. One of three de-emphasis filters can be selected corresponding to the sampling rate: 32 kHz, 44.1 kHz, or 48 kHz.

Default value: 00

00	44.1 kHz (default)
01	48 kHz
10	32 kHz
11	Reserved

Register 56 (38h)

REG	HEX	DESCRIPTION	B7	B6	B5	B4	B3	B2	B1	B0
56	38h	Power up/down, oversampling rate control for DAC34	PD34	RSV	OV34[1:0]		ZR34	RSV	RSV	RSV

PD34: Power Up/Down Control for DAC34

This bit controls the power up/down for DAC34, including the interpolation filter.

Default value: 1

0	Power up
1	Power down (default)

OV34[1:0]: Oversampling Rate Control for DAC34

These bits control the oversampling rate of the DAC34 delta-sigma modulator.

Default value: 01

OV34	SYSTEM CLOCK RATE		
	128 f _S , 192 f _S	256 f _S , 384 f _S	128 f _S , 192 f _S
00	16 f _S	32 f _S	64 f _S
01 (default)	32 f _S	64 f _S	128 f _S
10	—	—	—
11	32 f _S	128 f _S ⁽¹⁾	128 f _S ⁽¹⁾

(1) Less than f_S = 48 kHz

ZR34: Zero Flag Reverse

This bit reverses the polarity of the zero flag output. The zero flag is high after input data are zero during 1024 f_S when ZR34 = '0', and is set with the GPIO port by bits GSL1[4:0], GSL2[4:0], GSL3[4:0] in registers 09 to 11.

Default value: 0

0	Buffered output (default)
1	Inverted output

Registers 80 and 81 (50h and 51h)

REG	HEX	DESCRIPTION	B7	B6	B5	B4	B3	B2	B1	B0
80	50h	Digital attenuation and mute control for ADC12	A12E	RSV	AUC2	AUC1	RSV	RSV	RSV	AZ12
81	51h	Digital soft mute for ADC12	RSV	FS12	RSV	RSV	RSV	RSV	AMU2	AMU1

A12E: Digital Attenuation and Mute Update Control Enable for ADC12

AUC2: Digital Attenuation and Mute Setting Update for ADC12, R-Channel

AUC1: Digital Attenuation and Mute Setting Update for ADC12, L-Channel

The digital attenuation and mute levels of ADC12 can be changed independently to any level by setting bits AMU2 and AMU1 in Register 81, bits AAT1[7:0] in Register 82, and bits AAT2[7:0] in Register 83 when A12E = '0'. When A12E = '1', the level is changed to any level at the same time when AUC2 = '1' or AUC1 = '1'. Both bits are automatically set to '0' after they are set to '1'. AUC2 and AUC1 must be set to '1' for every volume level setting while A12E = '1'.

Default value of A12E: 1. Default value of AUC2 and AUC1: 0

A12E = 0	Digital attenuation and mute update control disabled
A12E = 1	Digital attenuation and mute update control enabled (default)

AUC2, AUC1 = 0	No update level (default)
AUC2, AUC1 = 1	Update level (set to '1' automatically after setting to '0')

AZ12: Digital Attenuation and Mute Zero Crossing Enable for ADC12

This bit enables zero-crossing detection, which reduces zipper noise while the ADC digital attenuator and mute settings are being changed. If no zero-crossing data are input for a $512/f_S$ period (10.6 ms at a 48-kHz sampling rate), then a timeout occurs and the PCM5310 volume level changes. Zero-crossing detection cannot be used with continuous zero and dc data.

Default value: 0

0	Disable (default)
1	Enable

FS12: Sampling Rate Selection for ADC12

This bit is used to select the ADS12 sampling rate. FS12 must be set to '1' when the sampling rate is greater than 48 kHz.

Default value: 0

0	$f_S \leq 48$ kHz (default)
1	$f_S > 48$ kHz

AMU2: Digital Mute Control for ADC12, R-Channel

AMU1: Digital Mute Control for ADC12, L-Channel

The PCM5310 can independently mute the DAC digital input data to a zero level when AMU2 and AMU1 = '1'. These settings take precedence over the attenuation level settings of bits AAT1[7:0] and AAT2[7:0] in registers 82 and 83. The analog outputs may have audible zipper noise while changing levels. This noise can be reduced by selecting zero-crossing detection (Register 80, AZ12).

Default value: 0

0	Mute disabled (default)
1	Mute enabled

Registers 82 and 83 (52h and 53h)

REG	HEX	DESCRIPTION	B7	B6	B5	B4	B3	B2	B1	B0
82	52h	Digital attenuation level setting for ADC12 L-channel	AAT1[7:0]							
83	53h	Digital attenuation level setting for ADC12 R-channel	AAT2[7:0]							

AAT1[7:0]: Digital Attenuation Setting for ADC12, L-Channel
AAT2[7:0]: Digital Attenuation Setting for ADC12, R-Channel

The digital attenuator of ADC12 can be independently set from 20 dB to –100 dB in 0.5-dB steps. The ADC12 output may have audible zipper noise while changing levels. This noise can be reduced by selecting zero crossing detection (Register 80, AZ12).

Default value : 1101 0111

Table 35. Digital Attenuation Level Setting for ADC12

AAT1[7:0] AAT2[7:0]		DIGITAL ATT LEVEL SETTING	AAT1[7:0] AAT2[7:0]		DIGITAL ATT LEVEL SETTING	AAT1[7:0] AAT2[7:0]		DIGITAL ATT LEVEL SETTING	AAT1[7:0] AAT2[7:0]		DIGITAL ATT LEVEL SETTING
1111 1111	FF	20 dB	1100 0010	C2	–10.5 dB	1000 0101	85	–41 dB	0100 1000	48	–71.5 dB
1111 1110	FE	19.5 dB	1100 0001	C1	–11 dB	1000 0100	84	–41.5 dB	0100 0111	47	–72 dB
1111 1101	FD	19 dB	1100 0000	C0	–11.5 dB	1000 0011	83	–42 dB	0100 0110	46	–72.5 dB
1111 1100	FC	18.5 dB	1011 1111	BF	–12 dB	1000 0010	82	–42.5 dB	0100 0101	45	–73 dB
1111 1011	FB	18 dB	1011 1110	BE	–12.5 dB	1000 0001	81	–43 dB	0100 0100	44	–73.5 dB
1111 1010	FA	17.5 dB	1011 1101	BD	–13 dB	1000 0000	80	–43.5 dB	0100 0011	43	–74 dB
1111 1001	F9	17 dB	1011 1100	BC	–13.5 dB	0111 1111	7F	–44 dB	0100 0010	42	–74.5 dB
1111 1000	F8	16.5 dB	1011 1011	BB	–14 dB	0111 1110	7E	–44.5 dB	0100 0001	41	–75 dB
1111 0111	F7	16 dB	1011 1010	BA	–14.5 dB	0111 1101	7D	–45 dB	0100 0000	40	–75.5 dB
1111 0110	F6	15.5 dB	1011 1001	B9	–15 dB	0111 1100	7C	–45.5 dB	0011 1111	3F	–76 dB
1111 0101	F5	15 dB	1011 1000	B8	–15.5 dB	0111 1011	7B	–46 dB	0011 1110	3E	–76.5 dB
1111 0100	F4	14.5 dB	1011 0111	B7	–16 dB	0111 1010	7A	–46.5 dB	0011 1101	3D	–77 dB
1111 0011	F3	14 dB	1011 0110	B6	–16.5 dB	0111 1001	79	–47 dB	0011 1100	3C	–77.5 dB
1111 0010	F2	13.5 dB	1011 0101	B5	–17 dB	0111 1000	78	–47.5 dB	0011 1011	3B	–78 dB
1111 0001	F1	13 dB	1011 0100	B4	–17.5 dB	0111 0111	77	–48 dB	0011 1010	3A	–78.8 dB
1111 0000	F0	12.5 dB	1011 0011	B3	–18 dB	0111 0110	76	–48.5 dB	0011 1001	39	–79 dB
1110 1111	EF	12 dB	1011 0010	B2	–18.5 dB	0111 0101	75	–49 dB	0011 1000	38	–79.5 dB
1110 1110	EE	11.5 dB	1011 0001	B1	–19 dB	0111 0100	74	–49.5 dB	0011 0111	37	–80 dB
1110 1101	ED	11 dB	1011 0000	B0	–19.5 dB	0111 0011	73	–50 dB	0011 0110	36	–80.5 dB
1110 1100	EC	10.5 dB	1010 1111	AF	–20 dB	0111 0010	72	–50.5 dB	0011 0101	35	–81 dB
1110 1011	EB	10 dB	1010 1110	AE	–20.5 dB	0111 0001	71	–51 dB	0011 0100	34	–81.5 dB
1110 1010	EA	9.5 dB	1010 1101	AD	–21 dB	0111 0000	70	–51.5 dB	0011 0011	33	–82 dB
1110 1001	E9	9 dB	1010 1100	AC	–21.5 dB	0110 1111	6F	–52 dB	0011 0010	32	–82.5 dB
1110 1000	E8	8.5 dB	1010 1011	AB	–22 dB	0110 1110	6E	–52.5 dB	0011 0001	31	–83 dB
1110 0111	E7	8 dB	1010 1010	AA	–22.5 dB	0110 1101	6D	–53 dB	0011 0000	30	–83.5 dB
1110 0110	E6	7.5 dB	1010 1001	A9	–23 dB	0110 1100	6C	–53.5 dB	0010 1111	2F	–84 dB
1110 0101	E5	7 dB	1010 1000	A8	–23.5 dB	0110 1011	6B	–54 dB	0010 1110	2E	–84.5 dB
1110 0100	E4	6.5 dB	1010 0111	A7	–24 dB	0110 1010	6A	–54.5 dB	0010 1101	2D	–85 dB
1110 0011	E3	6 dB	1010 0110	A6	–24.5 dB	0110 1001	69	–55 dB	0010 1100	2C	–85.5 dB
1110 0010	E2	5.5 dB	1010 0101	A5	–25 dB	0110 1000	68	–55.5 dB	0010 1011	2B	–86 dB
1110 0001	E1	5 dB	1010 0100	A4	–25.5 dB	0110 0111	67	–56 dB	0010 1010	2A	–86.5 dB
1110 0000	E0	4.5 dB	1010 0011	A3	–26 dB	0110 0110	66	–56.5 dB	0010 1001	29	–87 dB
1101 1111	DF	4 dB	1010 0010	A2	–26.5 dB	0110 0101	65	–57 dB	0010 1000	28	–87.5 dB
1101 1110	DE	3.5 dB	1010 0001	A1	–27 dB	0110 0100	64	–57.5 dB	0010 0111	27	–88 dB

Table 35. Digital Attenuation Level Setting for ADC12 (continued)

AAT1[7:0] AAT2[7:0]		DIGITAL ATT LEVEL SETTING	AAT1[7:0] AAT2[7:0]		DIGITAL ATT LEVEL SETTING	AAT1[7:0] AAT2[7:0]		DIGITAL ATT LEVEL SETTING	AAT1[7:0] AAT2[7:0]		DIGITAL ATT LEVEL SETTING
1101 1101	DD	3 dB	1010 0000	A0	–27.5 dB	0110 0011	63	–58 dB	0010 0110	26	–88.5 dB
1101 1100	DC	2.5 dB	1001 1111	9F	–28 dB	0110 0010	62	–58.5 dB	0010 0101	25	–89 dB
1101 1011	DB	2 dB	1001 1110	9E	–28.5 dB	0110 0001	61	–59 dB	0010 0100	24	–89.5 dB
1101 1010	DA	1.5 dB	1001 1101	9D	–29 dB	0110 0000	60	–59.5 dB	0010 0011	23	–90 dB
1101 1001	D9	1 dB	1001 1100	9C	–29.5 dB	0101 1111	5F	–60 dB	0010 0010	22	–90.5 dB
1101 1000	D8	0.5 dB	1001 1011	9B	–30 dB	0101 1110	5E	–60.5 dB	0010 0001	21	–91 dB
1101 0111	D7	0 dB (default)	1001 1010	9A	–30.5 dB	0101 1101	5D	–61 dB	0010 0000	20	–91.5 dB
1101 0110	D6	–0.5 dB	1001 1001	99	–31 dB	0101 1100	5C	–61.5 dB	0001 1111	1F	–92 dB
1101 0101	D5	–1 dB	1001 1000	98	–31.5 dB	0101 1011	5B	–62 dB	0001 1110	1E	–92.5 dB
1101 0100	D4	–1.5 dB	1001 0111	97	–32 dB	0101 1010	5A	–62.5 dB	0001 1101	1D	–93 dB
1101 0011	D3	–2 dB	1001 0110	96	–32.5 dB	0101 1001	59	–63 dB	0001 1100	1C	–93.5 dB
1101 0010	D2	–2.5 dB	1001 0101	95	–33 dB	0101 1000	58	–63.5 dB	0001 1011	1B	–94 dB
1101 0001	D1	–3 dB	1001 0100	94	–33.5 dB	0101 0111	57	–64 dB	0001 1010	1A	–94.5 dB
1101 0000	D0	–3.5 dB	1001 0011	93	–34 dB	0101 0110	56	–64.5 dB	0001 1001	19	–95 dB
1100 1111	CF	–4 dB	1001 0010	92	–34.5 dB	0101 0101	55	–65 dB	0001 1000	18	–95.5 dB
1100 1110	CE	–4.5 dB	1001 0001	91	–35 dB	0101 0100	54	–65.5 dB	0001 0111	17	–96 dB
1100 1101	CD	–5 dB	1001 0000	90	–35.5 dB	0101 0011	53	–66 dB	0001 0110	16	–96.5 dB
1100 1100	CC	–5.5 dB	1000 1111	8F	–36 dB	0101 0010	52	–66.5 dB	0001 0101	15	–97 dB
1100 1011	CB	–6 dB	1000 1110	8E	–36.5 dB	0101 0001	51	–67 dB	0001 0100	14	–97.5 dB
1100 1010	CA	–6.5 dB	1000 1101	8D	–37 dB	0101 0000	50	–67.5 dB	0001 0011	13	–98 dB
1100 1001	C9	–7 dB	1000 1100	8C	–37.5 dB	0100 1111	4F	–68 dB	0001 0010	12	–98.5 dB
1100 1000	C8	–7.5 dB	1000 1011	8B	–38 dB	0100 1110	4E	–68.5 dB	0001 0001	11	–99 dB
1100 0111	C7	–8 dB	1000 1010	8A	–38.5 dB	0100 1101	4D	–69 dB	0001 0000	10	–99.5 dB
1100 0110	C6	–8.5 dB	1000 1001	89	–39 dB	0100 1100	4C	–69.5 dB	0000 1111	0F	–100 dB
1100 0101	C5	–9 dB	1000 1000	88	–39.5 dB	0100 1011	4B	–70 dB	0000 1110	0E	Mute
1100 0100	C4	–9.5 dB	1000 0111	87	–40 dB	0100 1010	4A	–70.5 dB	⋮	⋮	
1100 0011	C3	–10 dB	1000 0110	86	–40.5 dB	0100 1001	49	–71 dB	0000 0000	00	

Register 84 (54h)

REG	HEX	DESCRIPTION	B7	B6	B5	B4	B3	B2	B1	B0
84	54h	Master/slave interface format for ADC12	AMS12[3:0]				HF12	RSV	AFM12[1:0]	

AMS12[3:0]: Master/Slave Audio Interface Setting for ADC12

These bits set the master or slave mode. ADC12 receives LRCK and BCK from PORT-1, PORT-2, PORT-3, PORT-4, PORT-5 or PORT-6 in slave mode, and generates LRCK and BCK from SCK in master mode.

Default value: 1000

AMS12[3:0]	MASTER/SLAVE AUDIO INTERFACE SETTING FOR ADC12	AMS12[3:0]	MASTER/SLAVE AUDIO INTERFACE SETTING FOR ADC12
0000	Reserved	1000	Slave and system clock f_S auto-detect mode (default)
0001	Master and system clock $768 f_S$	1001	Slave and system clock $768 f_S$
0010	Master and system clock $512 f_S$	1010	Slave and system clock $512 f_S$
0011	Master and system clock $384 f_S$	1011	Slave and system clock $384 f_S$
0100	Master and system clock $256 f_S$	1100	Slave and system clock $256 f_S$
0101	Reserved	1101	Reserved
0110	Reserved	1110	Reserved
0111	Reserved	1111	Reserved

HF12: High-Pass Filter Disable for ADC12

This bit disables the digital high-pass filter of ADC12.

Default value: 0

0	($0.019 f_S/1000$) Hz (default)
1	Off

AFM12[1:0]: Audio Interface Format for ADC12

These bits select the ADC12 audio data format as I²S, right-justified, or left-justified.

Default value: 00

00	16 to 24 bits, I ² S (default)
01	16 to 24 bits, left-justified
10	24 bits, right-justified
11	16 bits, right-justified

Register 85 (55h)

REG	HEX	DESCRIPTION	B7	B6	B5	B4	B3	B2	B1	B0
85	55h	Power up/down for ADC12	PA12	RSV	RSV	RSV	RSV	RSV	RSV	RSV

PA12: Power Up/Down Control for ADC12

This bit controls the power up/down for ADC12, including the decimation filter.

Default value: 1

0	Power up
1	Power down (default)

Register 90 (5Ah)

REG	HEX	DESCRIPTION	B7	B6	B5	B4	B3	B2	B1	B0
90	5Ah	Digital attenuation and mute control for ADC34	A34E	RSV	AUC4	AUC3	RSV	RSV	RSV	AZ34

A34E: Digital Attenuation and Mute Update Control Enable for ADC34**AUC4: Digital Attenuation and Mute Setting Update for ADC34, R-Channel****AUC3: Digital Attenuation and Mute Setting Update for ADC34, L-Channel**

The digital attenuation and mute levels of ADC12 can be changed independently to any level by setting bits AMU4 and AMU3 in Register 91, bits AAT3[7:0] in Register 92, and bits AAT4[7:0] in Register 93 when A34E = '0'. When A34E = '1', the level is changed to any level at the same time when AUC4 = '1' or AUC3 = '1'. Both bits are automatically set to '0' after they are to '1'. AUC4 and AUC3 must be set to '1' for every volume level setting while A34E = '1'.

Default value of A34E: 1. Default value of AUC4 and AUC3: 0

A34E = 0	Digital attenuation and mute update control disabled
A34E = 1	Digital attenuation and mute update control enabled (default)

AUC4, AUC3 = 0	No update level (default)
AUC4, AUC3 = 1	Update level (set to '0' automatically after setting to '1')

AZ34: Digital Attenuation and Mute Zero Cross Enable for ADC34

This bit enables zero-crossing detection, which reduces zipper noise while the ADC digital attenuator and mute settings are being changed. If no zero-crossing data are input for a $512/f_s$ period (10.6 ms at a 48-kHz sampling rate), then a timeout occurs and the PCM5310 volume level changes. Zero-crossing detection cannot be used with continuous zero and dc data.

Default value: 0

0	Disable (default)
1	Enable

Register 91 (5Bh)

REG	HEX	DESCRIPTION	B7	B6	B5	B4	B3	B2	B1	B0
91	5Bh	Digital soft mute for ADC34	RSV	FS34	RSV	RSV	RSV	RSV	AMU4	AMU3

FS34: Sampling Rate Selection for ADC34

This bit sets the ADS34 sampling rate. FS34 must be set to '1' when the sampling rate is greater than 48 kHz.

Default value: 0

0	$f_s \leq 48$ kHz (default)
1	$f_s > 48$ kHz

AMU4: Digital Mute Control for ADC34, R-Channel
AMU3: Digital Mute Control for ADC34, L-Channel

The PCM5310 can independently mute the DAC digital input data to a zero level when AMU4 and AMU3 = '1'. These settings take precedence over the attenuation level settings of bits AAT3[7:0] and AAT4[7:0] in registers 92 and 93. The analog outputs may have audible zipper noise while changing levels. This noise can be reduced by selecting zero-crossing detection (Register 90, AZ34).

Default value: 0

0	Mute disabled (default)
1	Mute enabled

Registers 92 and 93 (5Ch and 5Dh)

REG	HEX	DESCRIPTION	B7	B6	B5	B4	B3	B2	B1	B0
92	5Ch	Digital attenuation level setting for ADC34 L-channel	AAT3[7:0]							
93	5Dh	Digital attenuation level setting for ADC34 R-channel	AAT4[7:0]							

AAT3[7:0]: Digital Attenuation Setting for ADC34, L-Channel
AAT4[7:0]: Digital Attenuation Setting for ADC34, R-Channel

The digital attenuator of ADC34 can be independently set from 20 dB to –100 dB in 0.5-dB steps. The ADC34 output may have audible zipper noise while changing levels. This noise can be reduced by selecting zero crossing detection (Register 90, AZ34).

Default value : 1101 0111

Table 36. Digital Attenuation Level Setting for ADC34

AAT1[7:0] AAT2[7:0]	DIGITAL ATT LEVEL SETTING	AAT1[7:0] AAT2[7:0]	DIGITAL ATT LEVEL SETTING	AAT1[7:0] AAT2[7:0]	DIGITAL ATT LEVEL SETTING	AAT1[7:0] AAT2[7:0]	DIGITAL ATT LEVEL SETTING
1111 1111	FF	1100 0010	C2	1000 0101	85	0100 1000	48
1111 1110	FE	1100 0001	C1	1000 0100	84	0100 0111	47
1111 1101	FD	1100 0000	C0	1000 0011	83	0100 0110	46
1111 1100	FC	1011 1111	BF	1000 0010	82	0100 0101	45
1111 1011	FB	1011 1110	BE	1000 0001	81	0100 0100	44
1111 1010	FA	1011 1101	BD	1000 0000	80	0100 0011	43
1111 1001	F9	1011 1100	BC	0111 1111	7F	0100 0010	42
1111 1000	F8	1011 1011	BB	0111 1110	7E	0100 0001	41
1111 0111	F7	1011 1010	BA	0111 1101	7D	0100 0000	40
1111 0110	F6	1011 1001	B9	0111 1100	7C	0011 1111	3F
1111 0101	F5	1011 1000	B8	0111 1011	7B	0011 1110	3E
1111 0100	F4	1011 0111	B7	0111 1010	7A	0011 1101	3D
1111 0011	F3	1011 0110	B6	0111 1001	79	0011 1100	3C

Table 36. Digital Attenuation Level Setting for ADC34 (continued)

AAT1[7:0] AAT2[7:0]		DIGITAL ATT LEVEL SETTING	AAT1[7:0] AAT2[7:0]		DIGITAL ATT LEVEL SETTING	AAT1[7:0] AAT2[7:0]		DIGITAL ATT LEVEL SETTING	AAT1[7:0] AAT2[7:0]		DIGITAL ATT LEVEL SETTING
1111 0010	F2	13.5 dB	1011 0101	B5	-17 dB	0111 1000	78	-47.5 dB	0011 1011	3B	-78 dB
1111 0001	F1	13 dB	1011 0100	B4	-17.5 dB	0111 0111	77	-48 dB	0011 1010	3A	-78.8 dB
1111 0000	F0	12.5 dB	1011 0011	B3	-18 dB	0111 0110	76	-48.5 dB	0011 1001	39	-79 dB
1110 1111	EF	12 dB	1011 0010	B2	-18.5 dB	0111 0101	75	-49 dB	0011 1000	38	-79.5 dB
1110 1110	EE	11.5 dB	1011 0001	B1	-19 dB	0111 0100	74	-49.5 dB	0011 0111	37	-80 dB
1110 1101	ED	11 dB	1011 0000	B0	-19.5 dB	0111 0011	73	-50 dB	0011 0110	36	-80.5 dB
1110 1100	EC	10.5 dB	1010 1111	AF	-20 dB	0111 0010	72	-50.5 dB	0011 0101	35	-81 dB
1110 1011	EB	10 dB	1010 1110	AE	-20.5 dB	0111 0001	71	-51 dB	0011 0100	34	-81.5 dB
1110 1010	EA	9.5 dB	1010 1101	AD	-21 dB	0111 0000	70	-51.5 dB	0011 0011	33	-82 dB
1110 1001	E9	9 dB	1010 1100	AC	-21.5 dB	0110 1111	6F	-52 dB	0011 0010	32	-82.5 dB
1110 1000	E8	8.5 dB	1010 1011	AB	-22 dB	0110 1110	6E	-52.5 dB	0011 0001	31	-83 dB
1110 0111	E7	8 dB	1010 1010	AA	-22.5 dB	0110 1101	6D	-53 dB	0011 0000	30	-83.5 dB
1110 0110	E6	7.5 dB	1010 1001	A9	-23 dB	0110 1100	6C	-53.5 dB	0010 1111	2F	-84 dB
1110 0101	E5	7 dB	1010 1000	A8	-23.5 dB	0110 1011	6B	-54 dB	0010 1110	2E	-84.5 dB
1110 0100	E4	6.5 dB	1010 0111	A7	-24 dB	0110 1010	6A	-54.5 dB	0010 1101	2D	-85 dB
1110 0011	E3	6 dB	1010 0110	A6	-24.5 dB	0110 1001	69	-55 dB	0010 1100	2C	-85.5 dB
1110 0010	E2	5.5 dB	1010 0101	A5	-25 dB	0110 1000	68	-55.5 dB	0010 1011	2B	-86 dB
1110 0001	E1	5 dB	1010 0100	A4	-25.5 dB	0110 0111	67	-56 dB	0010 1010	2A	-86.5 dB
1110 0000	E0	4.5 dB	1010 0011	A3	-26 dB	0110 0110	66	-56.5 dB	0010 1001	29	-87 dB
1101 1111	DF	4 dB	1010 0010	A2	-26.5 dB	0110 0101	65	-57 dB	0010 1000	28	-87.5 dB
1101 1110	DE	3.5 dB	1010 0001	A1	-27 dB	0110 0100	64	-57.5 dB	0010 0111	27	-88 dB
1101 1101	DD	3 dB	1010 0000	A0	-27.5 dB	0110 0011	63	-58 dB	0010 0110	26	-88.5 dB
1101 1100	DC	2.5 dB	1001 1111	9F	-28 dB	0110 0010	62	-58.5 dB	0010 0101	25	-89 dB
1101 1011	DB	2 dB	1001 1110	9E	-28.5 dB	0110 0001	61	-59 dB	0010 0100	24	-89.5 dB
1101 1010	DA	1.5 dB	1001 1101	9D	-29 dB	0110 0000	60	-59.5 dB	0010 0011	23	-90 dB
1101 1001	D9	1 dB	1001 1100	9C	-29.5 dB	0101 1111	5F	-60 dB	0010 0010	22	-90.5 dB
1101 1000	D8	0.5 dB	1001 1011	9B	-30 dB	0101 1110	5E	-60.5 dB	0010 0001	21	-91 dB
1101 0111	D7	0 dB (default)	1001 1010	9A	-30.5 dB	0101 1101	5D	-61 dB	0010 0000	20	-91.5 dB
1101 0110	D6	-0.5 dB	1001 1001	99	-31 dB	0101 1100	5C	-61.5 dB	0001 1111	1F	-92 dB
1101 0101	D5	-1 dB	1001 1000	98	-31.5 dB	0101 1011	5B	-62 dB	0001 1110	1E	-92.5 dB
1101 0100	D4	-1.5 dB	1001 0111	97	-32 dB	0101 1010	5A	-62.5 dB	0001 1101	1D	-93 dB
1101 0011	D3	-2 dB	1001 0110	96	-32.5 dB	0101 1001	59	-63 dB	0001 1100	1C	-93.5 dB
1101 0010	D2	-2.5 dB	1001 0101	95	-33 dB	0101 1000	58	-63.5 dB	0001 1011	1B	-94 dB
1101 0001	D1	-3 dB	1001 0100	94	-33.5 dB	0101 0111	57	-64 dB	0001 1010	1A	-94.5 dB
1101 0000	D0	-3.5 dB	1001 0011	93	-34 dB	0101 0110	56	-64.5 dB	0001 1001	19	-95 dB
1100 1111	CF	-4 dB	1001 0010	92	-34.5 dB	0101 0101	55	-65 dB	0001 1000	18	-95.5 dB
1100 1110	CE	-4.5 dB	1001 0001	91	-35 dB	0101 0100	54	-65.5 dB	0001 0111	17	-96 dB
1100 1101	CD	-5 dB	1001 0000	90	-35.5 dB	0101 0011	53	-66 dB	0001 0110	16	-96.5 dB
1100 1100	CC	-5.5 dB	1000 1111	8F	-36 dB	0101 0010	52	-66.5 dB	0001 0101	15	-97 dB
1100 1011	CB	-6 dB	1000 1110	8E	-36.5 dB	0101 0001	51	-67 dB	0001 0100	14	-97.5 dB
1100 1010	CA	-6.5 dB	1000 1101	8D	-37 dB	0101 0000	50	-67.5 dB	0001 0011	13	-98 dB
1100 1001	C9	-7 dB	1000 1100	8C	-37.5 dB	0100 1111	4F	-68 dB	0001 0010	12	-98.5 dB
1100 1000	C8	-7.5 dB	1000 1011	8B	-38 dB	0100 1110	4E	-68.5 dB	0001 0001	11	-99 dB
1100 0111	C7	-8 dB	1000 1010	8A	-38.5 dB	0100 1101	4D	-69 dB	0001 0000	10	-99.5 dB
1100 0110	C6	-8.5 dB	1000 1001	89	-39 dB	0100 1100	4C	-69.5 dB	0000 1111	0F	-100 dB
1100 0101	C5	-9 dB	1000 1000	88	-39.5 dB	0100 1011	4B	-70 dB	0000 1110	0E	Mute
1100 0100	C4	-9.5 dB	1000 0111	87	-40 dB	0100 1010	4A	-70.5 dB	0000 1100	0D	
1100 0011	C3	-10 dB	1000 0110	86	-40.5 dB	0100 1001	49	-71 dB	0000 0000	00	

Register 94 (5Eh)

REG	HEX	DESCRIPTION	B7	B6	B5	B4	B3	B2	B1	B0
94	5Eh	Master/slave interface format for ADC34	AMS34[3:0]				HF34	RSV	AFM34[1:0]	

AMS34[3:0]: Master/Slave Audio Interface Setting for ADC34

These bits set the master or slave mode. ADC34 receives LRCK and BCK from PORT-1, PORT-2, PORT-3, PORT-4, PORT-5 or PORT-6 in slave mode, and generates LRCK and BCK from SCK in master mode.

Default value: 1000

AMS34[3:0]	MASTER/SLAVE AUDIO INTERFACE SETTING FOR ADC34	AMS34[3:0]	MASTER/SLAVE AUDIO INTERFACE SETTING FOR ADC34
0000	Reserved	1000	Slave and system clock f_S auto-detect mode (default)
0001	Master and system clock $768 f_S$	1001	Slave and system clock $768 f_S$
0010	Master and system clock $512 f_S$	1010	Slave and system clock $512 f_S$
0011	Master and system clock $384 f_S$	1011	Slave and system clock $384 f_S$
0100	Master and system clock $256 f_S$	1100	Slave and system clock $256 f_S$
0101	Reserved	1101	Reserved
0110	Reserved	1110	Reserved
0111	Reserved	1111	Reserved

HF34: High-Pass Filter Disable for ADC34

This bit disables the digital high-pass filter of ADC34.

Default value: 0

0	($0.019 f_S/1000$) Hz (default)
1	Off

AFM34[1:0]: Audio Interface Format for ADC34

These bits select the ADC34 audio data format as I²S, right-justified, or left-justified.

Default value: 00

00	16 to 24 bits, I ² S (default)
01	16 to 24 bits, left-justified
10	24 bits, right-justified
11	16 bits, right-justified

Register 95 (5Fh)

REG	HEX	DESCRIPTION	B7	B6	B5	B4	B3	B2	B1	B0
95	5Fh	Power up/down for ADC34	PA34	RSV	RSV	RSV	RSV	RSV	RSV	RSV

PA34: Power Up/Down Control for ADC34

This bit controls the power up/down for ADC34, including the decimation filter.

Default value: 1

0	Power up
1	Power down (default)

Register 101 (65h)

REG	HEX	DESCRIPTION	B7	B6	B5	B4	B3	B2	B1	B0
101	65h	LRCK/BCK selection of PORT-1 and PORT-2	LBS2[3:0]				LBS1[3:0]			

LBS2[3:0]: LRCK/BCK Selection of PORT-2 (MUX_P2BL)

These bits are used for routing LRCK and BCK of PORT-2. Any combination of LRCK1/BCK1 to LRCK6/BCK6 and LRCK/BCK of ADCs/DACs in master mode can be connected to PORT-2. Figure 47 shows a detailed diagram of PORT-2.

Default value: 0001

0000	Output LRCK1 and BCK1
0001	Input LRCK2 and BCK2 (default)
0010	Output LRCK3 and BCK3
0011	Output LRCK4 and BCK4
0100	Output LRCK5 and BCK5
0101	Output LRCK6 and BCK6
0110	Output LRCK and BCK from DAC12 in master mode
0111	Output LRCK and BCK from DAC34 in master mode
1000	Output LRCK and BCK from ADC12 in master mode
1001	Output LRCK and BCK from ADC34 in master mode
Others	Reserved

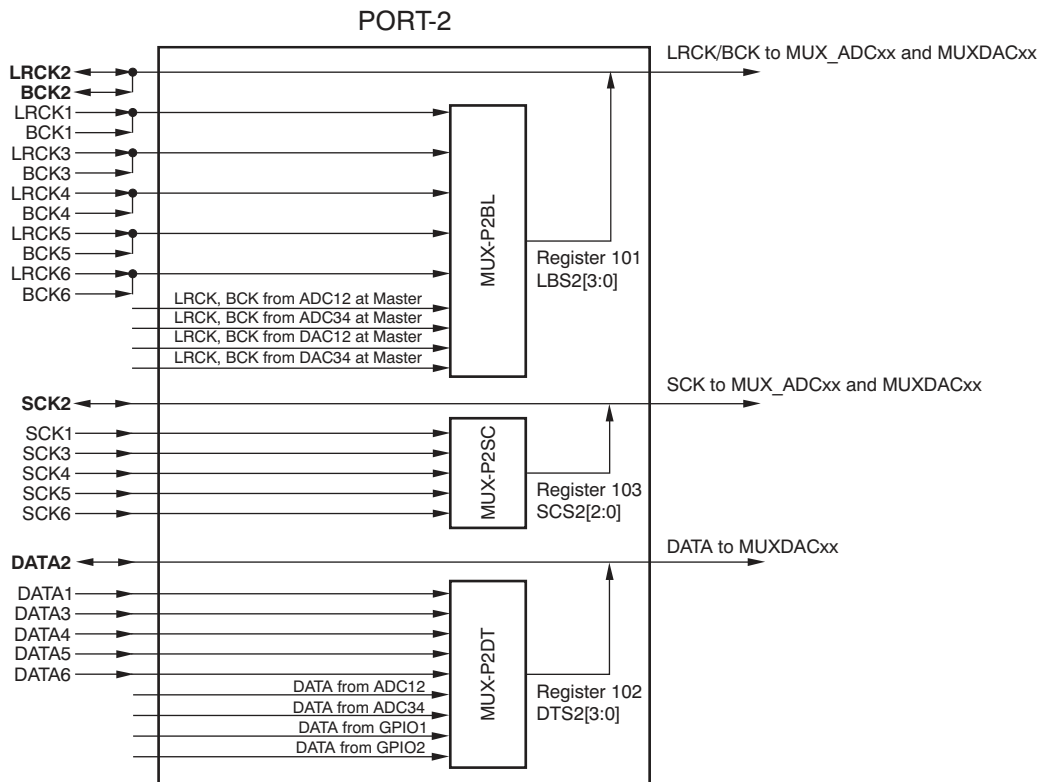


Figure 47. Detailed Diagram of PORT-2

LBS1[3:0]: LRCK/BCK Selection of PORT-1 (MUX_P2BL)

These bits are used for routing LRCK and BCK of PORT-1. Any combination of LRCK1/BCK1 to LRCK6/BCK6 and LRCK/BCK of ADCs/DACs in master mode can be connected to PORT-1. Figure 48 shows a detailed diagram of PORT-1.

Default value: 0000

0000	Input LRCK1 and BCK1 (default)
0001	Output LRCK2 and BCK2
0010	Output LRCK3 and BCK3
0011	Output LRCK4 and BCK4
0100	Output LRCK5 and BCK5
0101	Output LRCK6 and BCK6
0110	Output LRCK and BCK from DAC12 in master mode
0111	Output LRCK and BCK from DAC34 in master mode
1000	Output LRCK and BCK from ADC12 in master mode
1001	Output LRCK and BCK from ADC34 in master mode
Others	Reserved

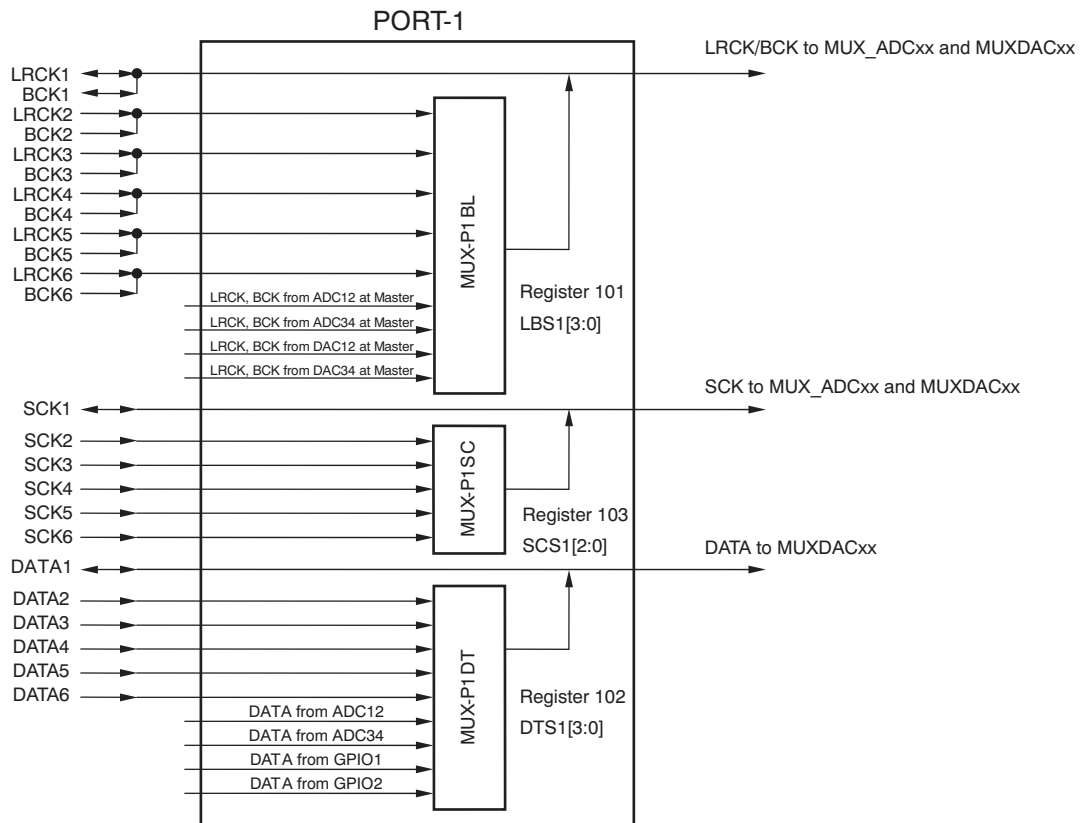


Figure 48. Detailed Diagram of PORT-1

Register 102 (66h)

REG	HEX	DESCRIPTION	B7	B6	B5	B4	B3	B2	B1	B0
102	66h	DATA selection of PORT-1 and PORT-2	DTS2[3:0]				DTS1[3:0]			

DTS2[3:0]: DATA Selection of PORT-2 (MUX_P2DT)

These bits are used for routing DATA of PORT-2. Any combination of DATA1 to DATA6 and DATA of ADCs in master mode can be connected to PORT-2. Refer to [Figure 47](#) for more details.

Default value: 0001

0000	Output DATA1
0001	Input DATA2 (default)
0010	Output DATA3
0011	Output DATA4
0100	Output DATA5
0101	Output DATA6
0110	Output GPIO1
0111	Output GPIO2
1000	Output DATA from ADC12
1001	Output DATA from ADC34
Others	Reserved

DTS1[3:0]: DATA Selection of PORT-1 (MUX_P1DT)

These bits are used for routing DATA of PORT-1. Any combination of DATA1 to DATA6 and DATA of ADCs in master mode can be connected to PORT-1. Refer to [Figure 48](#) for more details.

Default value: 0000

0000	Input DATA1 (default)
0001	Output DATA2
0010	Output DATA3
0011	Output DATA4
0100	Output DATA5
0101	Output DATA6
0110	Output GPIO1
0111	Output GPIO2
1000	Output DATA from ADC12
1001	Output DATA from ADC34
Others	Reserved

Register 103 (67h)

REG	HEX	DESCRIPTION	B7	B6	B5	B4	B3	B2	B1	B0
103	67h	SCK selection of PORT-1 and PORT-2	RSV	SCS2[3:0]			RSV	SCS1[3:0]		

SCS2[3:0]: SCK Selection of PORT-2 (MUX_P2SC)

These bits are used for routing SCK of PORT-2. Any combination of SCK1 to SCK6 and SCK can be connected to PORT-2. Refer to [Figure 47](#) for more details.

Default value: 001

000	Output SCK1
001	Input SCK2 (default)
010	Output SCK3
011	Output SCK4
100	Output SCK5
101	Output SCK6
Others	Reserved

SCS1[3:0]: SCK Selection of PORT-1 (MUX_P1SC)

These bits are used for routing SCK of PORT-2. Any combination of SCK1 to SCK6 and SCK can be connected to PORT-1. Refer to [Figure 48](#) for more details.

Default value: 000

000	Input SCK1 (default)
001	Output SCK2
010	Output SCK3
011	Output SCK4
100	Output SCK5
101	Output SCK6
Others	Reserved

Register 104 (68h)

REG	HEX	DESCRIPTION	B7	B6	B5	B4	B3	B2	B1	B0
104	68h	LRCK/BCK selection of PORT-4	LBS4[3:0]				LBS3[3:0]			

LBS4[3:0]: LRCK/BCK Selection of PORT-4 (MUX_P4BL)

These bits are used for routing LRCK and BCK of PORT-4. Any combination of LRCK1/BCK1 to LRCK6/BCK6 and LRCK/BCK of ADCs/DACs in master mode can be connected to PORT-4. Figure 49 shows a detailed diagram of PORT-4.

Default value: 0011

0000	Output LRCK1 and BCK1
0001	Output LRCK2 and BCK2
0010	Output LRCK3 and BCK3
0011	Input LRCK4 and BCK4 (default)
0100	Output LRCK5 and BCK5
0101	Output LRCK6 and BCK6
0110	Output LRCK and BCK from DAC12 in master mode
0111	Output LRCK and BCK from DAC34 in master mode
1000	Output LRCK and BCK from ADC12 in master mode
1001	Output LRCK and BCK from ADC34 in master mode
Others	Reserved

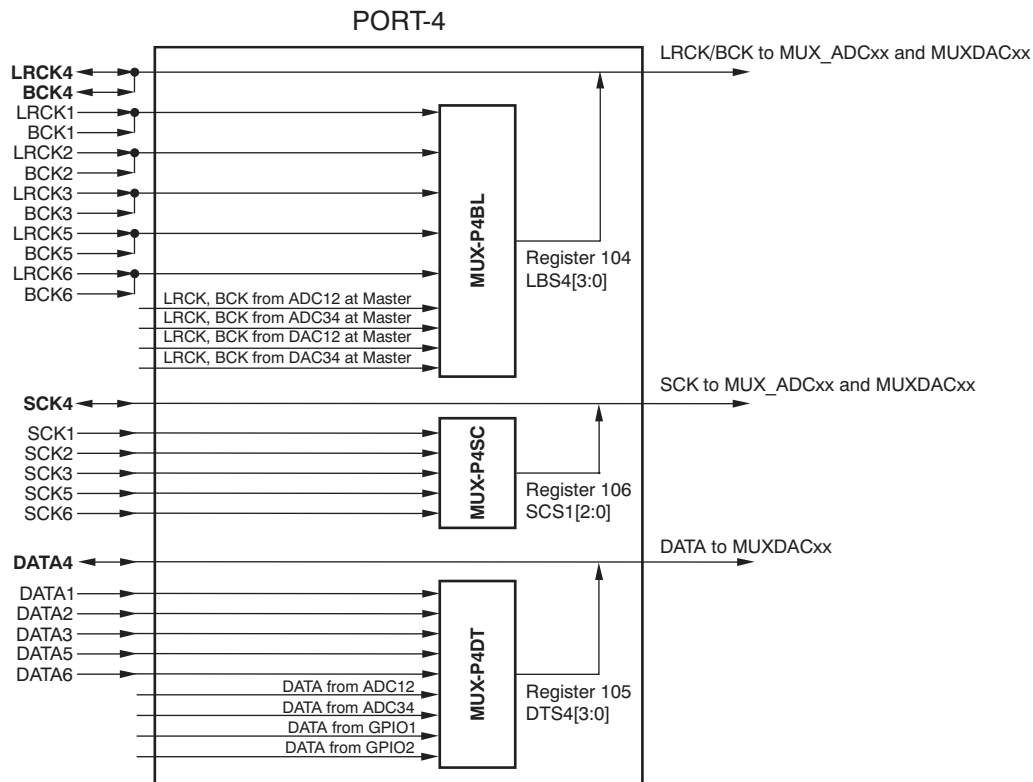


Figure 49. Detailed Diagram of PORT-4

LBS3[3:0]: LRCK/BCK Selection of PORT-3 (MUX_P3BL)

These bits are used for routing LRCK and BCK of PORT-3. Any combination of LRCK1/BCK1 to LRCK6/BCK6 and LRCK/BCK of ADCs/DACs in master mode can be connected to PORT-3. Figure 50 shows a detailed diagram of PORT-3.

Default value: 0010

0000	Output LRCK1 and BCK1
0001	Output LRCK2 and BCK2
0010	Input LRCK3 and BCK3 (default)
0011	Output LRCK4 and BCK4
0100	Output LRCK5 and BCK5
0101	Output LRCK6 and BCK6
0110	Output LRCK and BCK from DAC12 in master mode
0111	Output LRCK and BCK from DAC34 in master mode
1000	Output LRCK and BCK from ADC12 in master mode
1001	Output LRCK and BCK from ADC34 in master mode
Others	Reserved

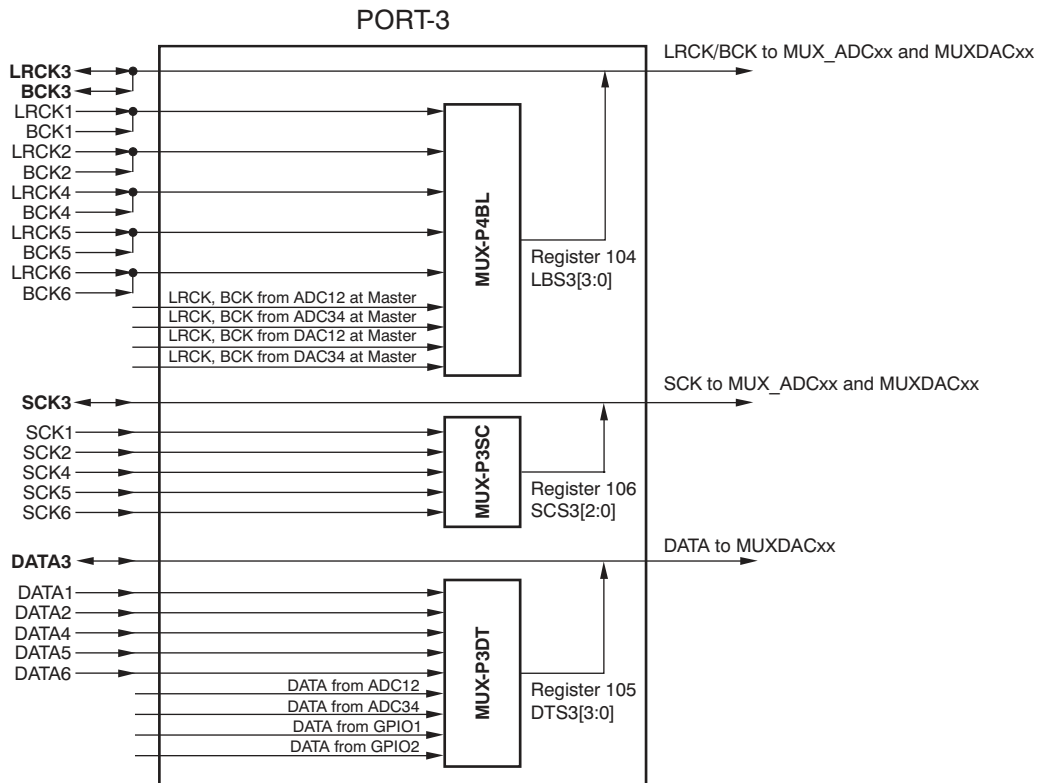


Figure 50. Detailed Diagram of PORT-3

Register 105 (69h)

REG	HEX	DESCRIPTION	B7	B6	B5	B4	B3	B2	B1	B0
105	69h	DATA selection of PORT-3 and PORT-4	DTS4[3:0]				DTS3[3:0]			

DTS4[3:0]: DATA Selection of PORT-4 (MUX_P4DT)

These bits are used for routing DATA of PORT-4. Any combination of DATA1 to DATA6 and DATA of ADCs in master mode can be connected to PORT-4. Refer to [Figure 49](#) for more details.

Default value: 0011

0000	Output DATA1
0001	Output DATA2
0010	Output DATA3
0011	Input DATA4 (default)
0100	Output DATA5
0101	Output DATA6
0110	Output GPIO1
0111	Output GPIO2
1000	Output DATA from ADC12
1001	Output DATA from ADC34
Others	Reserved

DTS3[3:0]: DATA Selection of PORT-3 (MUX_P3DT)

These bits are used for routing DATA of PORT-3. Any combination of DATA1 to DATA6 and DATA of ADCs in master mode can be connected to PORT-3. Refer to [Figure 50](#) for more details.

Default value: 0010

0000	Output DATA1
0001	Output DATA2
0010	Input DATA3 (default)
0011	Output DATA4
0100	Output DATA5
0101	Output DATA6
0110	Output GPIO1
0111	Output GPIO2
1000	Output DATA from ADC12
1001	Output DATA from ADC34
Others	Reserved

Register 106 (6Ah)

REG	HEX	DESCRIPTION	B7	B6	B5	B4	B3	B2	B1	B0
106	6Ah	SCK selection of PORT-3 and PORT-4	RSV	SCS4[3:0]			RSV	SCS3[3:0]		

SCS4[3:0]: SCK Selection of PORT-4 (MUX_P4SC)

These bits are used for routing SCK of PORT-4. Any combination of SCK1 to SCK6 and SCK can be connected to PORT-4. Refer to [Figure 49](#) for more details.

Default value: 011

000	Output SCK1
001	Output SCK2
010	Output SCK3
011	Input SCK4 (default)
100	Output SCK5
101	Output SCK6
Others	Reserved

SCS3[3:0]: SCK Selection of PORT-3 (MUX_P3SC)

These bits are used for routing SCK of PORT-3. Any combination of SCK1 to SCK6 and SCK can be connected to PORT-3. Refer to [Figure 50](#) for more details.

Default value: 010

000	Output SCK1
001	Output SCK2
010	Input SCK3 (default)
011	Output SCK4
100	Output SCK5
101	Output SCK6
Others	Reserved

Register 107 (6Bh)

REG	HEX	DESCRIPTION	B7	B6	B5	B4	B3	B2	B1	B0
107	6Bh	LRCK/BCK selection of PORT-6	LBS6[3:0]				LBS5[3:0]			

LBS6[3:0]: LRCK/BCK Selection of PORT-6 (MUX_P6BL)

These bits are used for routing LRCK and BCK of PORT-6. Any combination of LRCK1/BCK1 to LRCK6/BCK6 and LRCK/BCK of ADCs/DACs in master mode can be connected to PORT-6. Figure 51 shows a detailed diagram of PORT-6.

Default value: 0101

0000	Output LRCK1 and BCK1
0001	Output LRCK2 and BCK2
0010	Output LRCK3 and BCK3
0011	Output LRCK4 and BCK4
0100	Output LRCK5 and BCK5
0101	Input LRCK6 and BCK6 (default)
0110	Output LRCK and BCK from DAC12 in master mode
0111	Output LRCK and BCK from DAC34 in master mode
1000	Output LRCK and BCK from ADC12 in master mode
1001	Output LRCK and BCK from ADC34 in master mode
Others	Reserved

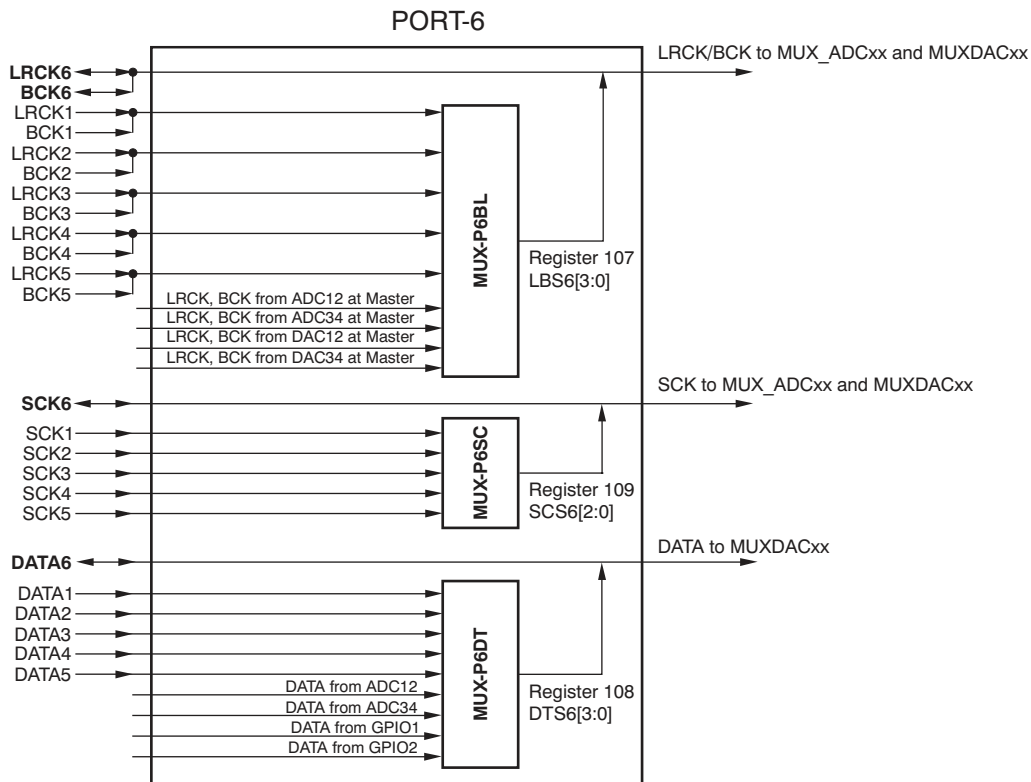


Figure 51. Detailed Diagram of PORT-6

LBS5[3:0]: LRCK/BCK Selection of PORT-5 (MUX_P5BL)

These bits are used for routing LRCK and BCK of PORT-5. Any combination of LRCK1/BCK1 to LRCK6/BCK6 and LRCK/BCK of ADCs/DACs in master mode can be connected to PORT-5. Figure 52 shows a detailed diagram of PORT-5.

Default value: 0100

0000	Output LRCK1 and BCK1
0001	Output LRCK2 and BCK2
0010	Output LRCK3 and BCK3
0011	Output LRCK4 and BCK4
0100	Input LRCK5 and BCK5 (default)
0101	Output LRCK6 and BCK6
0110	Output LRCK and BCK from DAC12 in master mode
0111	Output LRCK and BCK from DAC34 in master mode
1000	Output LRCK and BCK from ADC12 in master mode
1001	Output LRCK and BCK from ADC34 in master mode
Others	Reserved

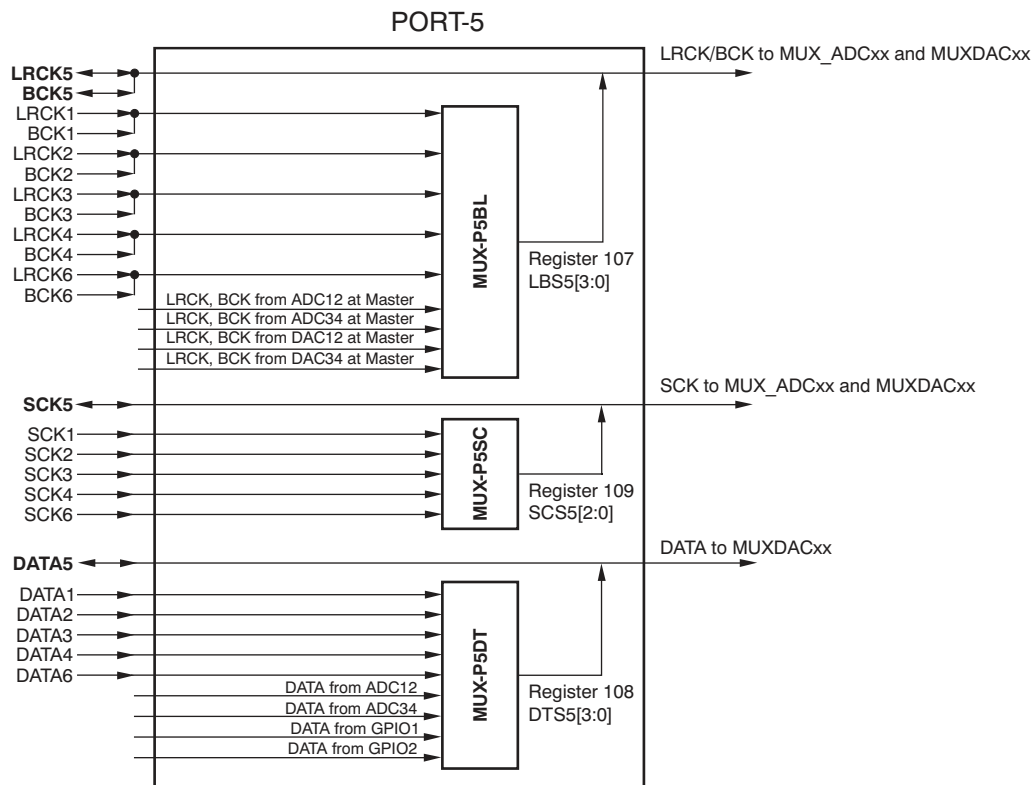


Figure 52. Detailed Diagram of PORT-5

Register 108 (6Ch)

REG	HEX	DESCRIPTION	B7	B6	B5	B4	B3	B2	B1	B0
108	6Ch	DATA selection of PORT-5 and PORT-6	DTS6[3:0]				DTS5[3:0]			

DTS6[3:0]: DATA Selection of PORT-6 (MUX_P6DT)

These bits are used for routing DATA of PORT-6. Any combination of DATA1 to DATA6 and DATA of ADCs in master mode can be connected to PORT-6. Refer to [Figure 51](#) for more details.

Default value: 0101

0000	Output DATA1
0001	Output DATA2
0010	Output DATA3
0011	Output DATA4
0100	Output DATA5
0101	Input DATA6 (default)
0110	Output GPIO1
0111	Output GPIO2
1000	Output DATA from ADC12
1001	Output DATA from ADC34
Others	Reserved

DTS5[3:0]: DATA Selection of PORT-5 (MUX_P5DT)

These bits are used for routing DATA of PORT-5. Any combination of DATA1 to DATA6 and DATA of ADCs in master mode can be connected to PORT-5. Refer to [Figure 52](#) for more details.

Default value: 0100

0000	Output DATA1
0001	Output DATA2
0010	Output DATA3
0011	Output DATA4
0100	Input DATA5 (default)
0101	Output DATA6
0110	Output GPIO1
0111	Output GPIO2
1000	Output DATA from ADC12
1001	Output DATA from ADC34
Others	Reserved

Register 109 (6Dh)

REG	HEX	DESCRIPTION	B7	B6	B5	B4	B3	B2	B1	B0
109	6Dh	SCK selection of PORT-5 and PORT-6	RSV	SCS6[3:0]			RSV	SCS5[3:0]		

SCS6[3:0]: SCK Selection of PORT-6 (MUX_P6SC)

These bits are used for routing SCK of PORT-6. Any combination of SCK1 to SCK6 and SCK can be connected to PORT-6. Refer to [Figure 51](#) for more details.

Default value: 101

000	Output SCK1
001	Output SCK2
010	Output SCK3
011	Output SCK4
100	Output SCK5
101	Input SCK6 (default)
Others	Reserved

SCS5[3:0]: SCK Selection of PORT-5 (MUX_P5SC)

These bits are used for routing SCK of PORT-5. Any combination of SCK1 to SCK6 and SCK can be connected to PORT-5. Refer to [Figure 52](#) for more details.

Default value: 100

000	Output SCK1
001	Output SCK2
010	Output SCK3
011	Output SCK4
100	Input SCK5 (default)
101	Output SCK6
Others	Reserved

Register 110 (6Eh)

REG	HEX	DESCRIPTION	B7	B6	B5	B4	B3	B2	B1	B0
110	6Eh	LRCK/BCK selection of DAC12 and DAC34	D34LB[3:0]				D12LB[3:0]			

D34LB[3:0]: LRCK/BCK Selection of DAC34 (MUX_DA34)

These bits are used for routing LRCK and BCK from each audio interface port to DAC34, or routing LRCK and BCK from DACs/ADCs to each audio interface port in master mode. Refer to [Figure 33](#) for more details.

Default value: 0100

0000	Select LRCK and BCK from PORT-1
0001	Select LRCK and BCK from PORT-2
0010	Select LRCK and BCK from PORT-3
0011	Select LRCK and BCK from PORT-4
0100	Select LRCK and BCK from PORT-5 (default)
0101	Select LRCK and BCK from PORT-6
0110	Select LRCK and BCK from DAC12 in master mode
0111	Select LRCK and BCK from DAC34 in master mode
1000	Select LRCK and BCK from ADC12 in master mode
1001	Select LRCK and BCK from ADC34 in master mode
Others	Reserved

D12LB[3:0] LRCK/BCK Selection of DAC12 (MUX_DA12)

These bits are used for routing LRCK and BCK from each audio interface port to DAC12, or routing LRCK and BCK from DACs/ADCs to each audio interface port in master mode. Refer to [Figure 33](#) for more details.

Default value: 0011

0000	Select LRCK and BCK from PORT-1
0001	Select LRCK and BCK from PORT-2
0010	Select LRCK and BCK from PORT-3
0011	Select LRCK and BCK from PORT-4 (default)
0100	Select LRCK and BCK from PORT-5
0101	Select LRCK and BCK from PORT-6
0110	Select LRCK and BCK from DAC12 in master mode
0111	Select LRCK and BCK from DAC34 in master mode
1000	Select LRCK and BCK from ADC12 in master mode
1001	Select LRCK and BCK from ADC34 in master mode
Others	Reserved

Register 111 (6Fh)

REG	HEX	DESCRIPTION	B7	B6	B5	B4	B3	B2	B1	B0
111	6Fh	DATA selection of DAC12 and DAC34	D34DT[3:0]				D12DT[3:0]			

D34DT[3:0] DATA Selection of DAC34 (MUX_DA34)

These bits are used for routing DATA from each audio interface port to DAC34, or routing DATA from ADCs to each audio interface port in master mode. Refer to [Figure 33](#) for more details.

Default value: 0100

0000	Select DATA from PORT-1
0001	Select DATA from PORT-2
0010	Select DATA from PORT-3
0011	Select DATA from PORT-4
0100	Select DATA from PORT-5 (default)
0101	Select DATA from PORT-6
0110	Select DATA from GPIO1
0111	Select DATA from GPIO2
1000	Select DATA from ADC12
1001	Select DATA from ADC34
Others	Reserved

D12DT[3:0] DATA Selection of DAC12 (MUX_DA12)

These bits are used for routing DATA from each audio interface port to DAC12, or routing DATA from ADCs to each audio interface port in master mode. Refer to [Figure 33](#) for more details.

Default value: 0011

0000	Select DATA from PORT-1
0001	Select DATA from PORT-2
0010	Select DATA from PORT-3
0011	Select DATA from PORT-4 (default)
0100	Select DATA from PORT-5
0101	Select DATA from PORT-6
0110	Select DATA from GPIO1
0111	Select DATA from GPIO2
1000	Select DATA from ADC12
1001	Select DATA from ADC34
Others	Reserved

Register 112 (70h)

REG	HEX	DESCRIPTION	B7	B6	B5	B4	B3	B2	B1	B0
112	70h	SCK selection of DAC12 and DAC34	RSV	D34SC[3:0]			RSV	D12SC[3:0]		

D34SC[2:0] SCK Selection of DAC34 (MUX_DA34)

These bits are used for routing SCK from each audio interface port to DAC34. Refer to [Figure 33](#) for more details.

Default value: 100

000	Select SCK from PORT-1
001	Select SCK from PORT-2
010	Select SCK from PORT-3
011	Select SCK from PORT-4
100	Select SCK from PORT-5 (default)
101	Select SCK from PORT-6
Others	Reserved

D12SC[2:0] SCK Selection of DAC12 (MUX_DA12)

These bits are used for routing SCK from each audio interface port to DAC12. Refer to [Figure 33](#) for more details.

Default value: 011

000	Select SCK from PORT-1
001	Select SCK from PORT-2
010	Select SCK from PORT-3
011	Select SCK from PORT-4 (default)
100	Select SCK from PORT-5
101	Select SCK from PORT-6
Others	Reserved

Register 116 (74h)

REG	HEX	DESCRIPTION	B7	B6	B5	B4	B3	B2	B1	B0
116	74h	LRCK/BCK selection of ADC12 and ADC34	A34LB[3:0]				A12LB[3:0]			

A34LB[3:0]: LRCK/BCK Selection of ADC34 (MUX_AD34)

These bits are used for routing LRCK and BCK from each audio interface port to ADC34, or routing LRCK and BCK from DACs/ADCs to each audio interface port in master mode. Refer to [Figure 33](#) for more details.

Default value: 0001

0000	Select LRCK and BCK from PORT-1
0001	Select LRCK and BCK from PORT-2 (default)
0010	Select LRCK and BCK from PORT-3
0011	Select LRCK and BCK from PORT-4
0100	Select LRCK and BCK from PORT-5
0101	Select LRCK and BCK from PORT-6
0110	Select LRCK and BCK from DAC12 in master mode
0111	Select LRCK and BCK from DAC34 in master mode
1000	Select LRCK and BCK from ADC12 in master mode
1001	Select LRCK and BCK from ADC34 in master mode
Others	Reserved

A12LB[3:0] LRCK/BCK Selection of ADC12 (MUX_AD12)

These bits are used for routing LRCK and BCK from each audio interface port to ADC12, or routing LRCK and BCK from DACs/ADCs to each audio interface port in master mode. Refer to [Figure 33](#) for more details.

Default value: 0000

0000	Select LRCK and BCK from PORT-1 (default)
0001	Select LRCK and BCK from PORT-2
0010	Select LRCK and BCK from PORT-3
0011	Select LRCK and BCK from PORT-4
0100	Select LRCK and BCK from PORT-5
0101	Select LRCK and BCK from PORT-6
0110	Select LRCK and BCK from DAC12 in master mode
0111	Select LRCK and BCK from DAC34 in master mode
1000	Select LRCK and BCK from ADC12 in master mode
1001	Select LRCK and BCK from ADC34 in master mode
Others	Reserved

Register 117 (75h)

REG	HEX	DESCRIPTION	B7	B6	B5	B4	B3	B2	B1	B0
117	75h	SCK selection of ADC12 and ADC34	RSV	A34SC[3:0]			RSV	A12SC[3:0]		

A34SC[2:0] SCK Selection of ADC34 (MUX_AD34)

These bits are used for routing SCK from each audio interface port to ADC34. Refer to [Figure 33](#) for more details.

Default value: 001

000	Select SCK from PORT-1
001	Select SCK from PORT-2 (default)
010	Select SCK from PORT-3
011	Select SCK from PORT-4
100	Select SCK from PORT-5
101	Select SCK from PORT-6
Others	Reserved

A12SC[2:0] SCK Selection of ADC12 (MUX_AD12)

These bits are used for routing SCK from each audio interface port to ADC12. Refer to [Figure 33](#) for more details.

Default value: 000

000	Select SCK from PORT-1 (default)
001	Select SCK from PORT-2
010	Select SCK from PORT-3
011	Select SCK from PORT-4
100	Select SCK from PORT-5
101	Select SCK from PORT-6
Others	Reserved

Register 118 (76h)

REG	HEX	DESCRIPTION	B7	B6	B5	B4	B3	B2	B1	B0
118	76h	GPIO1 and GPIO2 audio data selection	GP2S[3:0]				GP1S[3:0]			

GP2S[3:0] GPIO2 Audio Data Selection

Default value: 1010

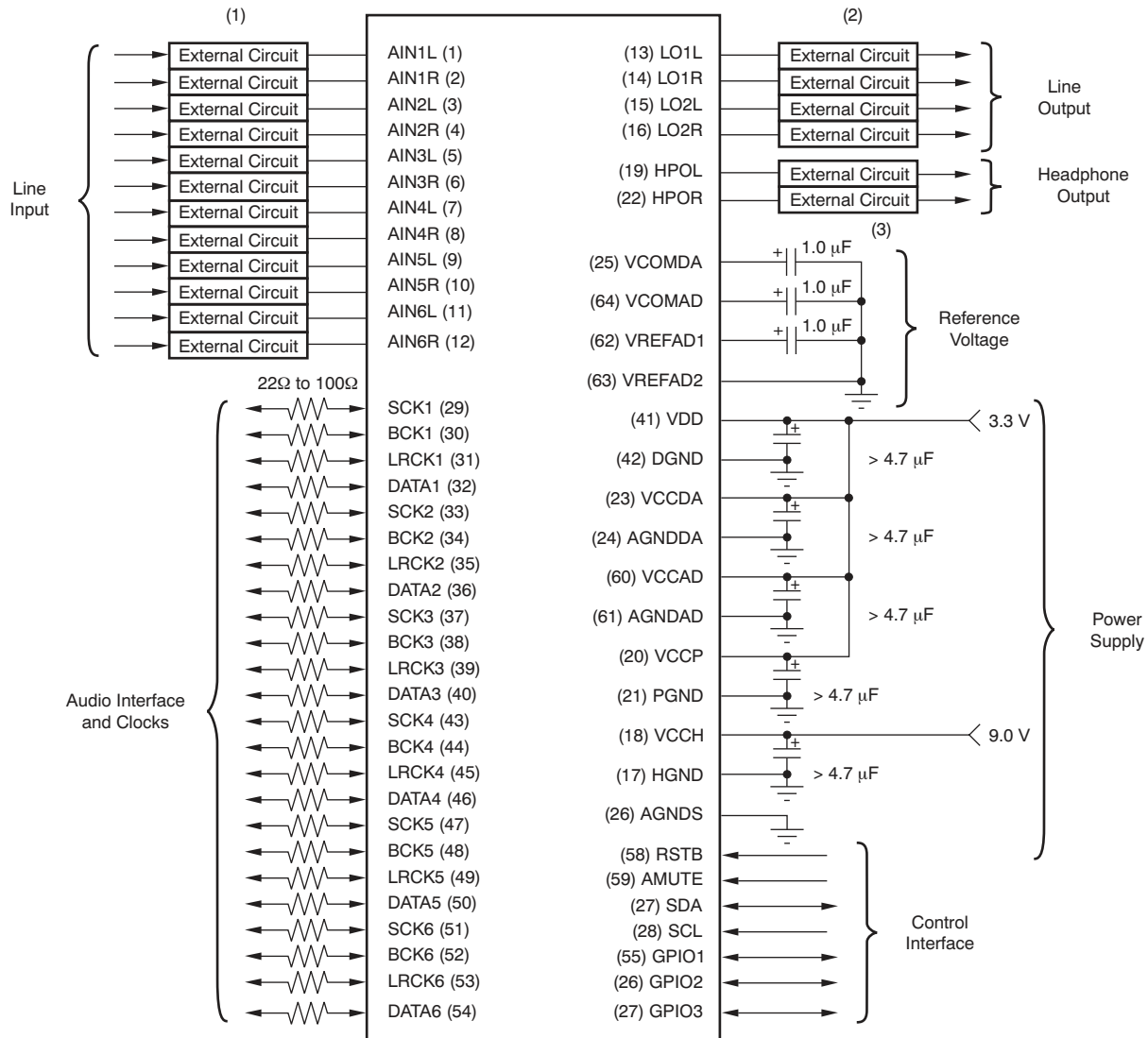
0000	Output DATA1
0001	Output DATA2
0010	Output DATA3
0011	Output DATA4
0100	Output DATA5
0101	Output DATA6
0110	Output GPIO1
0111	Input GPIO2
1000	Output DATA from ADC12
1001	Output DATA from ADC34
1010	Use GPIO function (default)
Others	Reserved

GP1S[3:0] GPIO1 Audio Data Selection

Default value: 1010

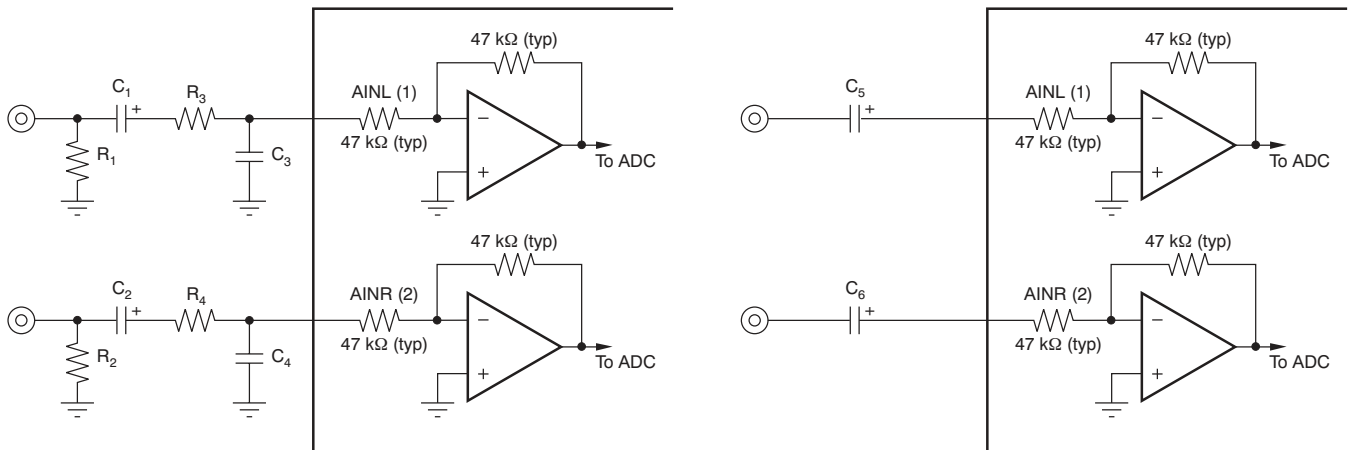
0000	Output DATA1
0001	Output DATA2
0010	Output DATA3
0011	Output DATA4
0100	Output DATA5
0101	Output DATA6
0110	Input GPIO1
0111	Output GPIO2
1000	Output DATA from ADC12
1001	Output DATA from ADC34
1010	Use GPIO function (default)
Others	Reserved

BASIC CONNECTION DIAGRAMS



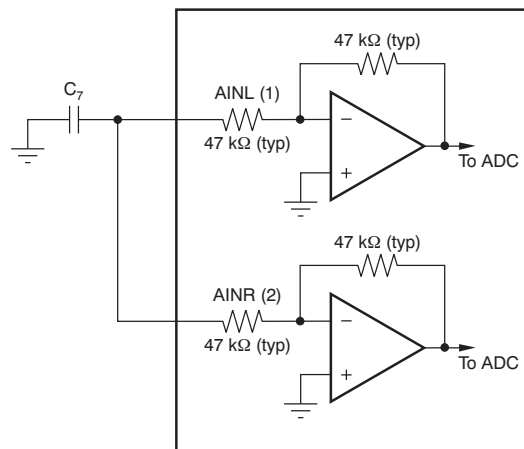
- (1) See [Figure 54](#) for the line input.
- (2) See [Figure 55](#) for the line output.
- (3) See [Figure 56](#) for the headphone output.

Figure 53. Basic Connections



(a) External Circuit for Line Input with Low-Pass Filter

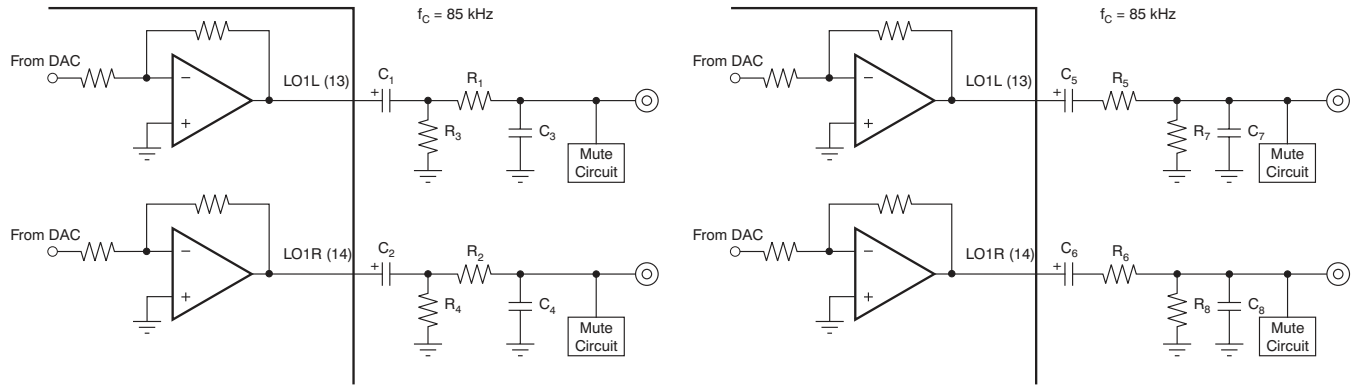
(b) External Circuit for Line Input without Low-Pass Filter



(c) External Circuit for not using Analog Input

R₁, R₂: Greater than 100 kΩ
 R₃, R₄: 100 Ω to 1 kΩ
 C₁, C₂, C₅, C₆: 1 μF to 47 μF
 C₃, C₄: 0.01 μF to 0.001 μF
 C₇: Less than 0.1 μF

Figure 54. External Circuit for the Line Input

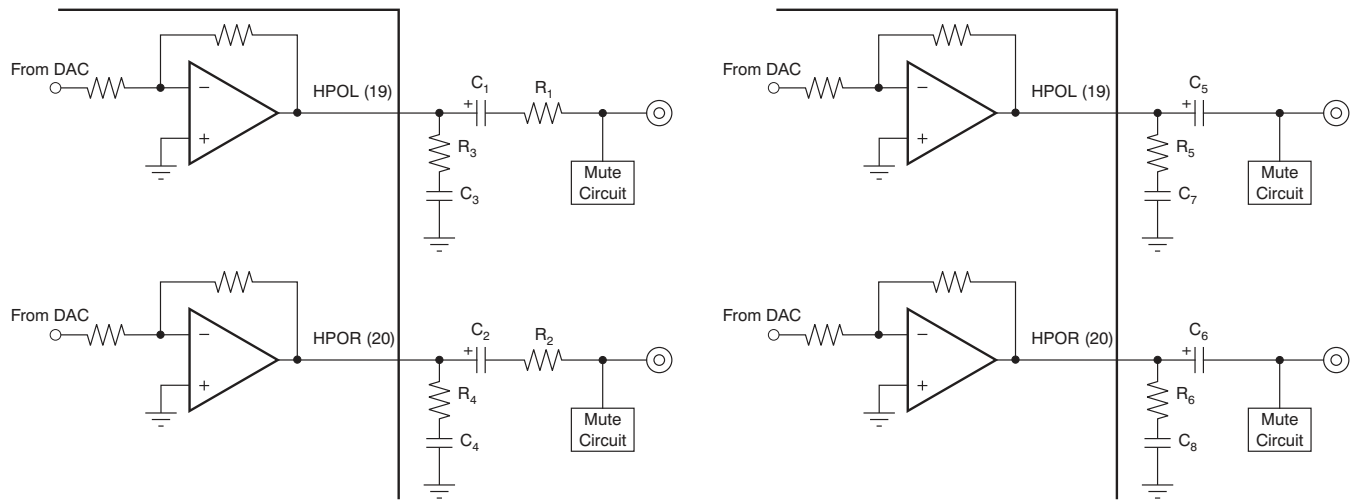


(a) External Circuit for Line Output with Low-Pass Filter

(b) External Circuit for Line Output with Low-Pass Filter

R_1, R_2, R_5, R_6 : 270 Ω
 R_3, R_4, R_7 : > 100 k Ω
 C_1, C_2, C_5, C_6 : 1 μF to 47 μF
 C_3, C_4, C_7, C_8 : 6800 pF

Figure 55. External Circuit for the Line Output



(a) External Circuit with Short-Circuit protection Resistor

(b) External Circuit without Short-Circuit Protection Resistor

R_1, R_2 : 4 Ω to 16 Ω
 R_3, R_4, R_5, R_6 : 22 Ω
 C_1, C_2, C_5, C_6 : 47 μF to 220 μF
 C_3, C_4, C_7, C_8 : 0.022 μF

Figure 56. External Circuit for the Headphone Output

BOARD DESIGN AND LAYOUT CONSIDERATIONS

POWER-SUPPLY PINS

The digital and analog power supplies (VCC, VCCDA, VCCAD, VCCP, and VCCH) to the PCM5310 should be bypassed to the corresponding ground pins with a 1- μ F to 4.7- μ F electrolytic or ceramic capacitor, placed as close to the pins as possible to maximize the dynamic performance of ADC, DAC, and other analog circuits. If the power supply includes high-frequency noise, it is recommended to add a 0.1 μ F ceramic capacitor as close as possible to the power-supply lines to improve the dynamic performance.

To maximize the dynamic performance of the ADC, DAC, and other analog circuits, the analog and ground pins (DGND, AGNDDA, AGNDAD, PGND, HGND and AGNDS) are not connected internally. These grounds should have a low impedance to avoid digital noise feeding to the analog ground. Therefore, they should be connected directly to each other under the device to reduce the potential of a noise problem.

ANALOG INPUT PINS

All analog input pins (AIN1L/AIN1R to AIN6L/AIN6R) are single-ended inputs with an analog multiplexer. Antialiasing low-pass filters are included on these inputs to remove the out-of-band noise from the audio. If the performance of these filters is not sufficient for a given application, appropriate external antialiasing filters are required. The passive RC filter (see [Figure 54](#)) is used in general. Any pins that are not used in a given application should be left open or connected to ground with a small, 0.1- μ F ceramic capacitor.

LINE OUTPUT PINS

All line output pins (LO1L, LO1R, LO2L and LO2R) are single-ended outputs with a 2- V_{RMS} driver. An amplifier with a low-pass filter is not required as in a conventional DAC; however, the delta-sigma modulator generates out-of-band noise. The passive RC filter (see [Figure 55](#)) is used to remove this noise in general. If any line output pins are not used within a given application, they should be left open.

HEADPHONE OUTPUT PINS

The headphone output pins (HPOL and HPOR) are single-ended outputs with more than 30-mW output power into either a 16- Ω or 32- Ω load. If the headphone output pins are not used within a given application, they should be left open. Adding a small resistor to these outputs is recommended (see [Figure 56](#)), in order to protect the application and device from short-circuiting.

COMMON VOLTAGE PINS

A 1- μ F ceramic capacitor should be connected between the common voltage pins (VCOMAD and VCOMDA) for the analog circuit and ground to ensure low source impedance of the ADC and DAC common voltages. This capacitor should be located as close as possible to these pins.

REFERENCE VOLTAGE PINS

A 1- μ F ceramic capacitor should be connected between the VREFAD1 pin and ground to ensure low source impedance of ADC reference voltage. This capacitor should be located as close as possible to these pins. VREFAD2 pin should be connected to directly ground.

DIGITAL OUTPUT PINS

The audio interface pins (LRCKx, BCKx, SCKx), clock pins (SCKx) and general-purpose input/output (GPIOx) pins change from input mode to output mode through register settings. In output mode, these pins have adequate load drive capability (see the [Electrical Characteristics](#)); however, if the signal lines are long, placing a buffer near the PCM5310 and minimizing the load capacitor is recommended in order to optimize crosstalk between the digital and analog circuits, maximize the dynamic performance of the ADC and DAC, and reduce overall power consumption. The digital output pins should be open if they are not used in a given application.

DIGITAL INPUT PINS

Series resistors (ranging from 22 Ω to 100 Ω) are recommended for the SCKx, LRCKx, BCKx, and DATAx pins. These series resistors combine with the stray printed circuit board (PCB) and device input capacitance to form a low-pass filter that removes high-frequency noise from the digital signal, thus reducing high-frequency emissions. All digital input pins should be connected to ground if they are not used in a given application.

PowerPAD (THERMAL PAD)

The PCM5310 is available in an HTQFP-64 PowerPAD package. The PowerPAD is a heatsink, which is exposed metal at the bottom of the package. The PowerPAD works to conduct heat away from the silicon through thermal vias located at the bottom of the PowerPAD.

The PowerPAD does not need to be soldered onto an exposed metal area of the PCB because the device works within the absolute maximum rating (junction temperature = +150°C) without soldering the PowerPAD.

Refer to application note [SLMA002](#), *PowerPAD Thermally Enhanced Package*, when considering whether to solder the PowerPAD in order to reduce more heat from the device.

REVISION HISTORY

NOTE: Page numbers for previous revisions may differ from page numbers in the current version.

Changes from Revision A (January 2010) to Revision B	Page
• Changed HUPE and HZRS default values in Register 30	52
• Changed DZ12 default value in Registers 40 and 41	57
• Changed DZ34 default value in Registers 50 and 51	61
• Changed AZ12 default value in Registers 80 and 81	66
• Changed AZ43 default value in Register 90	70
• Changed GP2S[3:0] and GP1S[3:0] default values in Register 118	91

Changes from Original (February, 2009) to Revision A	Page
• Changed document to format to meet current standards	1
• Deleted contents of the <i>Slave Address</i> subsection except for first sentence	38

PACKAGING INFORMATION

Orderable Device	Status (1)	Package Type	Package Drawing	Pins	Package Qty	Eco Plan (2)	Lead finish/ Ball material (6)	MSL Peak Temp (3)	Op Temp (°C)	Device Marking (4/5)	Samples
PCM5310PAP	ACTIVE	HTQFP	PAP	64	160	RoHS & Green	NIPDAU	Level-3-260C-168 HR	-25 to 85	PCM5310	Samples
PCM5310PAPR	ACTIVE	HTQFP	PAP	64	1000	RoHS & Green	NIPDAU	Level-3-260C-168 HR	-25 to 85	PCM5310	Samples

(1) The marketing status values are defined as follows:

ACTIVE: Product device recommended for new designs.

LIFEBUY: TI has announced that the device will be discontinued, and a lifetime-buy period is in effect.

NRND: Not recommended for new designs. Device is in production to support existing customers, but TI does not recommend using this part in a new design.

PREVIEW: Device has been announced but is not in production. Samples may or may not be available.

OBSOLETE: TI has discontinued the production of the device.

(2) **RoHS:** TI defines "RoHS" to mean semiconductor products that are compliant with the current EU RoHS requirements for all 10 RoHS substances, including the requirement that RoHS substance do not exceed 0.1% by weight in homogeneous materials. Where designed to be soldered at high temperatures, "RoHS" products are suitable for use in specified lead-free processes. TI may reference these types of products as "Pb-Free".

RoHS Exempt: TI defines "RoHS Exempt" to mean products that contain lead but are compliant with EU RoHS pursuant to a specific EU RoHS exemption.

Green: TI defines "Green" to mean the content of Chlorine (Cl) and Bromine (Br) based flame retardants meet JS709B low halogen requirements of <=1000ppm threshold. Antimony trioxide based flame retardants must also meet the <=1000ppm threshold requirement.

(3) MSL, Peak Temp. - The Moisture Sensitivity Level rating according to the JEDEC industry standard classifications, and peak solder temperature.

(4) There may be additional marking, which relates to the logo, the lot trace code information, or the environmental category on the device.

(5) Multiple Device Markings will be inside parentheses. Only one Device Marking contained in parentheses and separated by a "~" will appear on a device. If a line is indented then it is a continuation of the previous line and the two combined represent the entire Device Marking for that device.

(6) Lead finish/Ball material - Orderable Devices may have multiple material finish options. Finish options are separated by a vertical ruled line. Lead finish/Ball material values may wrap to two lines if the finish value exceeds the maximum column width.

Important Information and Disclaimer:The information provided on this page represents TI's knowledge and belief as of the date that it is provided. TI bases its knowledge and belief on information provided by third parties, and makes no representation or warranty as to the accuracy of such information. Efforts are underway to better integrate information from third parties. TI has taken and continues to take reasonable steps to provide representative and accurate information but may not have conducted destructive testing or chemical analysis on incoming materials and chemicals. TI and TI suppliers consider certain information to be proprietary, and thus CAS numbers and other limited information may not be available for release.

In no event shall TI's liability arising out of such information exceed the total purchase price of the TI part(s) at issue in this document sold by TI to Customer on an annual basis.

TAPE AND REEL INFORMATION

QUADRANT ASSIGNMENTS FOR PIN 1 ORIENTATION IN TAPE


*All dimensions are nominal

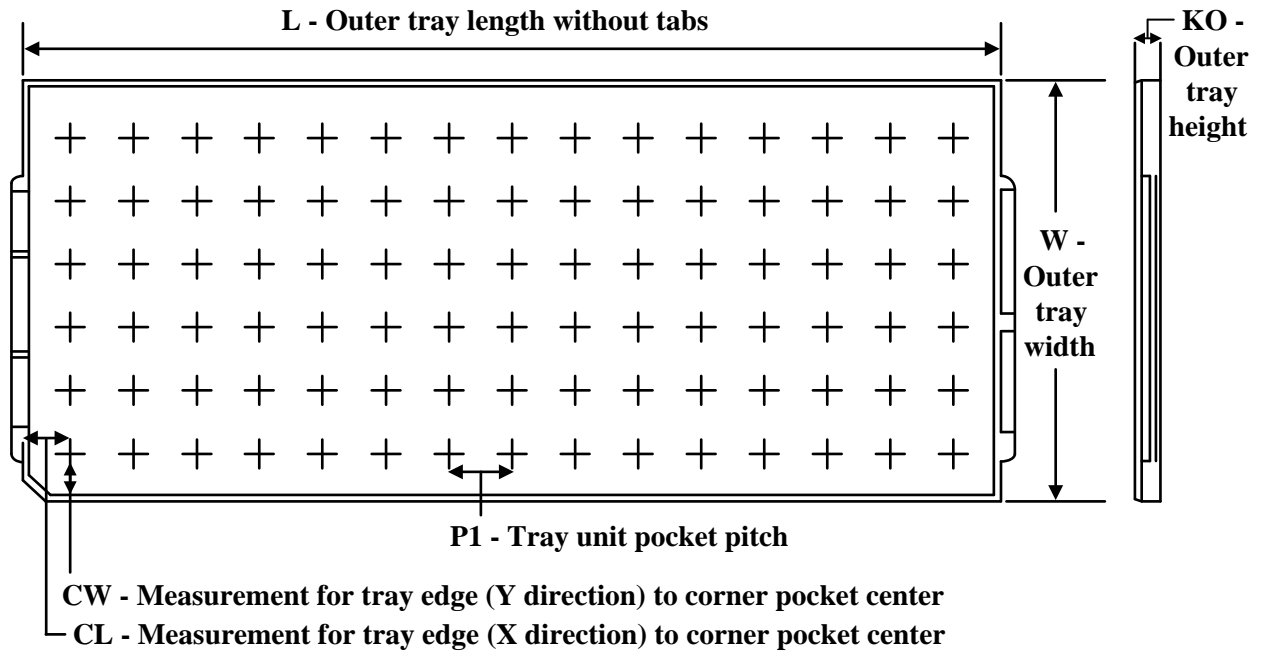
Device	Package Type	Package Drawing	Pins	SPQ	Reel Diameter (mm)	Reel Width W1 (mm)	A0 (mm)	B0 (mm)	K0 (mm)	P1 (mm)	W (mm)	Pin1 Quadrant
PCM5310PAPR	HTQFP	PAP	64	1000	330.0	24.4	13.0	13.0	1.5	16.0	24.0	Q2

TAPE AND REEL BOX DIMENSIONS


*All dimensions are nominal

Device	Package Type	Package Drawing	Pins	SPQ	Length (mm)	Width (mm)	Height (mm)
PCM5310PAPR	HTQFP	PAP	64	1000	350.0	350.0	43.0

TRAY



Chamfer on Tray corner indicates Pin 1 orientation of packed units.

*All dimensions are nominal

Device	Package Name	Package Type	Pins	SPQ	Unit array matrix	Max temperature (°C)	L (mm)	W (mm)	K0 (µm)	P1 (mm)	CL (mm)	CW (mm)
PCM5310PAP	PAP	HTQFP	64	160	8 x 20	150	315	135.9	7620	15.2	13.1	13

GENERIC PACKAGE VIEW

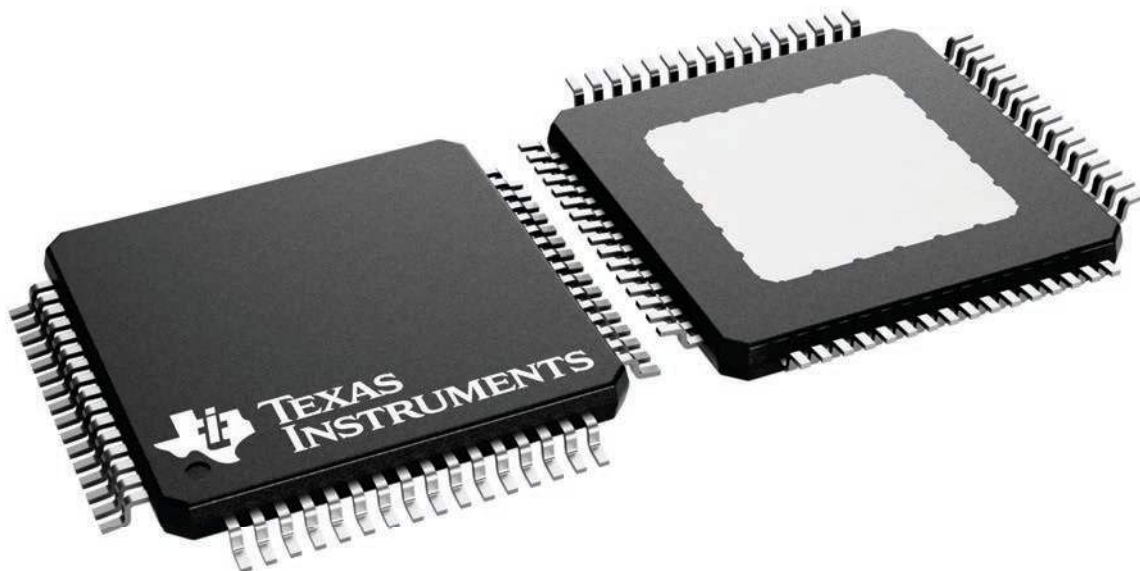
PAP 64

HTQFP - 1.2 mm max height

10 x 10, 0.5 mm pitch

QUAD FLATPACK

This image is a representation of the package family, actual package may vary.
Refer to the product data sheet for package details.



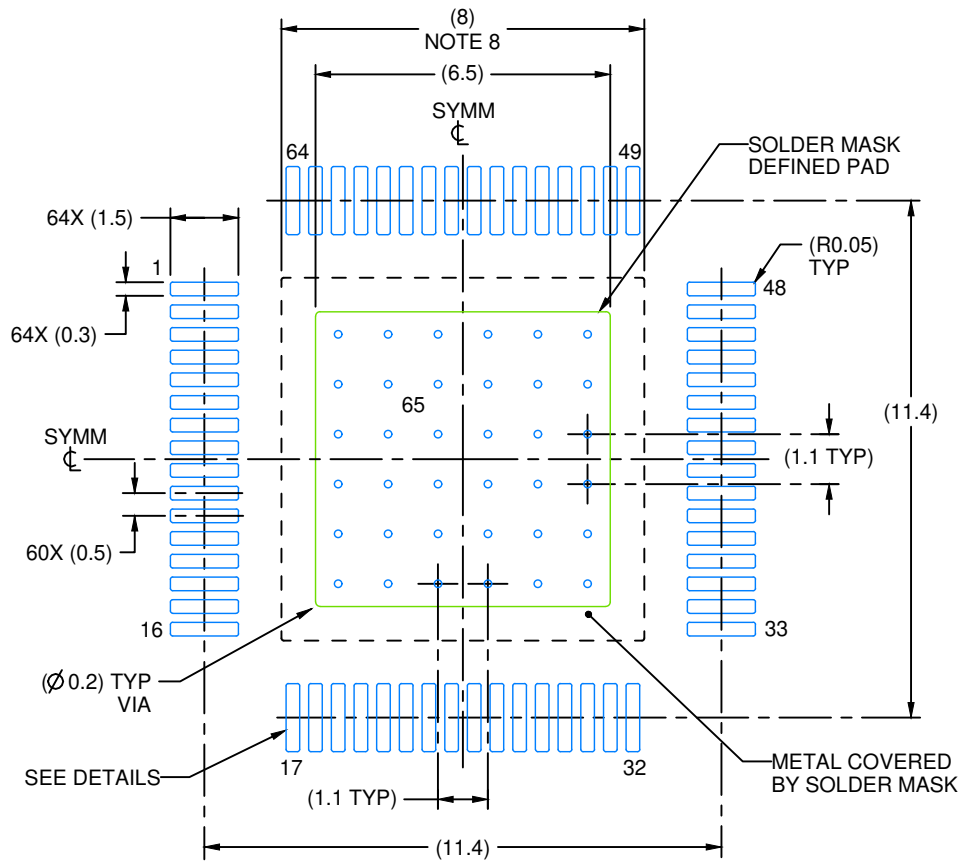
4226442/A

EXAMPLE BOARD LAYOUT

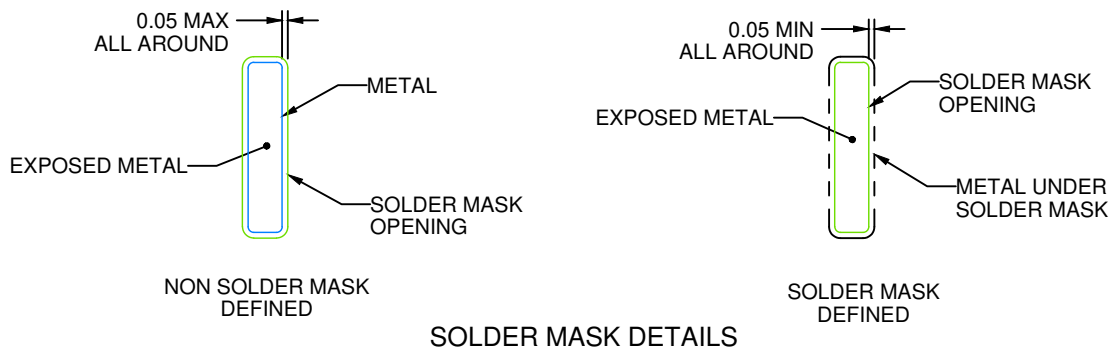
PAP0064F

PowerPAD™ TQFP - 1.2 mm max height

PLASTIC QUAD FLATPACK



LAND PATTERN EXAMPLE
EXPOSED METAL SHOWN
SCALE:6X



SOLDER MASK DETAILS

4226412/A 11/2020

NOTES: (continued)

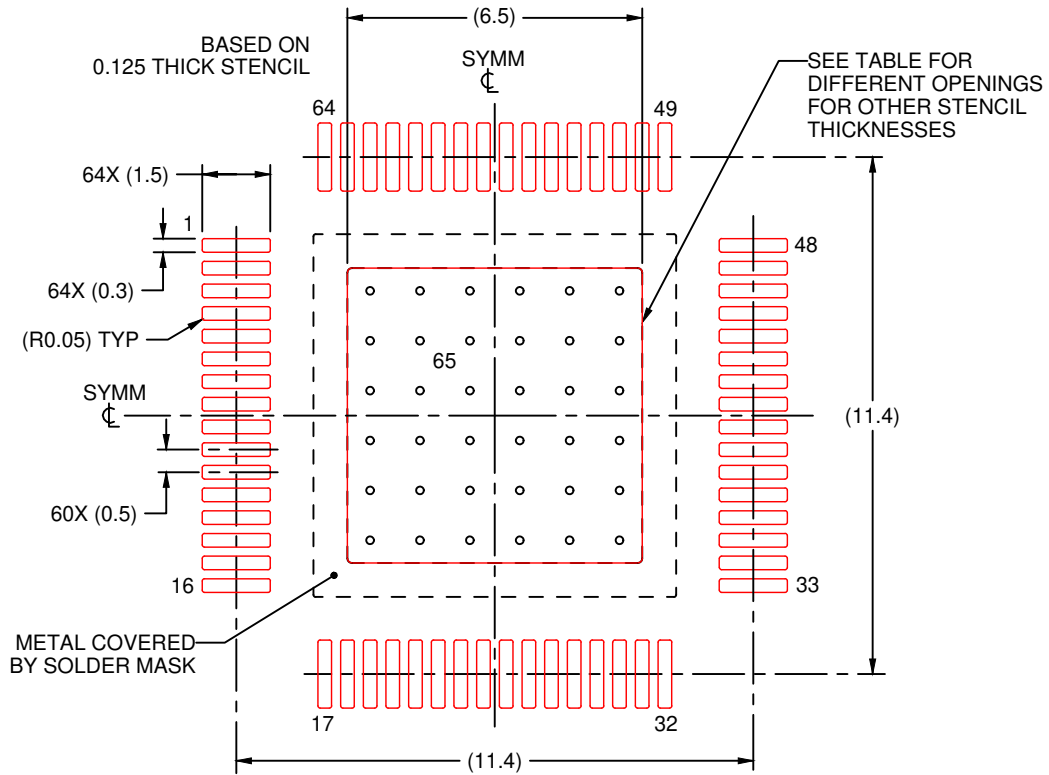
6. Publication IPC-7351 may have alternate designs.
7. Solder mask tolerances between and around signal pads can vary based on board fabrication site.
8. This package is designed to be soldered to a thermal pad on the board. See technical brief, Powerpad thermally enhanced package, Texas Instruments Literature No. SLMA002 (www.ti.com/lit/slma002) and SLMA004 (www.ti.com/lit/slma004).
9. Vias are optional depending on application, refer to device data sheet. It is recommended that vias under paste be filled, plugged or tented.
10. Size of metal pad may vary due to creepage requirement.

EXAMPLE STENCIL DESIGN

PAP0064F

PowerPAD™ TQFP - 1.2 mm max height

PLASTIC QUAD FLATPACK



SOLDER PASTE EXAMPLE
EXPOSED PAD
100% PRINTED SOLDER COVERAGE BY AREA
SCALE:6X

STENCIL THICKNESS	SOLDER STENCIL OPENING
0.1	7.27 X 7.27
0.125	6.5 X 6.5 (SHOWN)
0.15	5.93 X 5.93
0.175	5.49 X 5.49

4226412/A 11/2020

NOTES: (continued)

- Laser cutting apertures with trapezoidal walls and rounded corners may offer better paste release. IPC-7525 may have alternate design recommendations.
- Board assembly site may have different recommendations for stencil design.

IMPORTANT NOTICE AND DISCLAIMER

TI PROVIDES TECHNICAL AND RELIABILITY DATA (INCLUDING DATA SHEETS), DESIGN RESOURCES (INCLUDING REFERENCE DESIGNS), APPLICATION OR OTHER DESIGN ADVICE, WEB TOOLS, SAFETY INFORMATION, AND OTHER RESOURCES "AS IS" AND WITH ALL FAULTS, AND DISCLAIMS ALL WARRANTIES, EXPRESS AND IMPLIED, INCLUDING WITHOUT LIMITATION ANY IMPLIED WARRANTIES OF MERCHANTABILITY, FITNESS FOR A PARTICULAR PURPOSE OR NON-INFRINGEMENT OF THIRD PARTY INTELLECTUAL PROPERTY RIGHTS.

These resources are intended for skilled developers designing with TI products. You are solely responsible for (1) selecting the appropriate TI products for your application, (2) designing, validating and testing your application, and (3) ensuring your application meets applicable standards, and any other safety, security, regulatory or other requirements.

These resources are subject to change without notice. TI grants you permission to use these resources only for development of an application that uses the TI products described in the resource. Other reproduction and display of these resources is prohibited. No license is granted to any other TI intellectual property right or to any third party intellectual property right. TI disclaims responsibility for, and you will fully indemnify TI and its representatives against, any claims, damages, costs, losses, and liabilities arising out of your use of these resources.

TI's products are provided subject to [TI's Terms of Sale](#) or other applicable terms available either on ti.com or provided in conjunction with such TI products. TI's provision of these resources does not expand or otherwise alter TI's applicable warranties or warranty disclaimers for TI products.

TI objects to and rejects any additional or different terms you may have proposed.

Mailing Address: Texas Instruments, Post Office Box 655303, Dallas, Texas 75265
Copyright © 2022, Texas Instruments Incorporated