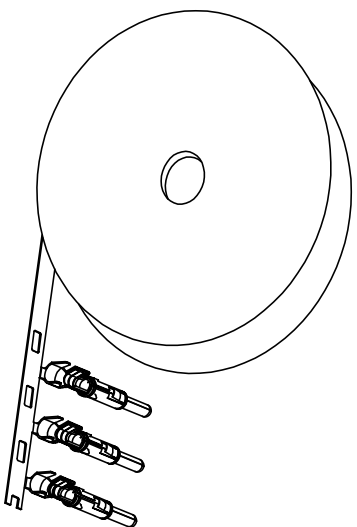
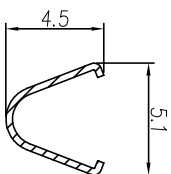


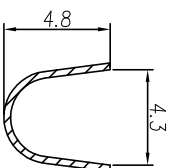
REVOLUTIONS				
REV	ECO	DESCRIPTION	DATE	BY
A1	-	RELEASED DRAWING	Sep-7-2016	Ben
A2	-	Updating Drawing	Oct-16-17	Tommy



CONTACT ORIENTATION ON ROLL



SECTION C-C

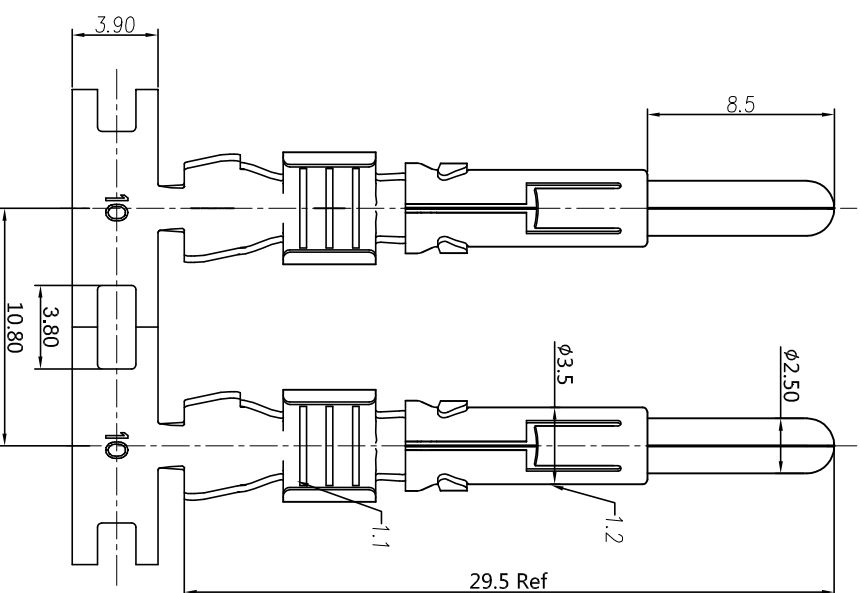


SECTION D-D

NOTES : (UNLESS OTHERWISE SPECIFIED)

1. MATERIAL :
 - 1.1. CONTACT BODY : COPPER ALLOY.
 - 1.2. OUTER SPRING : STAINLESS STEEL.
2. SPECIFICATIONS :
 - 2.1 CURRENT RATING : 23A MAX.
 - 2.2 TERMINATION TYPE : CRIMPING.
 - 2.3 WIRE RANGE : 4.0mm².
 - 2.4 WIRE INSULATION DIA(MAX) : ϕ 4.3mm.
3. ROHS COMPLIANT.
4. ALL DIMENSIONS ARE FOR REFERENCE USE ONLY.

P/N	CONTACT PLATING(MATING AREA)
SP12A1T-10	TIN PLATING OVER NICKEL.
SP12A1F-10	GOLD FLASH PLATING OVER NICKEL.
SP12A1G10-10	10 μ "GOLD PLATING OVER NICKEL.
SP12A1G15-10	15 μ "GOLD PLATING OVER NICKEL.
SP12A1G30-10	30 μ "GOLD PLATING OVER NICKEL.



QUANTITY	PART NUMBER	DESCRIPTION	ITEM
		MATERIALS LIST	

SIGNATURES	DATE
DRAWN: Ben	02/16/17
CHECKED: Tod	02/16/17
ENGINEER: Tommy	02/16/17
APPROVAL: Tommy	02/16/17

UNLESS OTHERWISE SPECIFIED	PROCESS SPECIFICATIONS	MATERIAL SPECIFICATIONS	TEST SPECIFICATIONS	SCALE	SHEET	OF
1) All dimensions are in millimeters. 2) Tolerances are as follows: 1 Pl. DEC 40.30 Fractions 1/16" 3 Pl. DEC 40.08 3) Note reference = Δ				B C-	1	1

Amphenol
Sine Systems - www.amphenol-sine.com
44724 Morley Drive
Clinton Township, MI 48036

ECO-MATE PIN CONTACT,
STAMPED, 4.0mm², 2.5mm CONTACT

TTITLE:

ECO-MATE PIN CONTACT, STAMPED, 4.0mm², 2.5mm

DWG NO:

SP12A1xx-10

REV: A2

SH: 1

DF: 1