

6

5

4

3

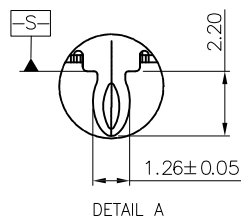
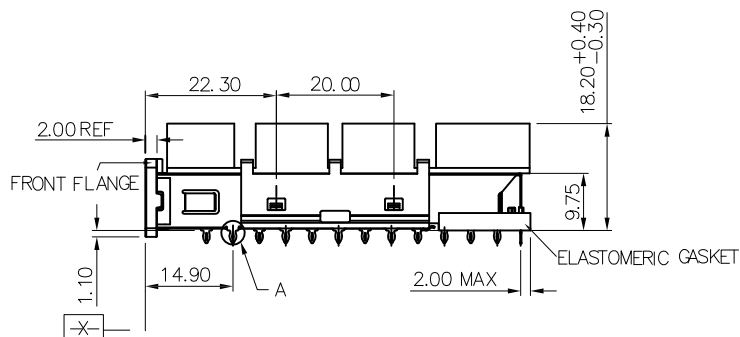
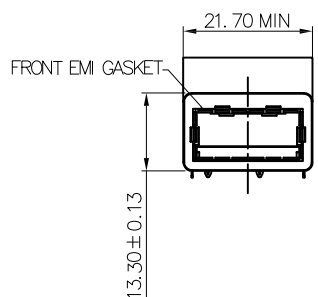
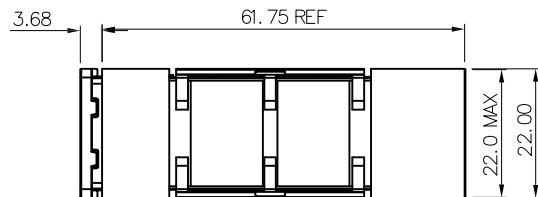
2

1

APPROVED: \_\_\_\_\_

DATE: \_\_\_\_\_ TITLE: \_\_\_\_\_

Rev	AWO #	Description	Date	Appr
-		RELEASED	5/28/21	



SPECIFICATIONS:

- Material:
- Cage: Copper Alloy
- Electrometric Gasket: Conductive Rubber
- Cage Rear EMI Gasket: Conductive Foam
- Front Flange: Zinc Alloy, Tin over Nickel and Copper flash
- Front EMI Gasket: Copper Alloy, Matte Tin over Nickel underplate overall
- Heat Sink Clip: Copper Alloy
- Heat Sink: Nickel plated
- Temperature Rating:
- Operating temperature: -40°C to +85°C
- Environmental:
- Lead free, RoHS compliant



UNLESS OTHERWISE SPECIFIED ALL DIMENSIONS ARE MILLIMETERS. TOLERANCES: EXCEPT AS NOTED		
mm	Angles ±2°	
.X	± .25	
.XX	± .13	
.XXX	± .10	
DRAWN	WX	5/28/21
CHECKED	RC	5/28/21
APPROVED		
THIS DRAWING CONTAINS INFORMATION THAT IS PROPRIETARY AND SHOULD NOT BE USED WITHOUT PRIOR WRITTEN PERMISSION FROM ADAM TECH		

**ADAM TECH** 909 Rahway Avenue, Union, NJ 07083  
Phone: 908-687-5000 Fax: 908-687-5710

TITLE		REV.
10 GIGABIT SMALL FORM FACTOR CAGE, 1PORT DIP TYPE, EMI CLIP W/ GASKET, W/ HEAT SINK		-
SIZE	PART NO.	
X	XFC-1-CS5-EMI-HSK	
REF: S00005C	SCALE: NTS	SHEET 1 OF 2

6

5

4

3

2

1

6

5

4

3

2

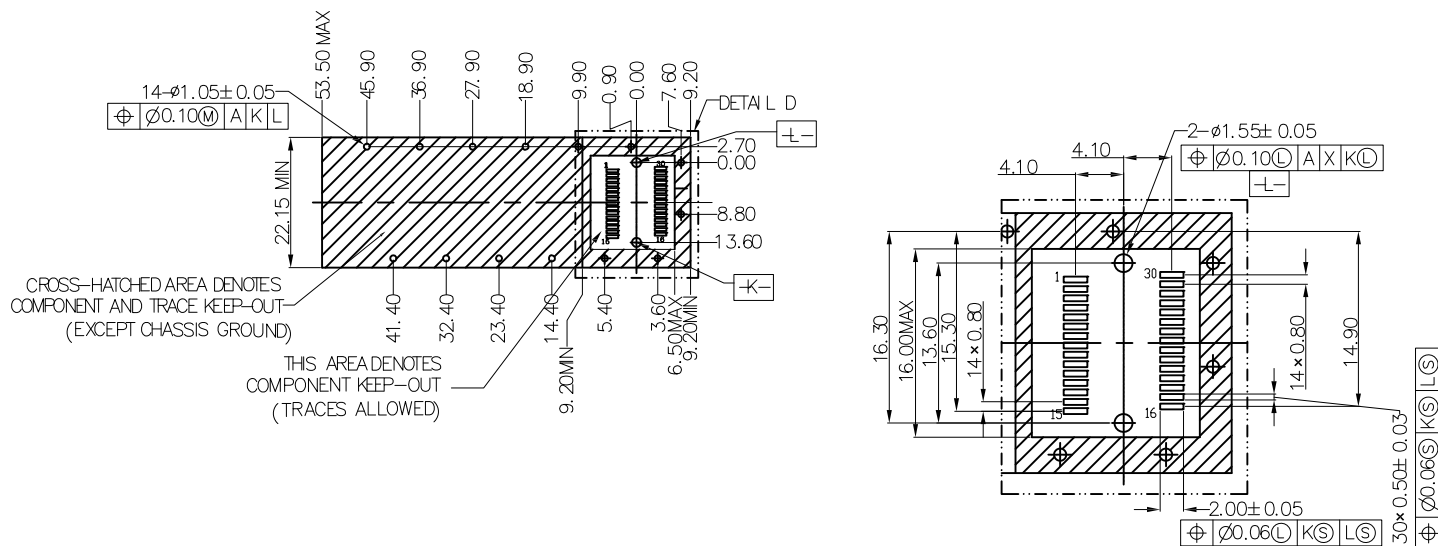
1

APPROVED: \_\_\_\_\_

DATE: \_\_\_\_\_ TITLE: \_\_\_\_\_

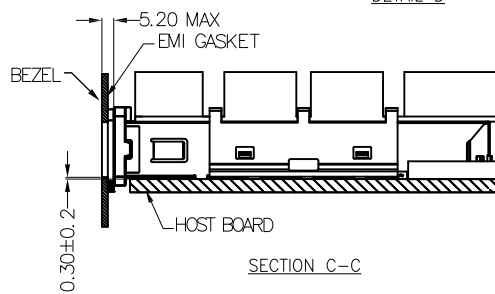
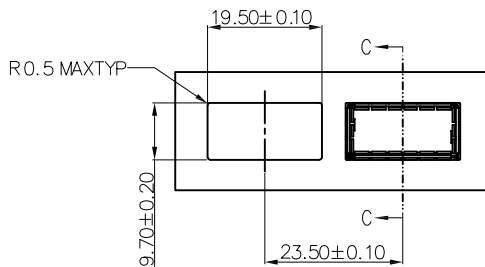
Rev	AWO #	Description	Date	Appr
-----	-------	-------------	------	------

SEE SHT 1 OF 2 FOR REVISION



CROSS-HATCHED AREA DENOTES COMPONENT AND TRACE KEEP-OUT (EXCEPT CHASSIS GROUND)

THIS AREA DENOTES COMPONENT KEEP-OUT (TRACES ALLOWED)



UNLESS OTHERWISE SPECIFIED ALL DIMENSIONS ARE MILLIMETERS. TOLERANCES: EXCEPT AS NOTED

mm		Angles
.X	± .25	±2°
.XX	± .13	
.XXX	± .10	

DRAWN	WX	5/28/21
CHECKED	RC	5/28/21
APPROVED		

THIS DRAWING CONTAINS INFORMATION THAT IS PROPRIETARY AND SHOULD NOT BE USED WITHOUT PRIOR WRITTEN PERMISSION FROM ADAM TECH

**ADAM TECH**

909 Rahway Avenue,  
Union, NJ 07083  
Phone: 908-687-5000  
Fax: 908-687-5710

TITLE	10 GIGABIT SMALL FORM FACTOR CAGE, 1PORT DIP TYPE, EMI CLIP W/ GASKET, W/ HEAT SINK		
SIZE	PART NO.	REV.	
X	XFC-1-CS5-EMI-HSK	-	
REF: S00005C	SCALE: NTS	SHEET 2 OF 2	

6

5

4

3

2

1