

MFG. ENG.	APPROVED BY:	DATE:	QA	APPROVED BY:	DATE:
-----------	--------------	-------	----	--------------	-------

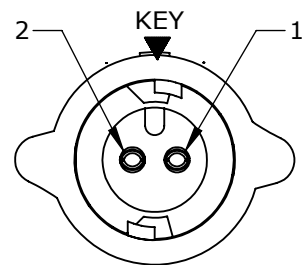
ASS'Y P/N	CONTACT QTY.	CABLE O.D. RANGE
W16282-2SG-P-311	2	0.09 - 0.14 [2.3 - 3.6]
W16282-2SG-P-315	2	0.15 - 0.17 [3.8 - 4.3]
W16282-2SG-P-318	2	0.18 - 0.20 [4.6 - 5.1]
W16282-3SG-P-311	3	0.09 - 0.14 [2.3 - 3.6]
W16282-3SG-P-315	3	0.15 - 0.17 [3.8 - 4.3]
W16282-3SG-P-318	3	0.18 - 0.20 [4.6 - 5.1]
W16282-XSG-P-3XX		

NOTES:

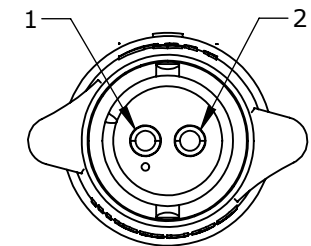
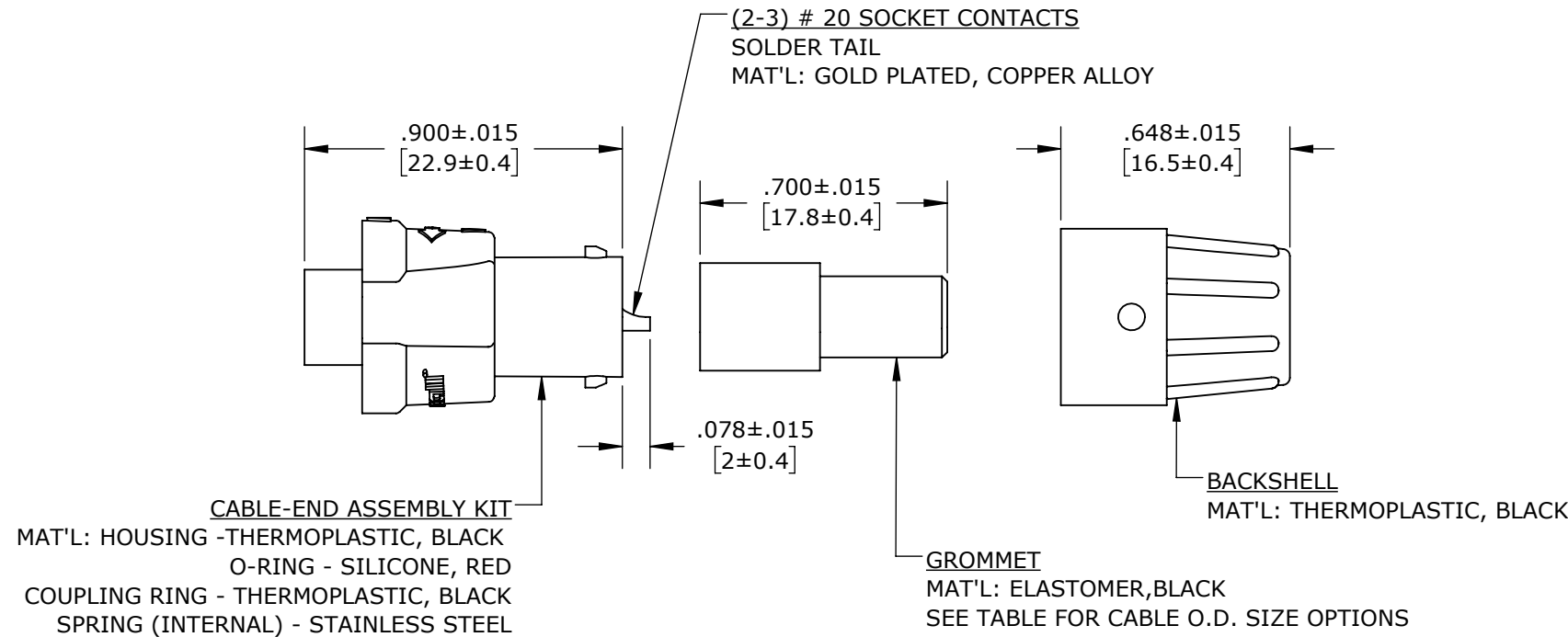
1. ALL PARTS ARE BULK PACKED.
2. REFER TO DRAWING HPMCSTD FOR CONTACT PATTERNS.
3. ALL DIMENSIONS ARE REFERENCE ONLY IN INCHES [mm], WITHIN ±0.015 UNLESS OTHERWISE NOTED.

OF CONTACTS

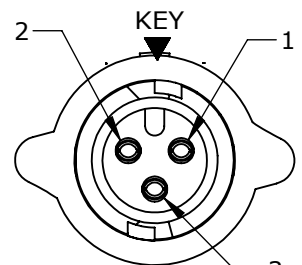
GROMMET SIZE = CABLE O.D. RANGE:
 311 = 0.09 - 0.14 [2.3 - 3.6]
 315 = 0.15 - 0.17 [3.8 - 4.3]
 318 = 0.18 - 0.20 [4.6 - 5.1]



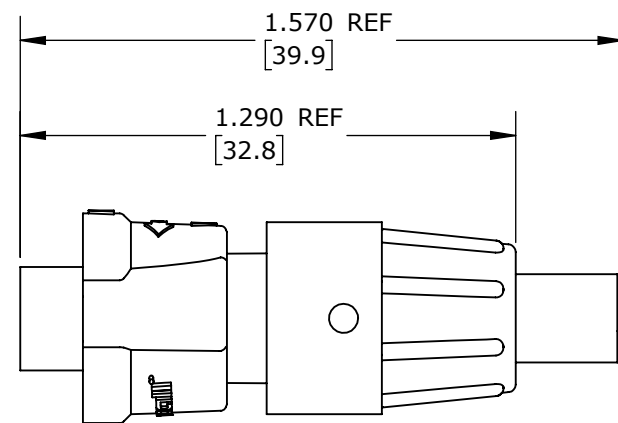
FACE VIEW
W16282-2SG-P-3XX



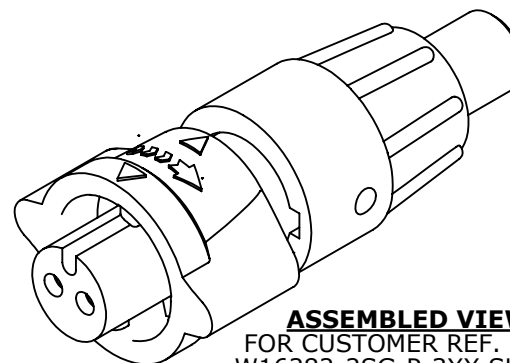
WIRING VIEW
W16282-2SG-P-3XX



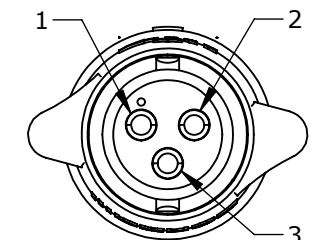
FACE VIEW
W16282-3SG-P-3XX



ASSEMBLED VIEW
FOR CUSTOMER REF. ONLY



ASSEMBLED VIEW
FOR CUSTOMER REF. ONLY
W16282-2SG-P-3XX SHOWN



WIRING VIEW
W16282-3SG-P-3XX

CUSTOMER APPROVAL

THIS DOCUMENT CONTAINS CONFIDENTIAL INFORMATION PROPRIETARY TO CONXALL CORPORATION. ANY REPRODUCTION, DISCLOSURE, OR USE OF THIS DOCUMENT /INFORMATION IS EXPRESSLY PROHIBITED UNLESS AUTHORIZED IN WRITING BY CONXALL CORPORATION.

APPROVED BY: _____
DATE: _____

DIMENSIONS IS BRACKETS [] ARE METRIC

RoHS COMPLIANT

PRELIMINARY

0A	JGK	09/06/19	DRAWING CREATED FOR PDR #18004.		
REV.	INIT.	DATE	DESCRIPTION		
			ALL INFORMATION ILLUSTRATED IS THE PROPERTY OF "CONXALL CORPORATION." UNAUTHORIZED DUPLICATION OR DISTRIBUTION OF THIS DOCUMENT IS PROHIBITED. ALL UNITS ARE IN FEET, INCHES, FRACTION OF INCHES AND DECIMALS. UNLESS OTHERWISE SPECIFIED TOLERANCES: 3 PLACE DECIMALS ±.005 ANGLES ±1° FRACTIONS ±1/16 ▽ - CRITICAL CHARACTERISTIC FLAG PER SPEC. XXXX	ORIG. DRAWN BY: JGK DATE: 9/06/19 CHECKED BY: APPROVED BY:	 601 E. WILDWOOD VILLA PARK, IL 60181 TITLE: CABLE-END ASSEMBLY 2-3 #20 SOCKET CONTACTS, SOLDER INSTA-CLICK, MICRO-CON-X STANDARD PRODUCT CUSTOMER:
SCALE	SIZE	SHEET			
NTS	B	1 OF 1			
FILE:	DIRECTORY:	PART NUMBER:	REV		
W16282-XSG-P-3XX	SLW	W16282-XSG-P-3XX	0A		

CUSTOMER PRINT

PART NUMBER: W16282-XSG-P-3XX