

12-Bit, 600Mps, High-Dynamic-Performance DAC with LVDS Inputs

General Description

The MAX5889 advanced 12-bit, 600Mps, digital-to-analog converter (DAC) meets the demanding performance requirements of signal synthesis applications found in wireless base stations and other communications applications. Operating from 3.3V and 1.8V supplies, the MAX5889 DAC supports update rates of 600Mps using high-speed LVDS inputs while consuming only 292mW of power and offers exceptional dynamic performance such as 79dBc spurious-free dynamic range (SFDR) at $f_{OUT} = 30\text{MHz}$.

The MAX5889 utilizes a current-steering architecture that supports a 2mA to 20mA full-scale output current range, and produces -2dBm to -22dBm full-scale output signal levels with a double-terminated 50 Ω load. The MAX5889 features an integrated 1.2V bandgap reference and control amplifier to ensure high-accuracy and low-noise performance. A separate reference input (REFIO) allows for the use of an external reference source for optimum flexibility and improved gain accuracy.

The MAX5889 digital inputs accept LVDS voltage levels, and the flexible clock input can be driven differentially or single-ended, AC- or DC-coupled. The MAX5889 is available in a 68-pin QFN package with an exposed paddle (EP) and is specified for the extended (-40°C to +85°C) temperature range.

Refer to the MAX5891 and MAX5890 data sheets for pin-compatible 16-bit and 14-bit versions of the MAX5889.

Applications

Base Stations: Single-Carrier UMTS, CDMA, GSM

Communications: Fixed Broadband Wireless Access, Point-to-Point Microwave

Direct Digital Synthesis (DDS)

Cable Modem Termination Systems (CMTS)

Automated Test Equipment (ATE)

Instrumentation

Selector Guide

PART	RESOLUTION (BITS)	UPDATE RATE (Mps)	LOGIC INPUT
MAX5889	12	600	LVDS
MAX5890	14	600	LVDS
MAX5891	16	600	LVDS

Features

- ◆ 600Mps Output Update Rate
- ◆ Low-Noise Spectral Density: -157dBFS/Hz at $f_{OUT} = 36\text{MHz}$
- ◆ Excellent SFDR and IMD Performance
 - SFDR = 79dBc at $f_{OUT} = 30\text{MHz}$ (to Nyquist)
 - SFDR = 67dBc at $f_{OUT} = 130\text{MHz}$ (to Nyquist)
 - IMD = -95dBc at $f_{OUT} = 30\text{MHz}$
 - IMD = -70dBc at $f_{OUT} = 130\text{MHz}$
- ◆ ACLR = 72dB at $f_{OUT} = 122.88\text{MHz}$
- ◆ 2mA to 20mA Full-Scale Output Current
- ◆ LVDS-Compatible Digital Inputs
- ◆ On-Chip 1.2V Bandgap Reference
- ◆ Low 292mW Power Dissipation at 600Mps
- ◆ Compact (10mm x 10mm) QFN-EP Package
- ◆ Evaluation Kit Available (MAX5891EVKIT)

Ordering Information

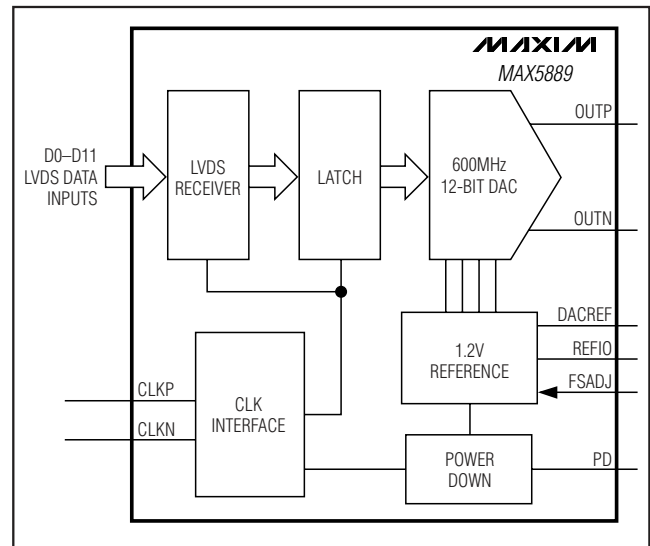
PART	TEMP RANGE	PIN-PACKAGE	PKG CODE
MAX5889EGK-D	-40°C to +85°C	68 QFN-EP*	G6800-4
MAX5889EGK+D	-40°C to +85°C	68 QFN-EP*	G6800-4

*EP = Exposed paddle.

D = Dry pack.

+Denotes lead-free package.

Functional Diagram



Pin Configuration appears at end of data sheet.

12-Bit, 600MSPs, High-Dynamic-Performance DAC with LVDS Inputs

ABSOLUTE MAXIMUM RATINGS

AV _{DD1.8} , DV _{DD1.8} to AGND, DGND, DACREF, and CGND	-0.3V to +2.16V
AV _{DD3.3} , DV _{DD3.3} , AV _{CLK} to AGND, DGND, DACREF, and CGND	-0.3V to +3.9V
REF _{IO} , FS _{ADJ} to AGND, DACREF, DGND, and CGND	-0.3V to (AV _{DD3.3} + 0.3V)
OUT _P , OUT _N to AGND, DGND, DACREF, and CGND	-1.2V to (AV _{DD3.3} + 0.3V)
CLK _P , CLK _N to AGND, DGND, DACREF, and CGND	-0.3V to (AV _{CLK} + 0.3V)
PD to AGND, DGND, DACREF, and CGND	-0.3V to (DV _{DD3.3} + 0.3V)

Digital Data Inputs (D _{0N} –D _{11N} , D _{0P} –D _{11P}) to AGND, DGND, DACREF, and CGND	-0.3V to (DV _{DD1.8} + 0.3V)
Continuous Power Dissipation (T _A = +70°C) (Note 1)	68-Pin QFN-EP (derate 28.6mW/°C above +70°C)....3333mW
Thermal Resistance θ_{JA} (Note 1)	24°C/W
Operating Temperature Range	-40°C to +85°C
Junction Temperature	+150°C
Storage Temperature Range	-60°C to +150°C
Lead Temperature (soldering, 10s)	+300°C

Note 1: Thermal resistance based on a multilayer board with 4 x 4 via array in exposed paddle area.

Stresses beyond those listed under "Absolute Maximum Ratings" may cause permanent damage to the device. These are stress ratings only, and functional operation of the device at these or any other conditions beyond those indicated in the operational sections of the specifications is not implied. Exposure to absolute maximum rating conditions for extended periods may affect device reliability.

ELECTRICAL CHARACTERISTICS

(AV_{DD3.3} = DV_{DD3.3} = AV_{CLK} = 3.3V, AV_{DD1.8} = DV_{DD1.8} = 1.8V, external reference V_{REF_{IO}} = 1.2V, output load 50 Ω double-terminated, transformer-coupled output, I_{OUT} = 20mA, T_A = -40°C to +85°C, unless otherwise noted. Specifications at T_A \geq +25°C are guaranteed by production testing. Specifications at T_A < +25°C are guaranteed by design and characterization. Typical values are at T_A = +25°C.)

PARAMETER	SYMBOL	CONDITIONS	MIN	TYP	MAX	UNITS
STATIC PERFORMANCE						
Resolution				12		Bits
Integral Nonlinearity	INL	Measured differentially		± 0.25		LSB
Differential Nonlinearity	DNL	Measured differentially		± 0.15		LSB
Offset Error	OS		-0.02	0.001	+0.02	%FS
Full-Scale Gain Error	GE _{FS}	External reference	-4	± 1	+4	%FS
Gain-Drift Tempco		Internal reference		± 130		ppm/°C
		External reference		± 100		
Full-Scale Output Current	I _{OUT}		2		20	mA
Output Compliance		Single-ended	-1.0		+1.1	V
Output Resistance	R _{OUT}			1		M Ω
Output Capacitance	C _{OUT}			5		pF
Output Leakage Current		PD = high, power-down mode		± 1		μ A
DYNAMIC PERFORMANCE						
Maximum DAC Update Rate			600			MSPs
Minimum DAC Update Rate				1		MSPs
Noise Spectral Density	N	f _{CLK} = 500MHz, -12dBFS, 20MHz offset from the carrier	f _{OUT} = 36MHz, A _{FULL-SCALE} = -3.5dBm	-157		dBFS/Hz
			f _{OUT} = 151MHz, A _{FULL-SCALE} = -6.4dBm	-152		

12-Bit, 600Mps, High-Dynamic-Performance DAC with LVDS Inputs

MAX5889

ELECTRICAL CHARACTERISTICS (continued)

(AVDD3.3 = DVDD3.3 = AVCLK = 3.3V, AVDD1.8 = DVDD1.8 = 1.8V, external reference VREFIO = 1.2V, output load 50Ω double-terminated, transformer-coupled output, IOUT = 20mA, TA = -40°C to +85°C, unless otherwise noted. Specifications at TA ≥ +25°C are guaranteed by production testing. Specifications at TA < +25°C are guaranteed by design and characterization. Typical values are at TA = +25°C.)

PARAMETER	SYMBOL	CONDITIONS		MIN	TYP	MAX	UNITS	
Spurious-Free Dynamic Range to Nyquist	SFDR	fCLK = 200MHz, 0dBFS	fOUT = 16MHz		88		dBc	
			fOUT = 30MHz		85			
		fCLK = 200MHz, -12dBFS	fOUT = 16MHz		78			
			fOUT = 30MHz		77			
		fCLK = 500MHz, 0dBFS	fOUT = 16MHz	76	81			
			fOUT = 30MHz		80			
fOUT = 130MHz			71					
Two-Tone IMD	TTIMD	fCLK = 500MHz	fOUT1 = 29MHz, fOUT2 = 30MHz, -6.5dBFS per tone		-95		dBc	
			fOUT1 = 129MHz, fOUT2 = 130MHz, -6.5dBFS per tone		-70			
Adjacent Channel Leakage Power Ratio	ACLR	WCDMA single carrier	fCLK = 491.52MHz, fOUT = 30.72MHz		80		dB	
			fCLK = 491.52MHz, fOUT = 122.88MHz		72			
		WCDMA four carriers	fCLK = 491.52MHz, fOUT = 30.72MHz		72			
			fCLK = 491.52MHz, fOUT = 122.88MHz		67			
Output Bandwidth	BW-1dB	(Note 2)			1000		MHz	
REFERENCE								
Internal Reference Voltage Range	VREFIO			1.14	1.2	1.26	V	
Reference Input Voltage Range	VREFIOCR	Using external reference		0.10	1.2	1.32	V	
Reference Input Resistance	RREFIO				10		kΩ	
Reference Voltage Temperature Drift	TCOREF				±30		ppm/°C	
ANALOG OUTPUT TIMING (Figure 3)								
Output Fall Time	tFALL	90% to 10% (Note 3)			0.4		ns	
Output Rise Time	tRISE	10% to 90% (Note 3)			0.4		ns	
Output Propagation Delay	tPD	Reference to data latency (Note 3)			2.5		ns	
Output Settling Time		To 0.025% of the final value (Note 3)			11		ns	

12-Bit, 600Mps, High-Dynamic-Performance DAC with LVDS Inputs

ELECTRICAL CHARACTERISTICS (continued)

(AVDD3.3 = DVDD3.3 = AVCLK = 3.3V, AVDD1.8 = DVDD1.8 = 1.8V, external reference VREFIO = 1.2V, output load 50Ω double-terminated, transformer-coupled output, I_{OUT} = 20mA, T_A = -40°C to +85°C, unless otherwise noted. Specifications at T_A ≥ +25°C are guaranteed by production testing. Specifications at T_A < +25°C are guaranteed by design and characterization. Typical values are at T_A = +25°C.)

PARAMETER	SYMBOL	CONDITIONS	MIN	TYP	MAX	UNITS
Glitch Impulse		Measured differentially		1		pV•s
Output Noise	N _{OUT}	I _{OUT} = 2mA		30		pA/√Hz
		I _{OUT} = 20mA		30		
TIMING CHARACTERISTICS						
Input Data Rate					600	MWps
Data Latency				5.5		Clock cycles
Data to Clock Setup Time	t _{SETUP}	Referenced to rising edge of clock (Note 4)	-1.5			ns
Data to Clock Hold Time	t _{HOLD}	Referenced to rising edge of clock (Note 4)	2.6			ns
Clock Frequency	f _{CLK}	CLKP, CLKN			600	MHz
Minimum Clock Pulse-Width High	t _{CH}	CLKP, CLKN		0.6		ns
Minimum Clock Pulse-Width Low	t _{CL}	CLKP, CLKN		0.6		ns
Turn-On Time	t _{SHDN}	External reference, PD falling edge to output settle within 1%		350		μs
CMOS LOGIC INPUT (PD)						
Input Logic High	V _{IH}		0.7 x DVDD3.3			V
Input Logic Low	V _{IL}		0.3 x DVDD3.3			V
Input Current	I _{IN}		-10	±1.8	+10	μA
Input Capacitance	C _{IN}		3			pF
LVDS INPUTS						
Differential Input High	V _{IHLVDS}	(Notes 6, 7, 8)	+100		+1000	mV
Differential Input Low	V _{ILLVDS}	(Notes 6, 7, 8)	-1000		-100	mV
Internal Common-Mode Bias	V _{ICMLVDS}		1.125		1.375	V
Differential Input Resistance	R _{IDLVDS}		110			Ω
Common-Mode Input Resistance	R _{ICMLVDS}		3.2			kΩ
Input Capacitance	C _{INLVDS}		3			pF
DIFFERENTIAL CLOCK INPUTS (CLKP, CLKN)						
Clock Common-Mode Voltage		CLKP and CLKN are internally biased	AVCLK / 2			V
Minimum Differential Input Voltage Swing			0.5			V _{P-P}
Minimum Common-Mode Voltage			1			V
Maximum Common-Mode Voltage			1.9			V

12-Bit, 600Mps, High-Dynamic-Performance DAC with LVDS Inputs

MAX5889

ELECTRICAL CHARACTERISTICS (continued)

(AVDD3.3 = DVDD3.3 = AVCLK = 3.3V, AVDD1.8 = DVDD1.8 = 1.8V, external reference VREFIO = 1.2V, output load 50Ω double-terminated, transformer-coupled output, IOUT = 20mA, TA = -40°C to +85°C, unless otherwise noted. Specifications at TA ≥ +25°C are guaranteed by production testing. Specifications at TA < +25°C are guaranteed by design and characterization. Typical values are at TA = +25°C.)

PARAMETER	SYMBOL	CONDITIONS	MIN	TYP	MAX	UNITS
Input Resistance	RCLK	Single-ended		5		kΩ
Input Capacitance	CCLK			3		pF
POWER SUPPLIES						
Analog Supply Voltage Range	AVDD3.3		3.135	3.3	3.465	V
	AVDD1.8		1.710	1.8	1.890	
Clock Supply Voltage Range	AVCLK		3.135	3.3	3.465	V
Digital Supply Voltage Range	DVDD3.3		3.135	3.3	3.465	V
	DVDD1.8		1.710	1.8	1.890	
Analog Supply Current	IAVDD3.3	fCLK = 100MHz, fOUT = 16MHz		26.5		mA
		fCLK = 500MHz, fOUT = 16MHz		26.5	28.5	
		fCLK = 600MHz, fOUT = 16MHz		26.5		
	IAVDD1.8	fCLK = 100MHz, fOUT = 16MHz		11.3		
		fCLK = 500MHz, fOUT = 16MHz		50	58	
		fCLK = 600MHz, fOUT = 16MHz		60		
Clock Supply Current	IAVCLK	fCLK = 100MHz, fOUT = 16MHz		2.8		mA
		fCLK = 500MHz, fOUT = 16MHz		2.8	3.6	
		fCLK = 600MHz, fOUT = 16MHz		2.8		
Digital Supply Current	IDVDD3.3	fCLK = 100MHz, fOUT = 16MHz		0.2		mA
		fCLK = 500MHz, fOUT = 16MHz		0.2	0.5	
		fCLK = 600MHz, fOUT = 16MHz		0.2		
	IDVDD1.8	fCLK = 100MHz, fOUT = 16MHz		10.2		
		fCLK = 500MHz, fOUT = 16MHz		42	48	
		fCLK = 600MHz, fOUT = 16MHz		48		
Total Power Dissipation	PDISS	fCLK = 100MHz, fOUT = 16MHz		137		mW
		fCLK = 500MHz, fOUT = 16MHz		263	297	
		fCLK = 600MHz, fOUT = 16MHz		292		
		Power-down, clock static low, data input static		13		μW
Power-Supply Rejection Ratio	PSRR	(Note 5)		±0.025		%FS

Note 2: This parameter does not include update-rate-dependent effects of sin(x)/x filtering inherent in the MAX5889.

Note 3: Parameter measured single-ended with 50Ω double-terminated outputs.

Note 4: Not production tested. Guaranteed by design.

Note 5: Parameter defined as the change in midscale output caused by a ±5% variation in the nominal supply voltages.

Note 6: Not production tested. Guaranteed by design.

Note 7: Differential input voltage defined as VD_P - VD_N.

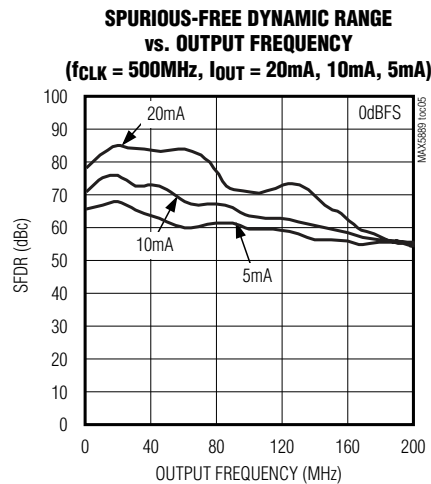
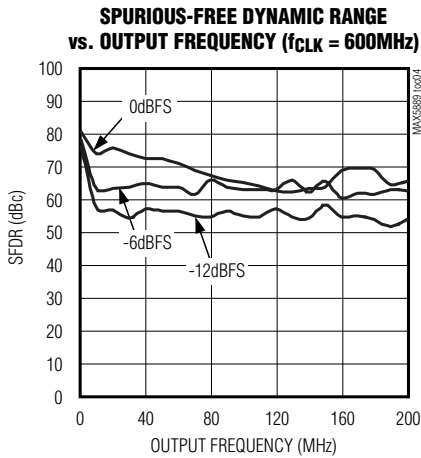
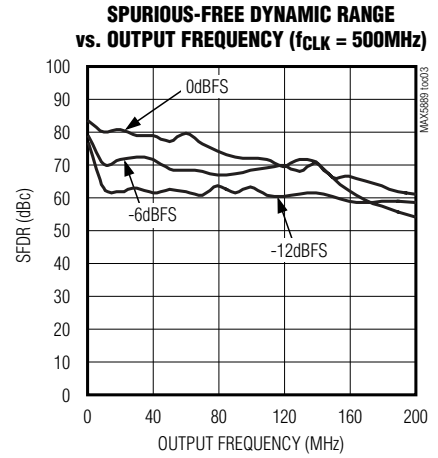
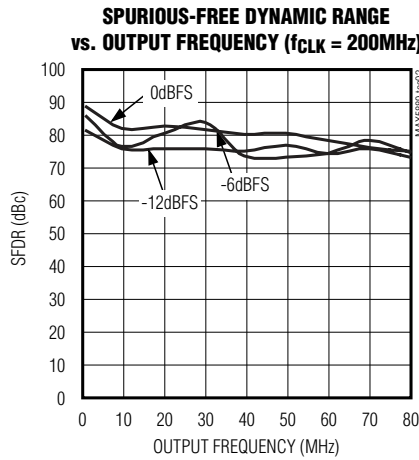
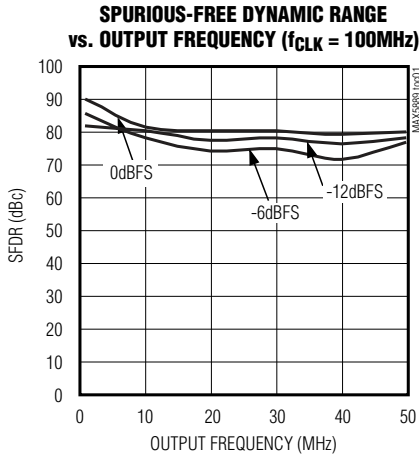


Note 8: Combination of logic-high/low and common-mode voltages must not exceed absolute maximum rating for D_P/D_N inputs.

12-Bit, 600Mps, High-Dynamic-Performance DAC with LVDS Inputs

Typical Operating Characteristics

(AVDD3.3 = DVDD3.3 = AVCLK = 3.3V, AVDD1.8 = DVDD1.8 = 1.8V, external reference VREFIO = 1.2V, output load 50Ω double-terminated, transformer-coupled output, IOUT = 20mA, TA = +25°C, unless otherwise noted.)



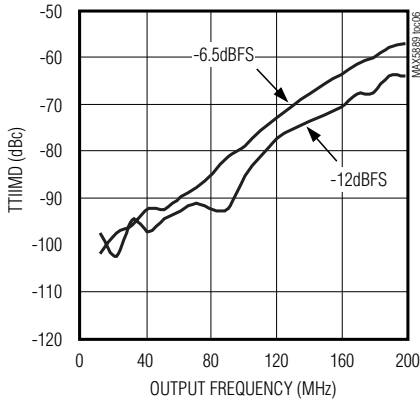
12-Bit, 600Mps, High-Dynamic-Performance DAC with LVDS Inputs

MAX5889

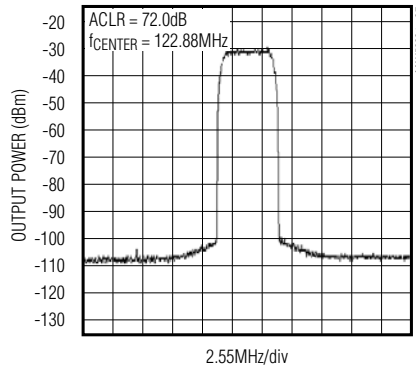
Typical Operating Characteristics (continued)

($AV_{DD3.3} = DV_{DD3.3} = AV_{CLK} = 3.3V$, $AV_{DD1.8} = DV_{DD1.8} = 1.8V$, external reference $V_{REFIO} = 1.2V$, output load 50Ω double-terminated, transformer-coupled output, $I_{OUT} = 20mA$, $T_A = +25^\circ C$, unless otherwise noted.)

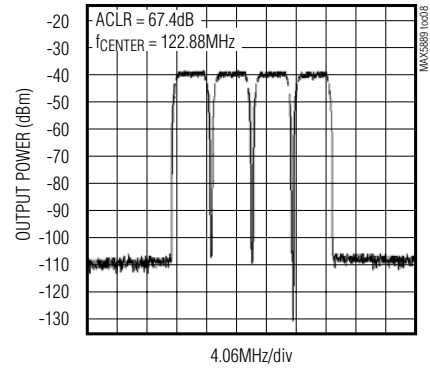
TWO-TONE INTERMODULATION DISTORTION vs. OUTPUT FREQUENCY
($f_{CLK} = 500MHz$, 1MHz CARRIER SPACING)



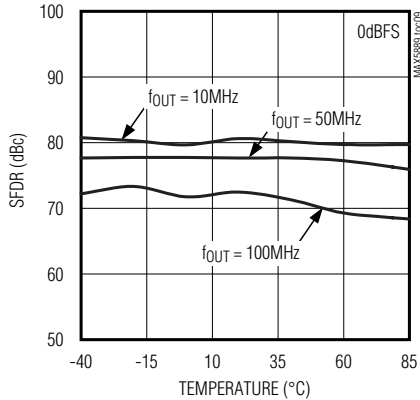
SINGLE-CARRIER WCDMA ACLR
($f_{CLK} = 491.52MHz$)



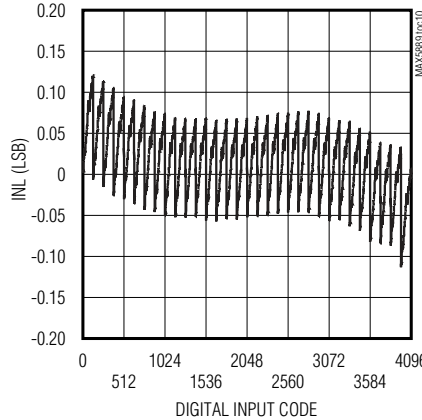
FOUR-CARRIER WCDMA ACLR
($f_{CLK} = 491.52MHz$)



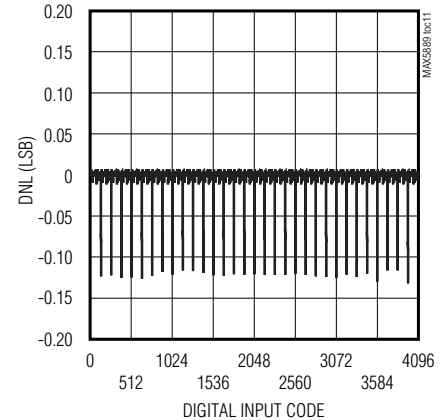
SPURIOUS-FREE DYNAMIC RANGE vs. TEMPERATURE
($f_{CLK} = 500MHz$)



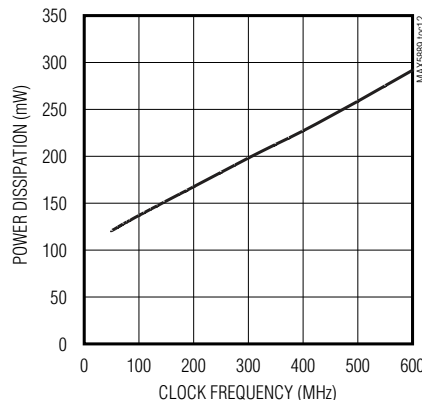
INTEGRAL NONLINEARITY



DIFFERENTIAL NONLINEARITY



TOTAL POWER DISSIPATION vs. CLOCK FREQUENCY
($f_{OUT} = 16MHz$, $A_{OUT} = 0dBFS$)



12-Bit, 600Mps, High-Dynamic-Performance DAC with LVDS Inputs

Pin Description

PIN	NAME	FUNCTION
1, 46, 48, 50, 52, 54, 56, 58, 60, 63, 65, 67	D0N, D11N, D10N, D9N, D8N, D7N, D6N, D5N, D4N, D3N, D2N, D1N	Differential Negative LVDS Inputs. Data bits D0–D11 (offset binary format).
2–9	N.C.	No Connection. Leave floating or connect to DGND.
10	DGND	Digital Ground. Ground return for DV _{DD3.3} and DV _{DD1.8} .
11	DV _{DD3.3}	Digital Supply Voltage. Accepts a 3.135V to 3.465V supply voltage range. Bypass with a 0.1µF capacitor to DGND.
12	PD	Power-Down Input. Set PD high to force the DAC into power-down mode. Set PD low for normal operation. PD has an internal 2µA pulldown.
13, 42, 43, 44	N.C.	No Connection. Leave floating or connect to AGND.
14, 21, 22, 25, 26, 31, 32	AV _{DD3.3}	Analog Supply Voltage. Accepts a 3.135V to 3.465V supply voltage range. Bypass with a 0.1µF capacitor to AGND.
15, 20, 23, 24, 27, 30, 33	AGND	Analog Ground. Ground return for AV _{DD3.3} and AV _{DD1.8} .
16	REFIO	Reference I/O. Output of the internal 1.2V precision bandgap reference. Bypass with a 0.1µF capacitor to AGND. REFIO can be driven with an external reference source.
17	FSADJ	Full-Scale Current Adjustment. Connect an external resistor R _{SET} between FSADJ and DACREF to set the output full-scale current. The output full-scale current is equal to 32 x V _{REF} / R _{SET} .
18	DACREF	Current-Set Resistor Return Path. Internally connected to ground, but do not use as ground connection.
19, 34, 35	AV _{DD1.8}	Analog Supply Voltage. Accepts a 1.71V to 1.89V supply voltage range. Bypass with a 0.1µF capacitor to AGND.
28	OUTN	Complementary DAC Output. Negative terminal for current output.
29	OUTP	DAC Output. Positive terminal for current output.
36, 41	AV _{CLK}	Clock Supply Voltage. Accepts a 3.135V to 3.465V supply voltage range. Bypass with a 0.1µF capacitor to CGND.
37, 40	CGND	Clock Supply Ground
38	CLKN	Complementary Converter Clock Input. Negative input terminal for differential converter clock.
39	CLKP	Converter Clock Input. Positive input terminal for differential converter clock.
45, 47, 49, 51, 53, 55, 57, 59, 62, 64, 66, 68	D11P, D10P, D9P, D8P, D7P, D6P, D5P, D4P, D3P, D2P, D1P, D0P	Differential Positive LVDS Inputs. Data bits D0–D11 (offset binary format).
61	DV _{DD1.8}	Digital Supply Voltage. Accepts a 1.71V to 1.89V supply voltage range. Bypass with a 0.1µF capacitor to DGND.
—	EP	Exposed Pad. Must be connected to common point for AGND, DGND, and CGND through a low-impedance path. EP is internally connected to AGND, DGND, and CGND.

12-Bit, 600MSPS, High-Dynamic-Performance DAC with LVDS Inputs

MAX5889

Detailed Description

Architecture

The MAX5889 high-performance, 12-bit, current-steering DAC (see the *Functional Diagram*) operates with DAC update rates up to 600MSPS. The current-steering array generates differential full-scale currents in the 2mA to 20mA range. An internal current-switching network, in combination with external 50Ω termination resistors, converts the differential output currents into a differential output voltage with a 0.1V to 1V peak-to-peak output voltage range. The analog outputs have a -1.0V to +1.1V voltage compliance. For applications requiring high dynamic performance, use the differential output configuration and limit the output voltage swing to ±0.5V at each output. An integrated 1.2V bandgap reference, control amplifier, and user-selectable external resistor determine the data converter's full-scale output range.

Reference Architecture and Operation

The MAX5889 operates with the internal 1.2V bandgap reference or an external reference voltage source. REFIO serves as the input for an external, low-impedance reference source or as a reference output when the DAC operates in internal reference mode. For stable operation with the internal reference, bypass REFIO to AGND with a 0.1μF capacitor. The REFIO output resistance is 10kΩ. Buffer REFIO with a high-input-impedance amplifier when using it as a reference source for external circuitry.

The MAX5889's reference circuit (Figure 1) employs a control amplifier to regulate the full-scale current, I_{OUTFS}, for the differential current outputs of the DAC. Calculate the output current as follows:

$$I_{OUTFS} = 32 \times \frac{V_{REFIO}}{R_{SET}} \times \left(1 - \frac{1}{2^{12}}\right)$$

where I_{OUTFS} is the full-scale output current of the DAC. R_{SET} (located between FSADJ and DACREF) determines the amplifier's full-scale output current for the DAC. See Table 1 for a matrix of different I_{OUTFS} and R_{SET} selections.

Table 1. I_{OUTFS} and R_{SET} Selection Matrix Based on a Typical 1.200V Reference Voltage

FULL-SCALE CURRENT I _{OUTFS} (mA)	R _{SET} (kΩ)	
	CALCULATED	1% EIA STD
2	19.2	19.1
5	7.68	7.5
10	3.84	3.83
15	2.56	2.55
20	1.92	1.91

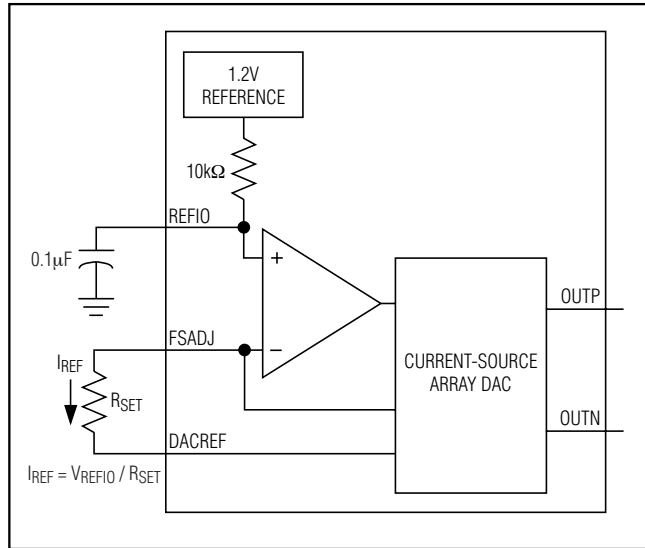


Figure 1. Reference Architecture, Internal Reference Configuration

Analog Outputs (OUP, OUTN)

The complementary current outputs (OUP, OUTN) can be connected in a single-ended or differential configuration. A load resistor converts these two output currents into complementary single-ended output voltages. A transformer or a differential amplifier converts the differential voltage existing between OUP and OUTN to a single-ended voltage. When not using a transformer, terminate each output with a 25Ω resistor to ground and a 50Ω resistor between the outputs.

To generate a single-ended output, select OUP as the output and connect OUTN to AGND. Figure 2 shows a simplified diagram of the internal output structure of the MAX5889.

12-Bit, 600Mps, High-Dynamic-Performance DAC with LVDS Inputs

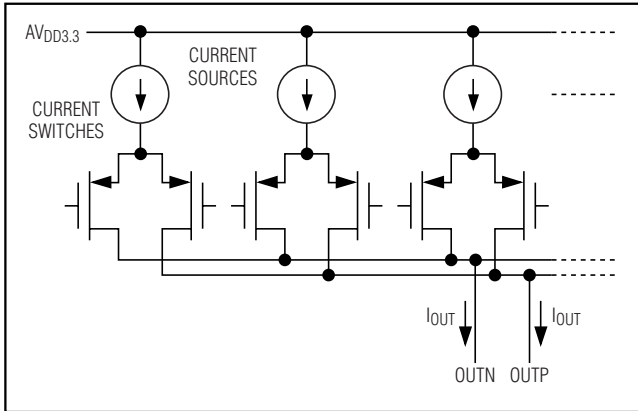


Figure 2. Simplified Analog Output Structure

Clock Inputs (CLKP, CLKN)

To achieve the best possible jitter performance, the MAX5889 features flexible differential clock inputs (CLKP, CLKN) that operate from a separate clock power supply (AV_{CLK}). Drive the differential clock inputs from a single-ended or a differential clock source. For highest dynamic performance, differential clock source is required. For single-ended operation, drive CLKP and bypass CLKN to CGND.

CLKP and CLKN are internally biased at $AV_{CLK} / 2$, allowing the AC-coupling of clock sources directly to the device without external resistors to define the DC level. The input resistance from CLKP and CLKN to ground is approximately $5k\Omega$.

Data-Timing Relationship

Figure 3 shows the timing relationship between digital LVDS data, clock, and output signals. The MAX5889 features a 2ns hold, a -1.2ns setup, and a 2.5ns propagation delay time. There is a 5.5 clock-cycle latency between data write operation and the corresponding analog output transition.

LVDS Data Inputs

The MAX5889 has 12 pairs of LVDS data inputs (offset binary format) and can accept data rates up to 600MWps. Each differential input pair is terminated with an internal 110Ω resistor. The common-mode input resistance is $3.2k\Omega$.

Power-Down Operation (PD)

The MAX5889 features a power-down mode that reduces the DAC's power consumption. Set PD high to power down the MAX5889. Set PD low or leave unconnected for normal operation.

When powered down, the MAX5889 overall power consumption is reduced to less than $13\mu W$. The MAX5889 requires $350\mu s$ to wake up from power-down and enter a fully operational state if the external reference is used. If the internal reference is used, the power-down recovery time is 10ms. The PD internal pulldown circuit sets the MAX5889 in normal mode when PD is left unconnected.

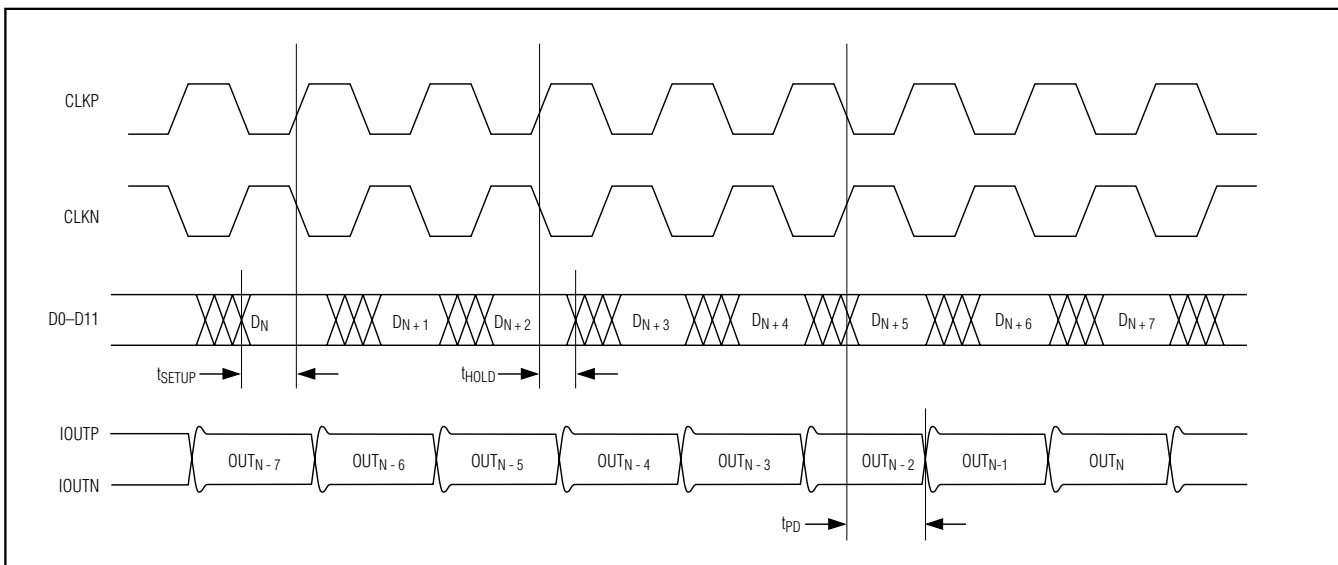


Figure 3. Timing Relationship Between Clock, Input Data, and Analog Output

12-Bit, 600Mps, High-Dynamic-Performance DAC with LVDS Inputs

Applications Information

Clock Interface

To achieve the best possible jitter performance, the MAX5889 features flexible differential clock inputs (CLKP, CLKN) that operate from a separate clock power supply (AVCLK). Use a low-jitter clock to reduce the DAC's phase noise and wideband noise. To achieve the best DAC dynamic performance, the CLKP/CLKN input source must be designed carefully. The differential clock (CLKN and CLKP) input can be driven from a single-ended or a differential clock source. Use differential clock drive to achieve the best dynamic performance from the DAC. For single-ended operation, drive CLKP with a low-noise source and bypass CLKN to CGND with a 0.1μF capacitor.

Figure 4 shows a convenient and quick way of applying a differential signal created from a single-ended source using a wideband transformer. Alternatively, drive CLKP/CLKN from a CMOS-compatible clock source. Use sine wave or AC-coupled differential ECL/PECL drive for best dynamic performance.

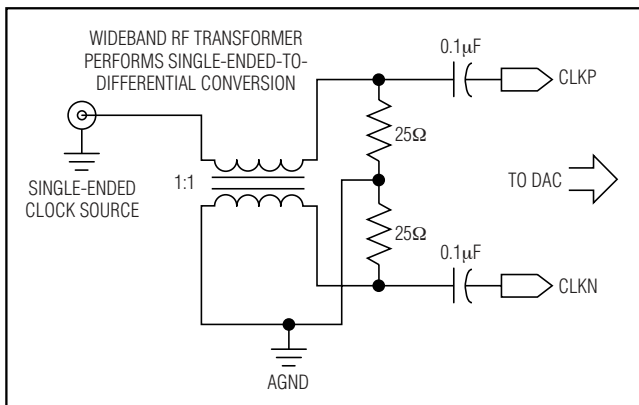


Figure 4. Differential Clock-Signal Generation

Differential Output Coupling Using a Wideband RF Transformer

Use a pair of transformers (Figure 5) or a differential amplifier configuration to convert the differential voltage existing between OUTP and OUTN to a single-ended voltage. Optimize the dynamic performance by using a differential transformer-coupled output and limit the output power to <0dBm full scale. To achieve the best dynamic performance, use the differential transformer configuration. Terminate the DAC as shown in Figure 5, and use 50Ω termination at the transformer single-ended output. This provides double 50Ω termination for the DAC output network. With the double-terminated output and 20mA full-scale current, the DAC produces a full-scale signal level of approximately -2dBm. Pay close attention to the transformer core saturation characteristics when selecting a transformer for the MAX5889. Transformer core saturation can introduce strong 2nd-order harmonic distortion especially at low output frequencies and high signal amplitudes. For best results, connect the center tap of the transformer to ground. When not using a transformer, terminate each DAC output to ground with a 25Ω resistor. Additionally, place a 50Ω resistor between the outputs (Figure 6).

For a single-ended unipolar output, select OUTP as the output and connect OUTN to AGND. Operating the MAX5889 single-ended is not recommended because it degrades the dynamic performance.

The distortion performance of the DAC depends on the load impedance. The MAX5889 is optimized for 50Ω differential impedance. Using higher termination impedance degrades distortion performance and increases output noise voltage.

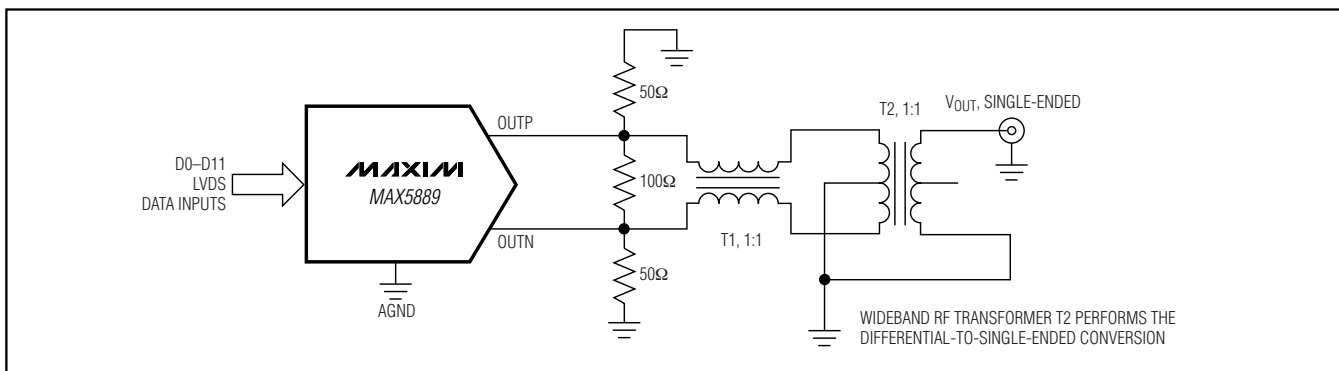


Figure 5. Differential-to-Single-Ended Conversion Using a Wideband RF Transformer

12-Bit, 600Mps, High-Dynamic-Performance DAC with LVDS Inputs

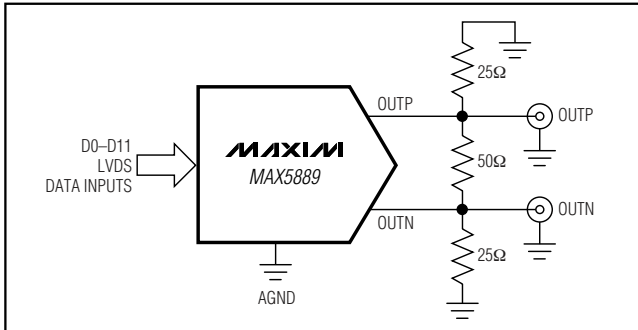


Figure 6. Differential Output Configuration

Grounding, Bypassing, and Power-Supply Considerations

Grounding and power-supply decoupling strongly influence the MAX5889 performance. Unwanted digital crosstalk coupling through the input, reference, power supply, and ground connections affects dynamic performance. High-speed, high-frequency applications require closely followed proper grounding and power-supply decoupling. These techniques reduce EMI and internal crosstalk that can significantly affect the MAX5889 dynamic performance.

Use a multilayer printed circuit (PC) board with separate ground and power-supply planes. Run high-speed signals on lines directly above the ground plane. Keep digital signals as far away from sensitive analog inputs and outputs, reference input sense lines, common-mode inputs, and clock inputs as practical. Use a symmetric design of clock input and the analog output lines to minimize 2nd-order harmonic distortion components, thus optimizing the DAC's dynamic performance. Keep digital signal paths short and run lengths matched to avoid propagation delay and data skew mismatches.

The MAX5889 requires five separate power-supply inputs for analog (AVDD1.8 and AVDD3.3), digital (DVDD1.8 and DVDD3.3), and clock (AVCLK) circuitry. Decouple each AVDD3.3, AVDD1.8, AVCLK, DVDD3.3, and DVDD1.8 input with a separate 0.1μF capacitor as close to the device as possible with the shortest possible connection to the respective ground plane (Figure 7). Connect all the 3.3V supplies together at one point with ferrite beads to minimize supply noise coupling. Decouple all five power-supply voltages at the point they enter the PC board with tantalum or electrolytic capacitors. Ferrite beads with additional decoupling capacitors forming a pi network can also improve performance. Similarly, connect all 1.8V supplies together at one point with ferrite beads.

The analog and digital power-supply inputs AVDD3.3, AVCLK, and DVDD3.3 allow a 3.135V to 3.465V supply voltage range. The analog and digital power-supply inputs AVDD1.8 and DVDD1.8 allow a 1.71V to 1.89V supply voltage range.

The MAX5889 is packaged in a 68-pin QFN-EP package with exposed paddle, providing optimized DAC AC performance. The exposed pad must be soldered to the ground plane of the PC board. Thermal efficiency is not the key factor, since the MAX5889 features low-power operation. The exposed pad ensures a solid ground connection between the DAC and the PC board's ground layer.

The data converter die attaches to an EP lead frame with the back of this frame exposed at the package bottom surface, facing the PC board side of the package. This allows for a solid attachment of the package to the PC board with standard infrared (IR) reflow soldering techniques. A specially created land pattern on the PC board, matching the size of the EP (6mm x 6mm), ensures the proper attachment and grounding of the DAC. Place vias into the land area and implement

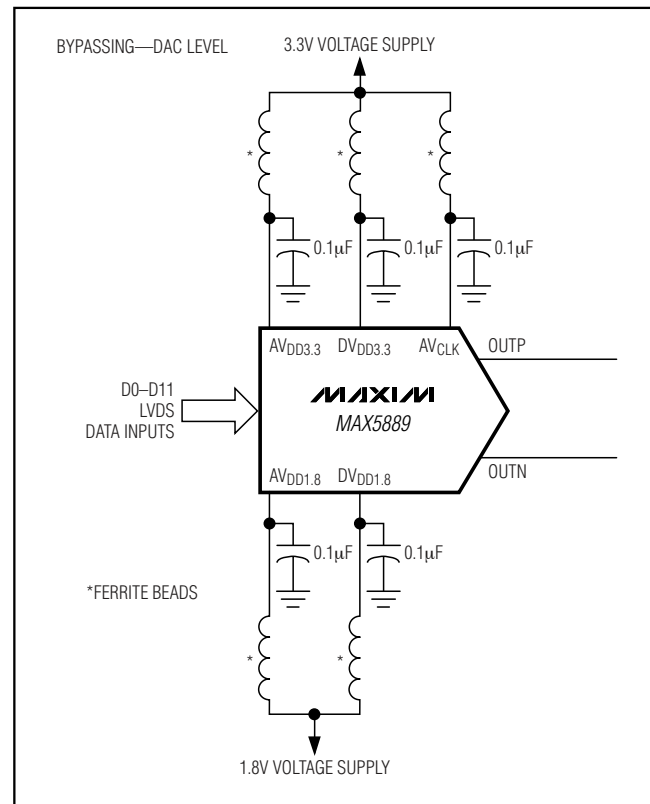


Figure 7. Recommended Power-Supply Decoupling and Bypassing Circuitry

12-Bit, 600Mps, High-Dynamic-Performance DAC with LVDS Inputs

MAX5889

large ground planes in the PC board design to ensure the highest dynamic performance of the DAC. Connect the MAX5889 exposed paddle to the common connection point of DGND, AGND, and CGND. Vias connect the top land pattern to internal or external copper planes. Use as many vias as possible to the ground plane to minimize inductance. The vias should have a diameter greater than 0.3mm.

Static Performance Parameter Definitions

Integral Nonlinearity (INL)

Integral nonlinearity is the deviation of the values on an actual transfer function from a line drawn between the end points of the transfer function, once offset and gain errors have been nullified. For a DAC, the deviations are measured at every individual step.

Differential Nonlinearity (DNL)

Differential nonlinearity is the difference between an actual step height and the ideal value of 1 LSB.

Offset Error

The offset error is the difference between the ideal and the actual offset current. For a DAC, the offset point is the average value at the output for the two midscale digital input codes with respect to the full scale of the DAC. This error affects all codes by the same amount.

Gain Error

A gain error is the difference between the ideal and the actual full-scale output voltage on the transfer curve, after nullifying the offset error. This error alters the slope of the transfer function and corresponds to the same percentage error in each step.

Settling Time

The settling time is the amount of time required from the start of a transition until the DAC output settles its new output value to within the converter's specified accuracy.

Glitch Impulse

A glitch is generated when a DAC switches between two codes. The largest glitch is usually generated around the midscale transition, when the input pattern transitions from 011...111 to 100...000. The glitch impulse is found by integrating the voltage of the glitch at the midscale transition over time. The glitch impulse is usually specified in pV•s.

Dynamic Performance Parameter Definitions

Signal-to-Noise Ratio (SNR)

For a waveform perfectly reconstructed from digital samples, the theoretical maximum SNR is the ratio of the full-scale analog output (RMS value) to the RMS quantization error (residual error). The ideal, theoretical maximum can be derived from the DAC's resolution (N bits):

$$\text{SNR} = 6.02 \times N + 1.76$$

However, noise sources such as thermal noise, reference noise, clock jitter, etc., affect the ideal reading; therefore, SNR is computed by taking the ratio of the RMS signal to the RMS noise, which includes all spectral components minus the fundamental, the first four harmonics, and the DC offset.

Noise Spectral Density

The DAC output noise floor is the sum of the quantization noise and the output amplifier noise (thermal and shot noise). Noise spectral density is the noise power in 1Hz bandwidth, specified in dBFS/Hz.

Spurious-Free Dynamic Range (SFDR)

SFDR is the ratio of RMS amplitude of the carrier frequency (maximum signal components) to the RMS value of their next-largest distortion component. SFDR is usually measured in dBc and with respect to the carrier frequency amplitude or in dBFS with respect to the DAC's full-scale range. Depending on its test condition, SFDR is observed within a predefined window or to Nyquist.

Two-Tone Intermodulation Distortion (IMD)

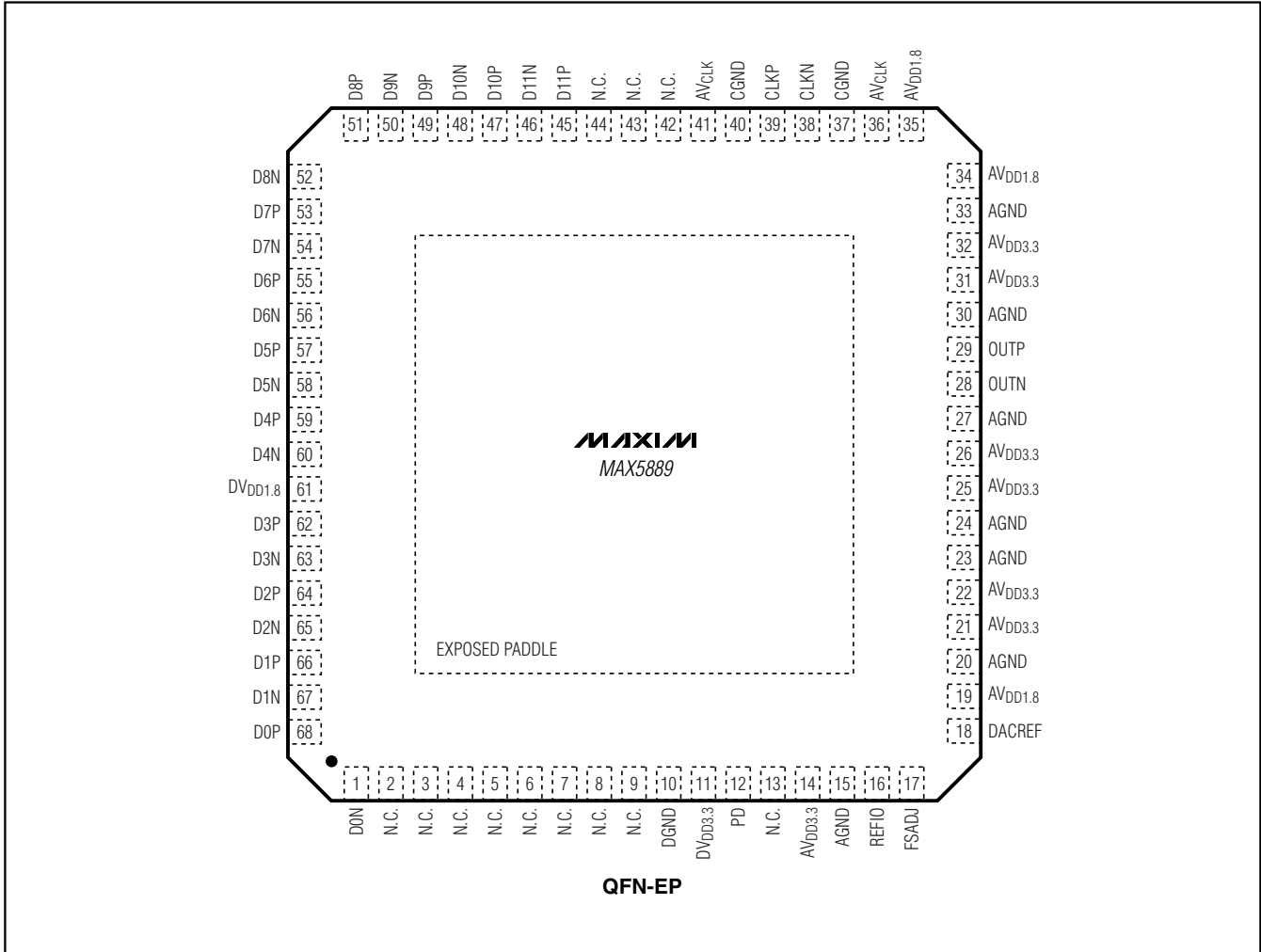
The two-tone IMD is the ratio expressed in dBc (or dBFS) of the worst 3rd-order IMD differential product to either output tone. The two-tone IMD performance of the MAX5889 is tested with the two individual output tone levels set to at least -6.5dBFS.

Adjacent Channel Leakage Power Ratio (ACLR)

Commonly used in combination with wideband code-division multiple-access (WCDMA), ACLR reflects the leakage power ratio in dB between the measured power within a channel relative to its adjacent channel. ACLR provides a quantifiable method of determining out-of-band spectral energy and its influence on an adjacent channel when a bandwidth-limited RF signal passes through a nonlinear device.

12-Bit, 600Mps, High-Dynamic-Performance DAC with LVDS Inputs

Pin Configuration

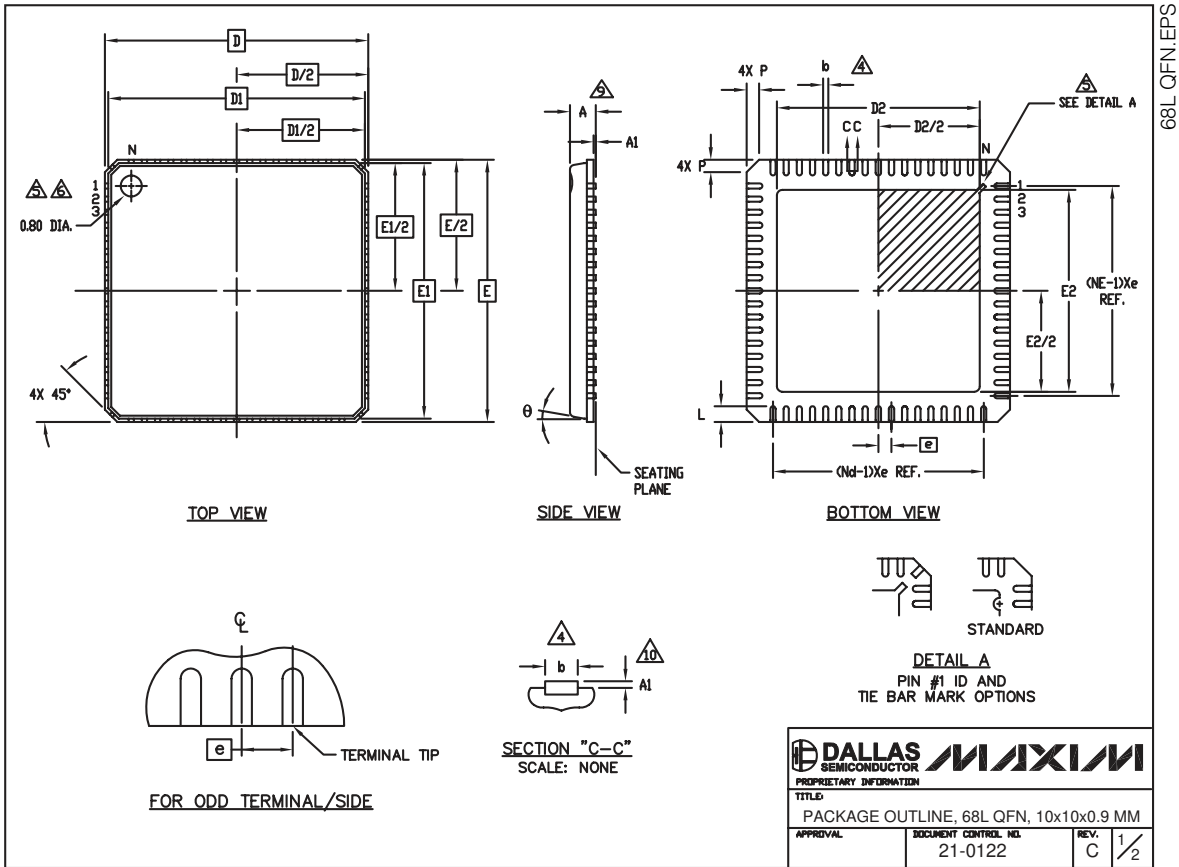


12-Bit, 600Mps, High-Dynamic-Performance DAC with LVDS Inputs

Package Information

(The package drawing(s) in this data sheet may not reflect the most current specifications. For the latest package outline information, go to www.maxim-ic.com/packages.)

MAX5889



12-Bit, 600Mps, High-Dynamic-Performance DAC with LVDS Inputs

Package Information (continued)

(The package drawing(s) in this data sheet may not reflect the most current specifications. For the latest package outline information, go to www.maxim-ic.com/packages.)

SYMBOL	COMMON DIMENSIONS			NOTE
	MIN.	NOM.	MAX.	
A	—	0.90	1.00	
A1	0.00	0.01	0.05	11
b	0.18	0.23	0.30	4
D	10.00 BSC			
D1	9.75 BSC			
E	0.50 BSC			
E1	10.00 BSC			
E1	9.75 BSC			
L	0.50	0.60	0.65	
N	68			3
Nd	17			3
Ne	17			3
θ	0		12°	
P	0	0.42	0.60	

EXPOSED PAD VARIATIONS						
PKG CODE	D2			E2		
	MIN	NOM	MAX	MIN	NOM	MAX
G6800-2	7.55	7.70	7.85	7.55	7.70	7.85
G6800-4	5.65	5.80	5.95	5.65	5.80	5.95

1. DIE THICKNESS ALLOWABLE IS .012 INCHES MAXIMUM.
2. DIMENSIONING & TOLERANCES CONFORM TO ASME Y14.5M. — 1994.
3. N IS THE NUMBER OF TERMINALS.
Nd IS THE NUMBER OF TERMINALS IN X-DIRECTION &
Ne IS THE NUMBER OF TERMINALS IN Y-DIRECTION.
4. DIMENSION b APPLIES TO PLATED TERMINAL AND IS MEASURED BETWEEN 0.20 AND 0.25mm FROM TERMINAL TIP.
5. THE PIN #1 IDENTIFIER MUST BE LOCATED ON THE TOP SURFACE OF THE PACKAGE BY USING INDENTATION MARK OR OTHER FEATURE OF PACKAGE BODY. DETAILS OF PIN #1 IDENTIFIER IS OPTIONAL, BUT MUST BE LOCATED WITHIN ZONE INDICATED.
EXACT SHAPE AND SIZE OF THIS FEATURE IS OPTIONAL.
7. ALL DIMENSIONS ARE IN MILLIMETERS.
8. PACKAGE WARPAGE MAX 0.10mm.
9. APPLIES TO EXPOSED SURFACE OF PADS AND TERMINALS
10. APPLIES ONLY TO TERMINALS.
11. MEETS JEDEC MO-220.

DALLAS SEMICONDUCTOR		MAXIM	
PROPRIETARY INFORMATION			
TITLE			
PACKAGE OUTLINE, 68L QFN, 10x10x0.9 MM			
APPROVAL	DOCUMENT CONTROL NO.	REV.	
	21-0122	C	1/2

Revision History

Pages changed at Rev 1: 1-7, 9, 12, 13, 15, 16

Maxim cannot assume responsibility for use of any circuitry other than circuitry entirely embodied in a Maxim product. No circuit patent licenses are implied. Maxim reserves the right to change the circuitry and specifications without notice at any time.

Maxim Integrated Products, 120 San Gabriel Drive, Sunnyvale, CA 94086 408-737-7600 _____ 16