

6

5

4

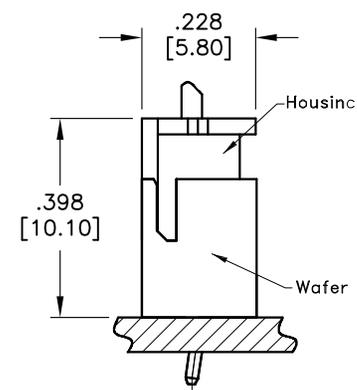
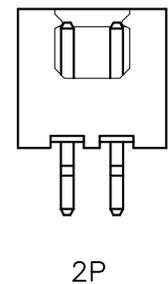
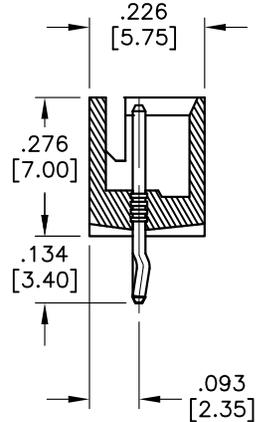
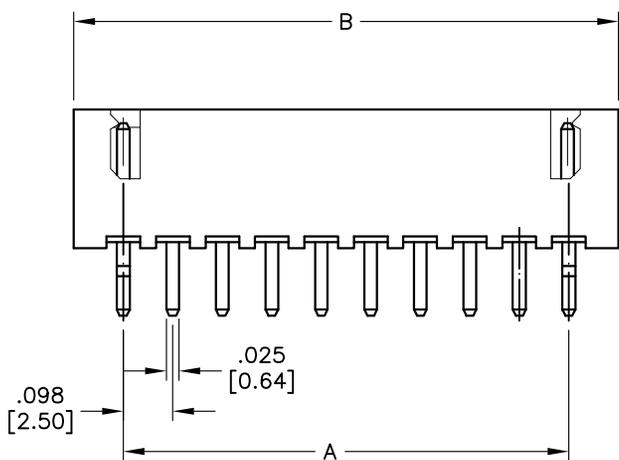
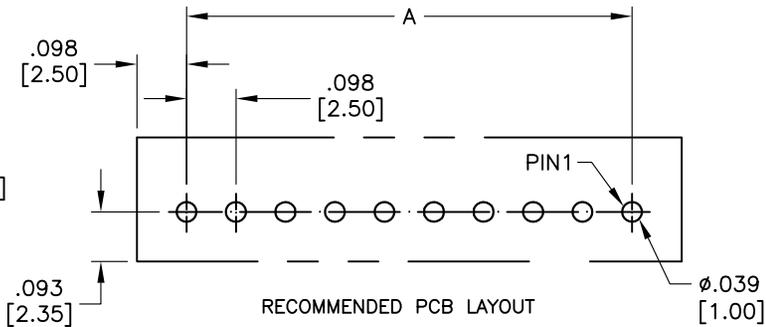
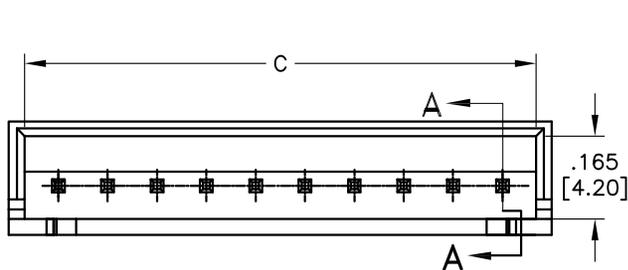
3

2

1

APPROVED: \_\_\_\_\_  
DATE: \_\_\_\_\_ TITLE: \_\_\_\_\_

Rev	AWO #	Description	Date	Appr
-		RELEASED	4/13/06	
A		PART REVISION	4/19/06	
B		ADDED DIM.	8/11/09	
C		UPDATE DRAWING	4/13/18	AY/MY



SPECIFICATIONS:

Material:  
 Insulator: Nylon 66, rated UL 94V-0  
 Insulator color: Natural  
 Contact: Brass  
 Plating:  
 Tin over Nickel underplate overall  
 Electrical:  
 Rated Voltage: 250V AC/DC  
 Rated Current: 3A AC/DC  
 Contact Resistance: 20 mohms max.  
 Insulation resistance: 1,000 Mohms min.  
 Withstand voltage: 1000V AC for 1 minute.  
 Temperature Rating:  
 -25°C to +85°C  
 Environmental:  
 Lead free, RoHS compliant



Positions: 2 thru 20

A = .098 [2.50] x No. of Spaces  
 B = .098 [2.50] x No. of Spaces + .197 [5.00]  
 C = .098 [2.50] x No. of Spaces + .138 [3.50]

UNLESS OTHERWISE SPECIFIED ALL DIMENSIONS ARE INCHES [MM] TOLERANCES: EXCEPT AS NOTED			
INCHES		HOLES	
.X	± .10	Ø.X	± .10
.XX	± .020	Ø.XX	± .015
.XXX	± .015	Ø.XXX	± .010
APPROVALS		DATE	
DRAWN	LFJ	4/13/06	
CHECKED			
APPROVED			

**ADAM**  
**TECH**  
**INTERCONNECTS**

909 Rahway Avenue,  
 Union, NJ 07083  
 Phone: 908-687-5000  
 Fax: 908-687-5710

TITLE WIRE TO BOARD PITCH: 2.5MM WAFER STRAIGHT TYPE W/ KINK			
SIZE X	PART NO. 25SH-B-XX-TS	REV. C	
REF: S00124T	SCALE: NTS	SHEET 1 OF 1	

6

5

4

3

2

1