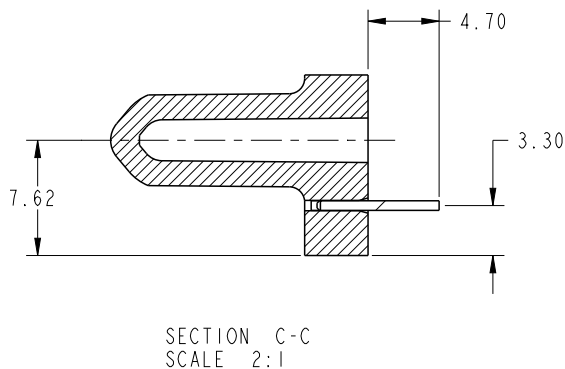
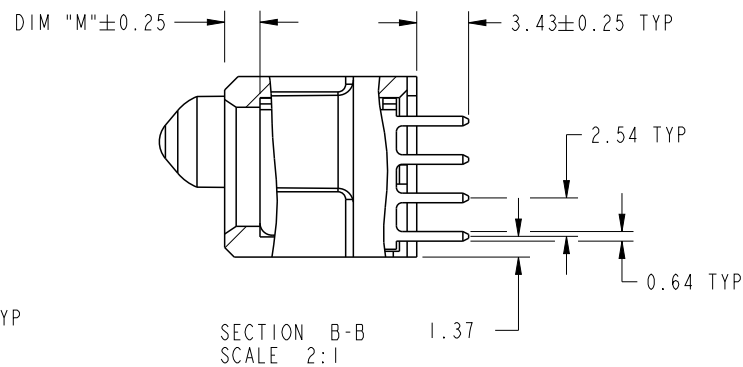
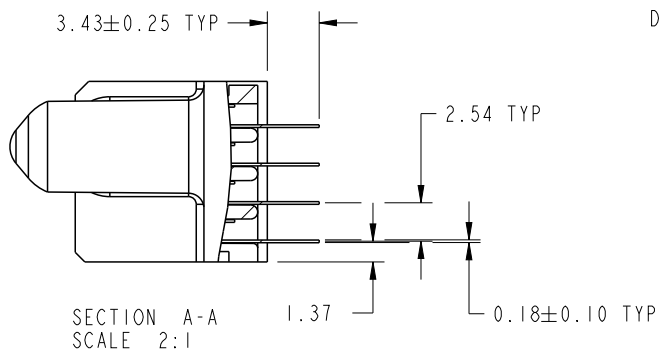




PRODUCT NUMBER

51940-582LF



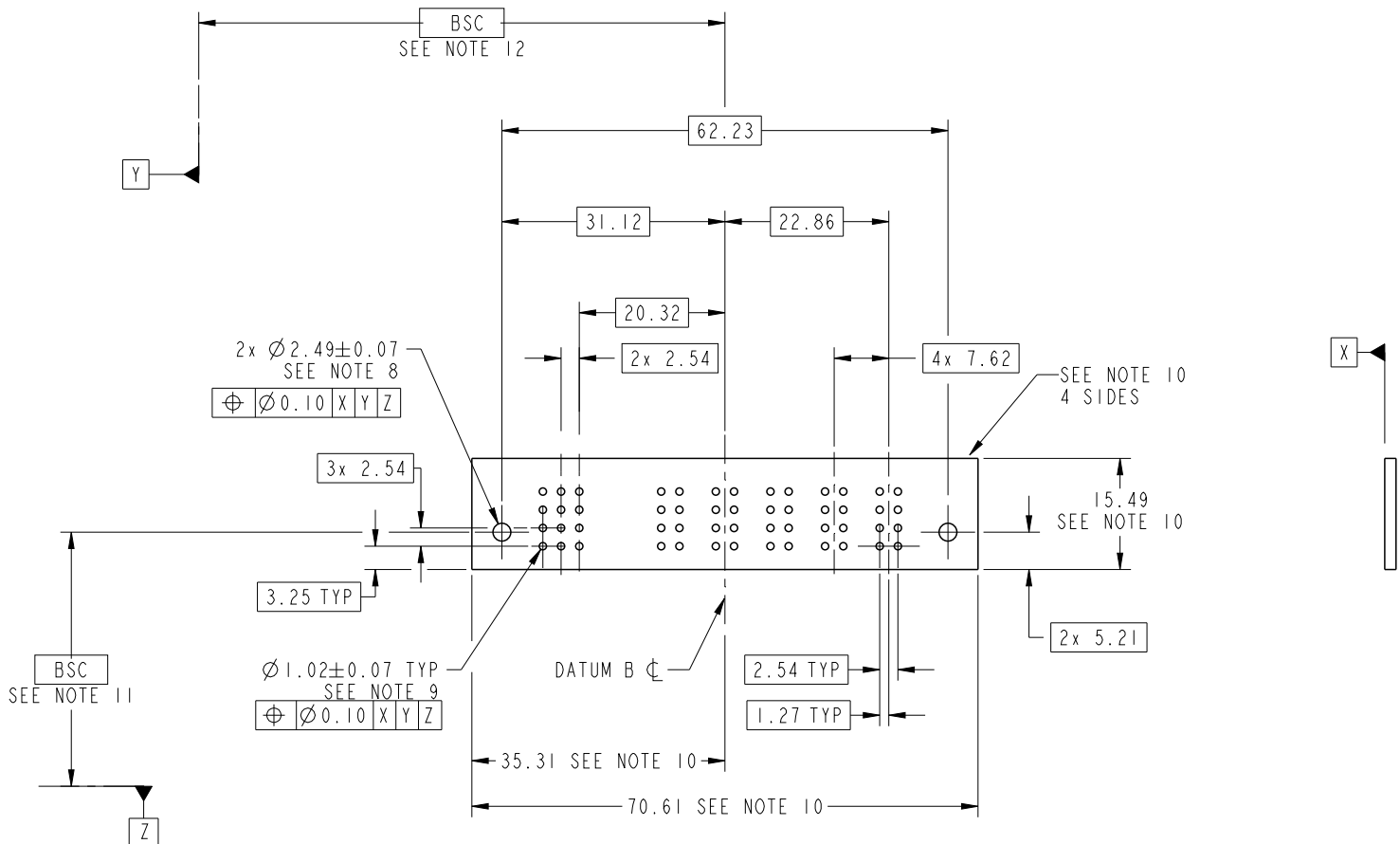
dr	Ruan MT	2015/08/26	projection 	MM 	size	A4	scale	1:1
eng	Ruan MT	2015/09/11			ecn no	-		
chr	Fancy Zhang	2015/09/11			rel level	Released		
appr	Pei-Ming Zheng	2015/09/11	product family	PwrBlade	rev	A		
		title 6ACP + 12S VERTICAL STB RECEIPT	dwg no 51940-582	cat. no. *	Product - Customer Drw	sheet 2 of 4		



Copyright FCI.

PRODUCT NUMBER

51940-582LF



RECOMMENDED PCB LAYOUT

dr	Ruan MT	2015/08/26	projection 	MM 	size	A4	scale	1:1
eng	Ruan MT	2015/09/11			ecn no	-		
chr	Fancy Zhang	2015/09/11			rel level	Released		
appr	Pei-Ming Zheng	2015/09/11	product family	PwrBlade				
		title 6ACP + 12S VERTICAL STB RECEIPT		dwg no 51940-582		rev A		
www.fci.com		cat. no. *		Product - Customer Drw			sheet 3 of 4	



Copyright FCI.

PRODUCT NUMBER

51940-582LF

NOTES:

1. DIMENSIONS AND TOLERANCES ARE IN ACCORDANCE WITH ASME Y14.5M, 1994 UNLESS OTHERWISE SPECIFIED.

CONNECTOR NOTES:

② HOUSING MATERIAL: UL 94 V-0 GLASS FILLED HIGH-TEMP THERMOPLASTIC  
POWER CONTACT MATERIAL: COPPER ALLOY  
SIGNAL PIN MATERIAL: COPPER ALLOY

3. SEE FCI PLATING SPEC 10064183.

④ MANUFACTURER'S NAME, DATE CODE AND OPTIONAL P/N TO APPEAR ON THIS SURFACE. THE MARK CAN BE OMITTED IF THERE IS NOT ENOUGH SPACE ON THIS SURFACE.

5. PRODUCT SPECIFICATION GS-12-149.  
APPLICATION SPECIFICATION BUS-20-067.

6. PACKAGED IN TRAYS.

PCB NOTES:

7. ALL HOLE DIAMETERS ARE FINISHED HOLE SIZE.

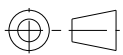
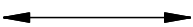

⑧ MOUNTING HOLES, WHERE APPLICABLE, ARE UNPLATED.

⑨  $\varnothing 1.151 \pm 0.025$  DRILLED HOLES PLATED WITH  
0.008 MIN SnPb OR Sn OVER 0.03  
TO 0.08 Cu PLATING TO ACHIEVE  
 $\varnothing 1.02 \pm 0.07$  HOLE.

⑩ CONNECTOR KEEP-OUT ZONE.

11. THE VOID CORING IN BETWEEN POWER MODULES, SIGNAL MODULES AND END MODULES ARE OPTIONAL AND THE SHAPE MAY BE DIFFERENT FOR OPTIMIZE THE MOLDING PROCESS. THE VOID CORING WILL NOT EFFECT TO PRODUCT FUNCTION.

⑫ DATUM AND BASIC DIMENIONS ARE ESTABLISHED BY CUSTOMER.

dr	Ruan MT	2015/08/26	projection 	MM 	size	A4	scale	1:1
eng	Ruan MT	2015/09/11			ecn no	-		
chr	Fancy Zhang	2015/09/11			product family	PwrBlade	rel level	Released
appr	Pei-Ming Zheng	2015/09/11			rev	A		
		title			6ACP + 12S		dwg no	51940-582
www.fci.com		cat. no.			Product - Customer Drw		sheet 4 of 4	
		VERTICAL STB RECEPT						



Copyright FCI.