

Han-Snap Standard Rail Fixing

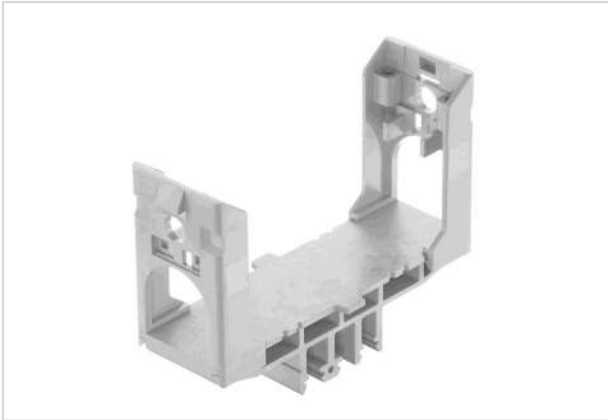


Image is for illustration purposes only. Please refer to product description.

Part number	09 33 000 9989
Specification	Han-Snap Standard Rail Fixing
HARTING eCatalogue	https://b2b.harting.com/09330009989

Identification

Category	Accessories
Series	Han-Snap®
Type of accessory	Insert mounting
Description of the accessory	With carrier element Type 6/24

Version

Pack contents	2 insert mounting parts 1 carrier element
---------------	--

Technical characteristics

Tightening torque	0.8 Nm
Limiting temperature	-40 ... +125 °C
Retention force	≥450 N On rail

Material properties

Material (accessories)	Polycarbonate (PC)
Colour (accessories)	RAL 7032 (pebble grey)
Material flammability class acc. to UL 94	V-0
RoHS	compliant with exemption
RoHS exemptions	6(c): Copper alloy containing up to 4 % lead by weight
ELV status	compliant with exemption
China RoHS	50
REACH Annex XVII substances	Not contained



Pushing Performance
Since 1945

Material properties

REACH ANNEX XIV substances	Not contained
REACH SVHC substances	Yes
REACH SVHC substances	Potassium 1,1,2,2,3,3,4,4,4-nonafluorobutane-1-sulphonate Lead
ECHA SCIP number	b51e5b97-eeb5-438b-8538-f1771d43c17d
California Proposition 65 substances	Yes
California Proposition 65 substances	Lead
Fire protection on railway vehicles	EN 45545-2 (2020-08)
Requirement set with Hazard Levels	R22 (HL 1-3) R23 (HL 1-3)

Specifications and approvals

Specifications	IEC 60068-2-6 Vibration (sinusoidal) IEC 60068-2-27 Shock
----------------	--

Commercial data

Packaging size	10
Net weight	59.574 g
Country of origin	Germany
European customs tariff number	85389099
GTIN	5713140050662
eCl@ss	27440210 Fixing element for industrial connectors