

Material And Finish

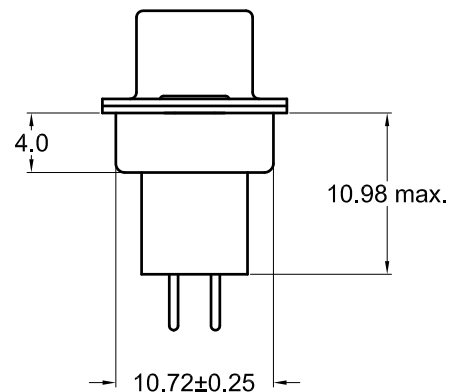
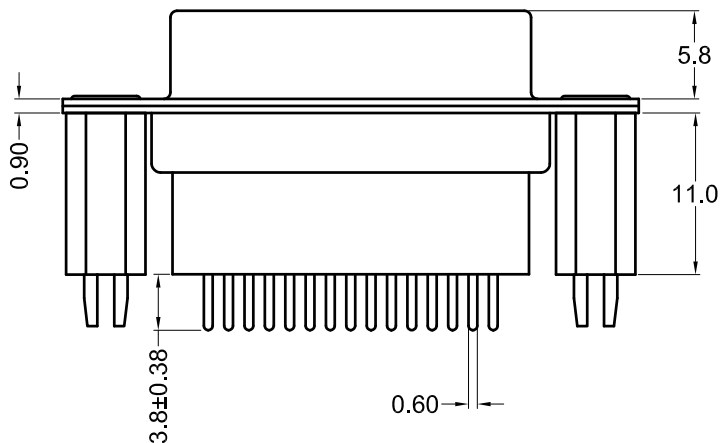
Shell: Steel, Nickel plated
 Insulator: PBT with glass-fiber reinforcement, UL 94V-0 rated, color-black

Contact Material:
 Socket - Phosphor Bronze

- Plating Options:
- (Standard) Gold flash on mating end, tin on termination end with nickel underplate
 - 15: 15 u" Gold on mating end, tin on termination end with nickel underplate
 - 30: 30 u" Gold on mating end, tin on termination end with nickel underplate

Electrical Specifications

- Rated Current: 2A
- Rated Voltage: 30V RMS
- Dielectric Withstanding Voltage: 500 V (rms) AC for 1 minute
- Insulation Resistance: more than 1000 Megohm at 500 V DC
- Contact Resistance: 13 milliohm max.
- Temperature Rating: -55°C to +105°C



boardlocks not shown in this view

Part Number	Contact Area Plating Finish
K88X-AD-15S-BR	Gold Flash (standard option)
K88X-AD-15S-BR15	15u" Gold (15 option)
K88X-AD-15S-BR30	30u" Gold (30 option)

RoHS COMPLIANT



Tolerances
X.X ± 0.25
X.XX ± 0.15
Unless Stated
Otherwise

REV.	DATE	DESCRIPTION	REV. BY	CHK. BY	DRAWN BY	DATE
A1	02/14/06	New Drawing	R. Aguirre	H. MA	R. Aguirre	02/14/06
A2	1/24/08	ECO# 07-052	WILL H.	H. MA		
A3	12/08/10	ECO# 10-091	S. Vien	H. MA		
A4	12/31/17	ECO #17-035	G. Serrato	C. Furumasu		
						UNITS
						mm

K88X-AD-15S-BR

Vertical PCB Mount D-Sub Connector, RoHS Compliant

Precision Formed Contacts, Boardlocks

