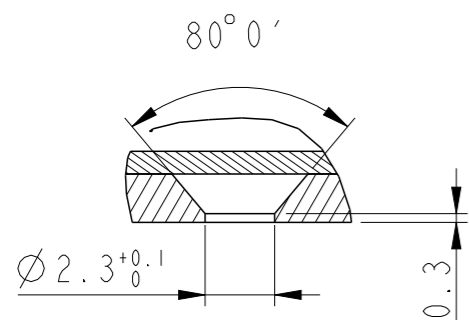
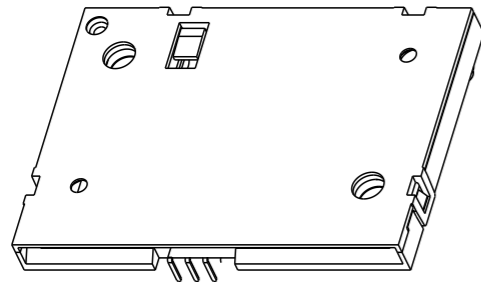
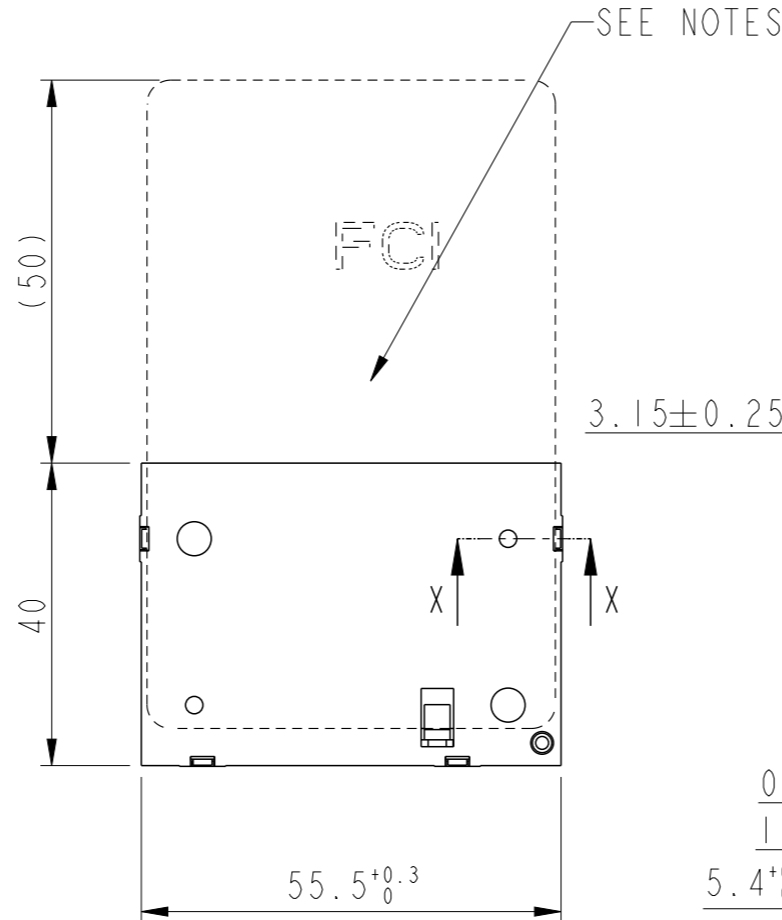


PART NUMBER

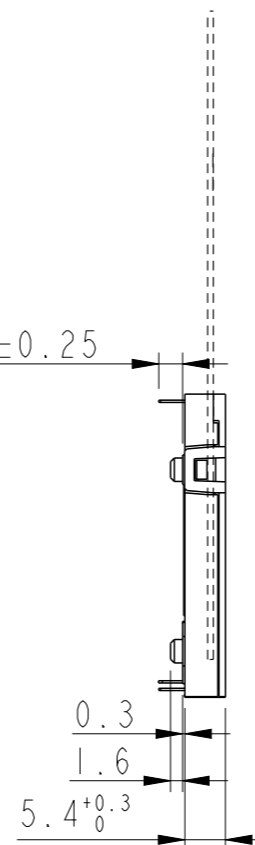
7332E0225S15LF



SECTION X-X
SCALE 4:1



Ø3.1-0.1
⊕ ⊖ Ø0.05



GENERAL :

High cycle life duration smart card connector with semi landing type contacts mechanism.
Smart card for reference purpose only.

ELECTRICAL PROPERTIES :

Insulation resistance : > 1000MΩ
Dielectric withstanding voltage : >750 Vrms
Current carrying capacity : Min 10μA, Max 1A
Contact resistance : < 100mΩ

MECHANICAL PROPERTIES :

Operating force : Insertion : F < 10N
Withdrawal : 1 < F < 10N
Contact normal force : 0.2 < F < 0.5N for 0.6mm of deflection
Durability : 50 000 mating cycles

MATERIAL :

Head reader : Pa4/6, Colour Black, Rated UL94V0
Cover : Pa4/6, Colour Grey, Rated UL94V0
Contacts : Copper alloy
Plating : 2.5μm Nickel min. all over
2μm Gold min. or equivalent PdNi on contact area
3μm matte tin min. on solder tails

ENVIRONMENT :

Operating temperature : -20°C / +70°C
Storage temperature : -40°C / +85°C
Climatic condition : UTE 93-421

PACKAGING :

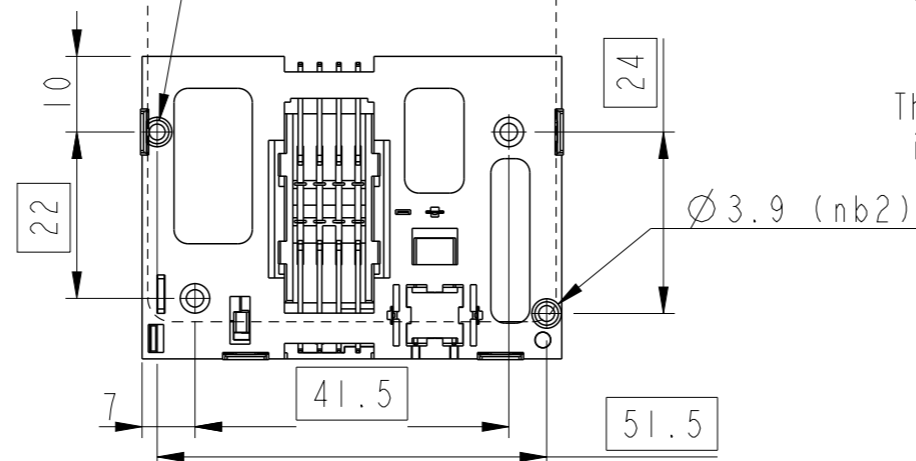
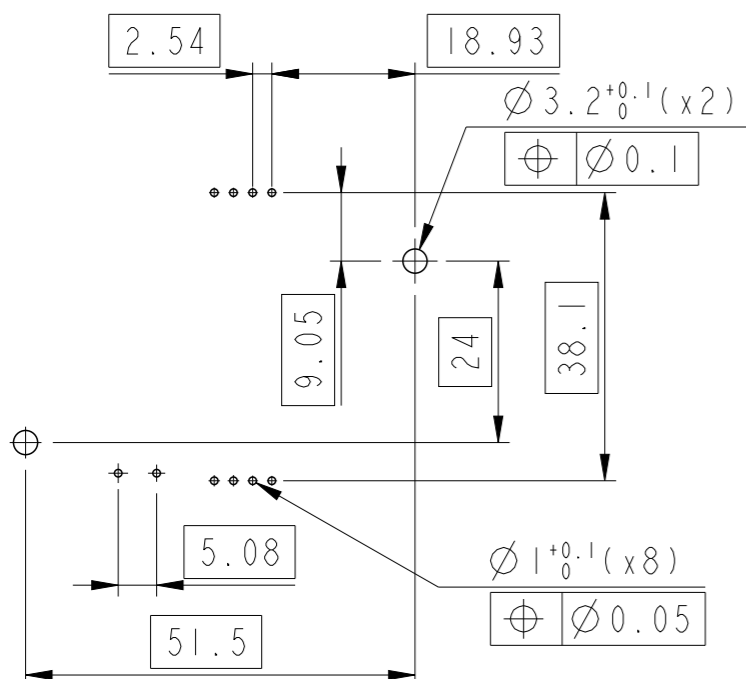
Cavity tray

LEAD FREE VERSION:

"This product meets European Union Directives and other country regulations as described in GS-47-0004"

The housing will withstand exposure to 260°C peak temperature for 10seconds in a convection reflow oven.

**Recommended PCB Layout
(Component side)**



General Tolerances	
0 to 10mm:	±0.1mm
10 to 30mm:	±0.15mm
30 to 60mm:	±0.2mm
60 and more:	±0.3mm

spec ref	--	dr	P-Mathew Nebu	2011/05/31	projection	mm	size	A3	scale	1:1	
tolerance std	ISO 406 ISO 1101	eng	P-Mathew Nebu	2019/07/15			ecn no	ELX-I-30956-1	rel level	Released	
	TOLERANCES UNLESS OTHERWISE SPECIFIED	chr	-	2019/09/27							product family
surface	linear	appr	Kuriakose, San	2019/09/27			dwg no	C01MSB26ECE02		rev	D
ISO 1302	angular	cat. no.		SEE TABLE	Product - Customer Drw		sheet 1 of 1				