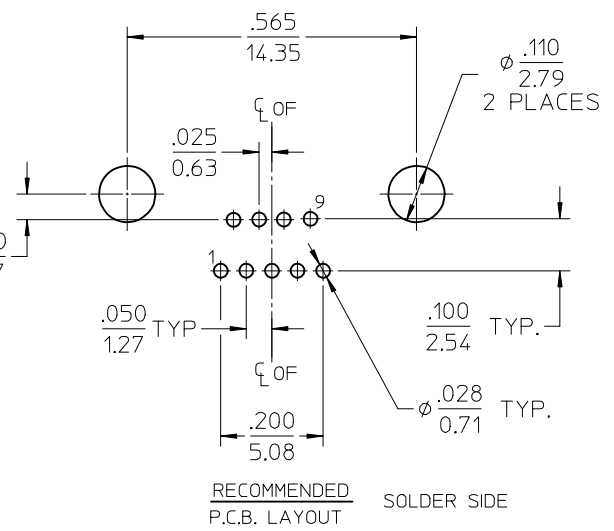
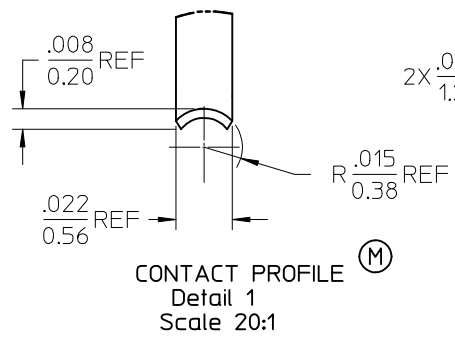
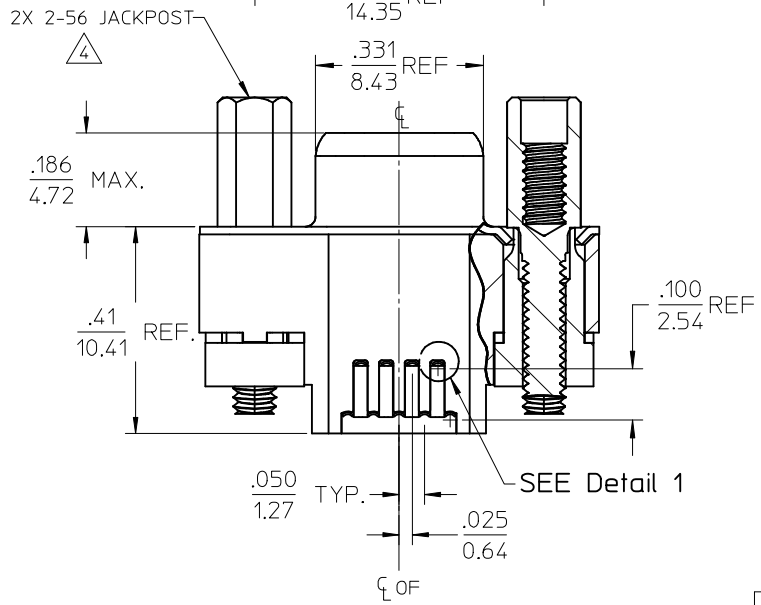
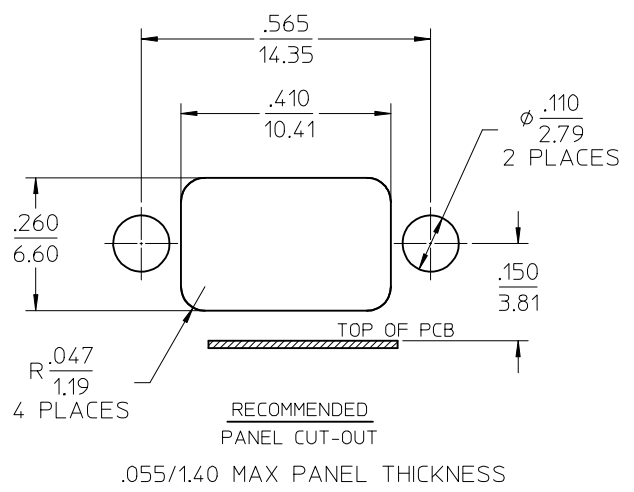
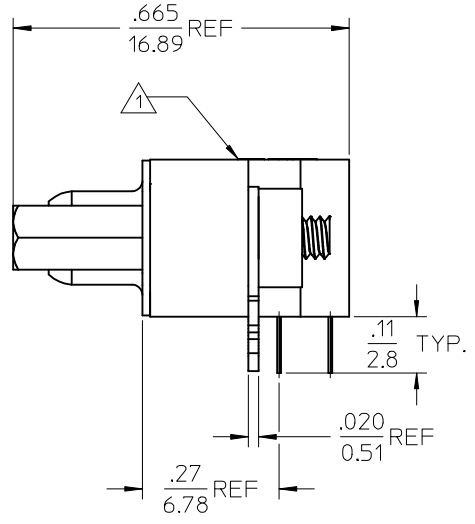
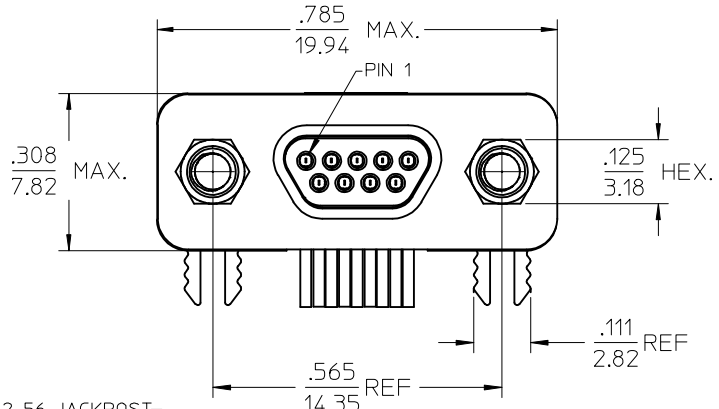


10	9	8	7	6	5	4	3	2	1
MATERIAL NO.	ENG. NO.								
836119006	83611-9006								
836119201	83611-9201								



- NOTES:
- 1 DATE CODE : 08(YR)XX(WEEK)C(CHINA)
 - 2. SEE PS-83421-9000
 - 3. ROHS COMPLIANT.
 - 4 2.5 IN/LB TORQUE MAX.

ADD CONTACT PROFILE EC NO: IFG2013-0813 DRWN: BRUPERT CHKD: APPR: JF MURPHY 2012/11/30 2013/01/18	QUALITY SYMBOLS ▽=0 ◻=0	GENERAL TOLERANCES (UNLESS SPECIFIED)		DIMENSION STYLE		SCALE	DESIGN UNITS	THIRD ANGLE PROJECTION		
			mm	INCH	IN/MM		4:1	INCH		
		4 PLACES	± ---	± ---	DRAWN BY	DATE	TITLE			
		3 PLACES	± ---	± .005	JLOMASTR	04/09/21	CONN, COMMERCIAL -D, PLUG RT ANGLE, JKPOST, SIZE 9			
2 PLACES	± 0.13	± .010	CHECKED BY	DATE	MOLEX INCORPORATED					
1 PLACE	± 0.25	± ---	RDEROSS	04/09/28						
ANGULAR ± 1 °				APPROVED BY	DATE	DOCUMENT NO.		SHEET NO.		
				RDEROSS	04/09/28	SD-83611-001		1 OF 1		
DRAFT WHERE APPLICABLE MUST REMAIN WITHIN DIMENSIONS				MATERIAL NO.						
				SEE CHART						
				THIS DRAWING CONTAINS INFORMATION THAT IS PROPRIETARY TO MOLEX INCORPORATED AND SHOULD NOT BE USED WITHOUT WRITTEN PERMISSION						