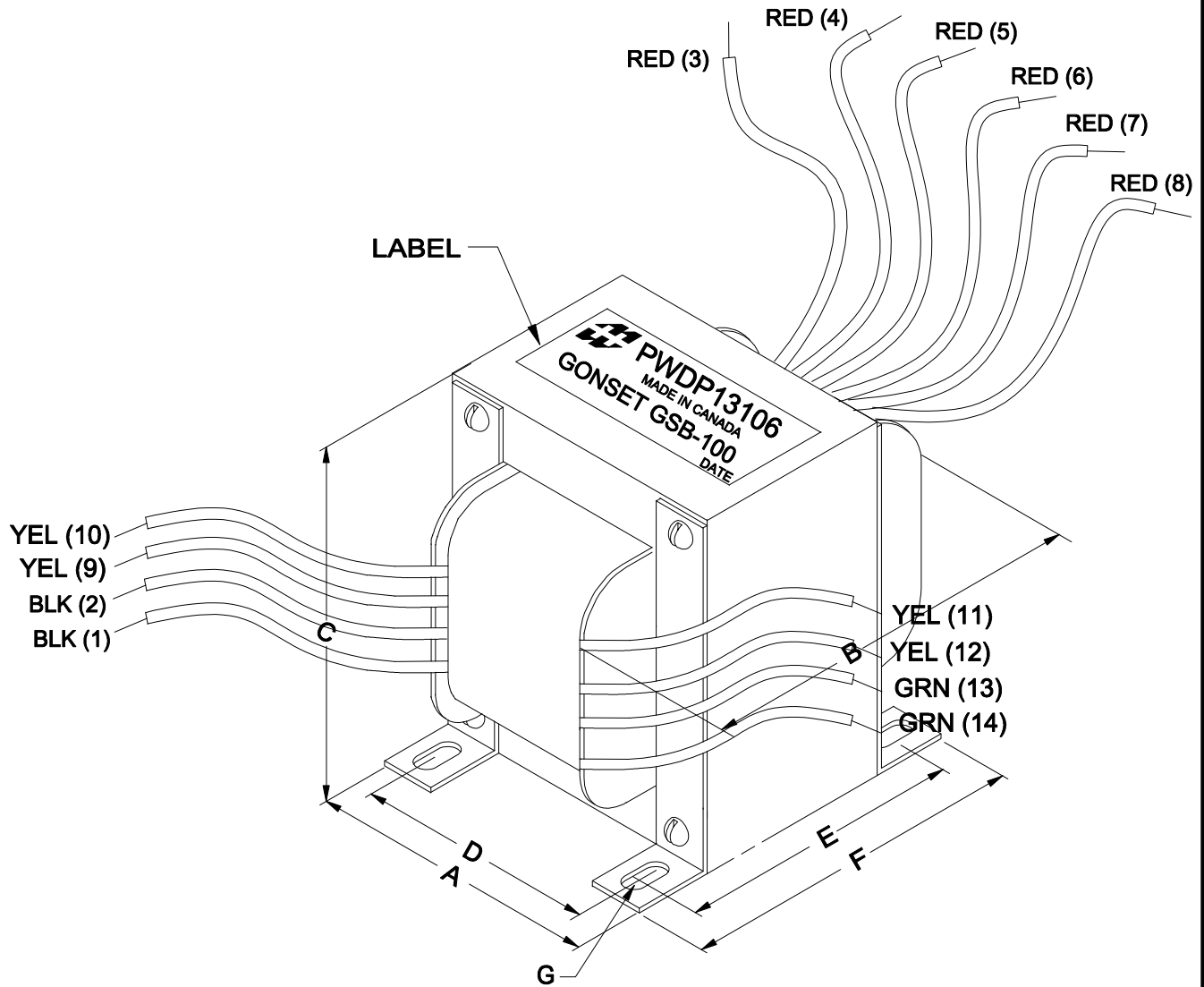


DIMENSIONS:	
A	3.750" ±0.063
B	4.050" ±0.125
C	4.500" ±0.063
D	3.000" ±0.063
E	3.000" ±0.063
F	3.562" ±0.063
G	0.203" x 0.375" ±0.015



NOTE: ALL LEADS 12.0" LONG OUT MIN.



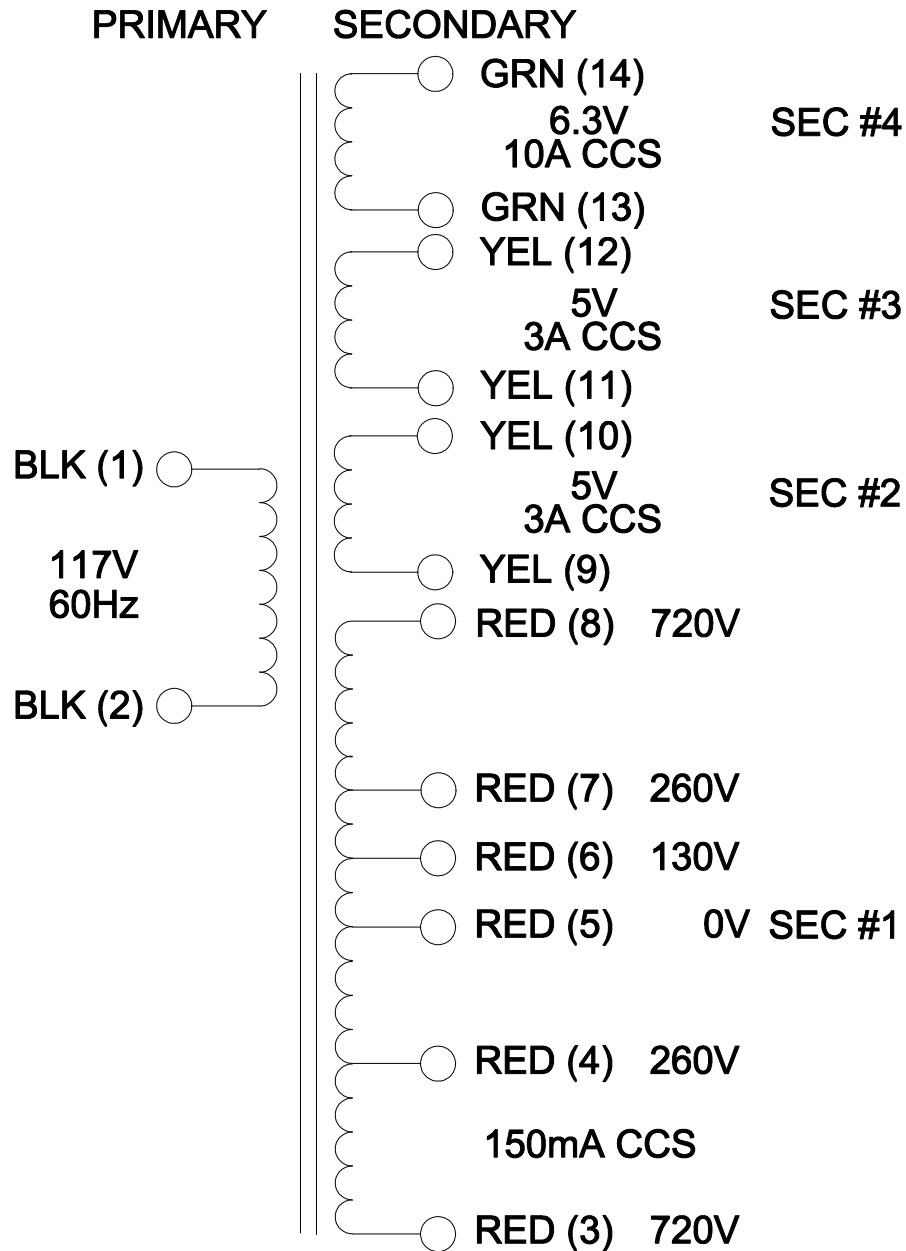
**ELECTRONIC DIVISION**  
 52 RANKIN PLACE,  
 WATERLOO, ONTARIO, N2J 3Z5  
 PH # (519) 886-6181  
 FAX # (519) 886-9540

TITLE  
**GONSET GSB-100**

NO	DATE	REVISION	DWG. BY
0	01/03/19	RELEASED.	C.I.

C. ILIE
DATE
01/03/19
DIM IN(X)MM( )

PWDP13106



**ELECTRONIC DIVISION**  
52 RANKIN PLACE,  
WATERLOO, ONTARIO, N2J 3Z5  
PH # (519) 886-6181  
FAX # (519) 886-9540

TITLE

GONSET GSB-100

NO	DATE	REVISION	DWG. BY
0	01/03/19	RELEASED. C.I.	C. ILIE
			DATE
			01/03/19
			DIM IN(X)MM( )

PWDP13106