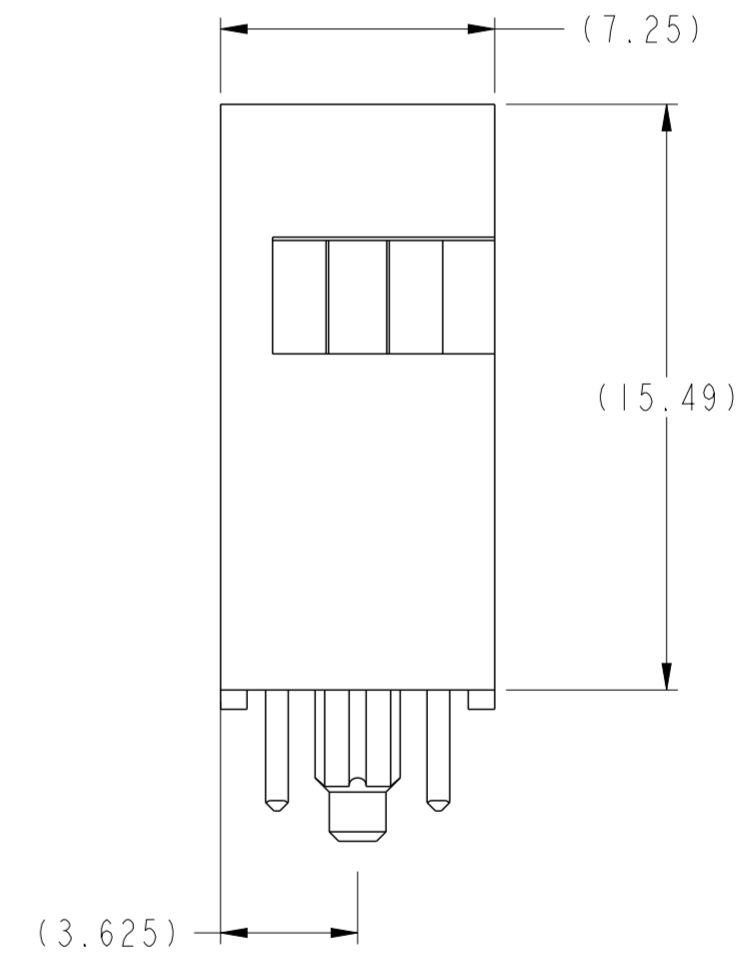
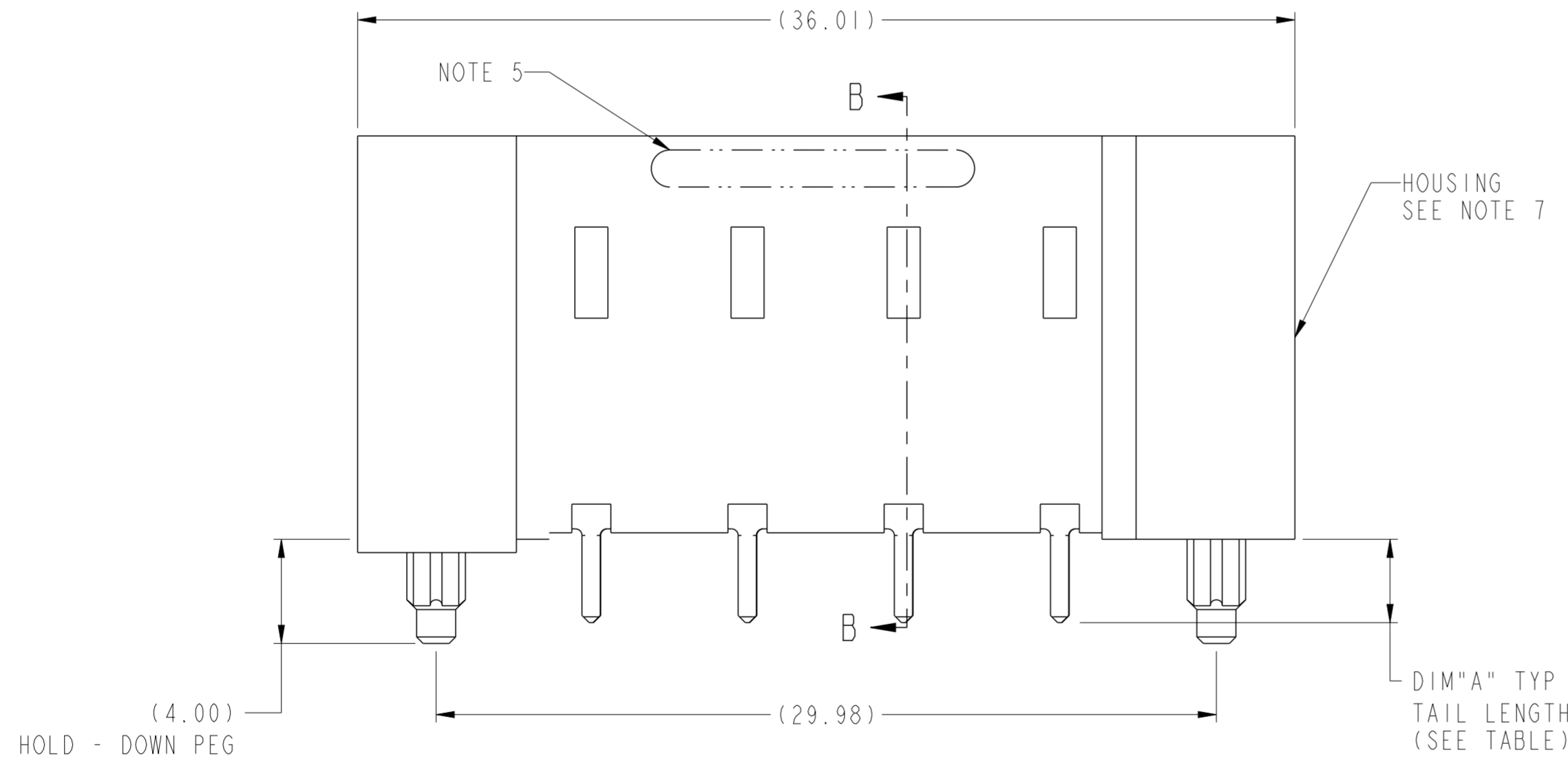


SECTION B-B
SCALE 4:1



spec ref	-	dr	Liu Jenson	2013/05/16	projection	mm	size	A2	scale	5:1	
tolerance std	ASME Y14.5	eng	Liu Jenson	2014/04/22			ecn no	ELX-DG-17541-1			
TOLERANCES UNLESS OTHERWISE SPECIFIED linear 0.X ±0.3 0.XX ±0.10 0.XXX ±0.050 angular 0° ±2°		chr	Jon Qin	2014/04/25			rel level	Released			
		appr	Collins Lu	2014/04/25			product family	-			
surface	ASME Y14.5				title VERTICAL HEADER (8LP) HPCE CTB VERTICAL-HEADER		dwg no	10125689		rev	B
www.fci.com					cat. no.	-	Product - Customer Drw		sheet 1 of 3		

PRODUCT PART NUMBER

10125689-□□□□□LF

BASE PART NUMBER

CONTACT AREA PLATING
 UNDERPLATED 50u"(1.27um) MIN. NICKEL
 1: 100u"(2.5um) MIN. Ag
 2: 30u"(0.760um) MIN. GXT

FIRST MATE LAST BREAK PIN POSITION
 000: ALL PINS ARE LONG PINS SEE TABLE
 001: SOME PINS ARE SHORT PINS SEE TABLE

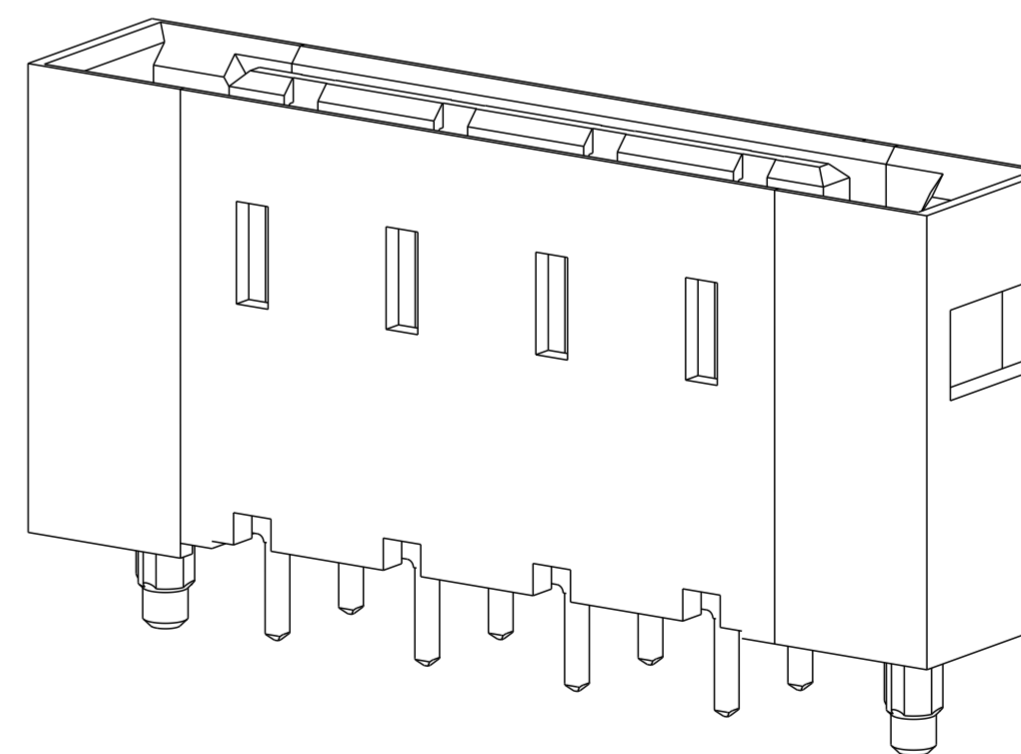
DIM "A", TAIL LENGTH
 1: 3.00±0.25mm (PCB THK 1.57mm Min PF)
 2: 3.25±0.25mm (PCB THK 2.36mm +/-0.13mm)
 3: 2.60±0.25mm (PCB THK 1.57mm +/-0.13mm)

POWER CONTACT	ROW#	P#	DIM "C"±0.25	DIM "A"±0.25	
	ROW A	P1		8.86	3.25
P2			7.59	3.25	
P3			8.86	2.60	
P4			7.59	2.60	
P9			8.86	3.00	
P10			7.59	3.00	
ROW B		P1		8.86	3.25
		P2		8.86	3.25
		P3		7.59	2.60
		P4		7.59	2.60
	P9		8.86	3.00	
	P10		7.59	3.00	

NUMBER	END MODULE	POWER CONTACT					END MODULE
		4	3	2	1		
000		P9	P9	P9	P9	ROW A	
		P9	P9	P9	P9	ROW B	
001		P10	P9	P9	P10	ROW A	
		P10	P9	P9	P10	ROW B	

NOTES:

- CONNECTOR MATERIALS:
 HOUSING: HIGH TEMPERATURE THERMAL PLASTIC, BLACK UL 94V-0 COMPLIANT
 CONTACTS: HIGH PERFORMANCE COPPER ALLOY.
- CONTACT FINISH REF. GS-12-1031 SECTION 5.2
- PRODUCT SPECIFICATION: GS-12-1031
- APPLICATION SPECIFICATION: GS-20-0369
- PRODUCT MARKING (FCI PART NUMBER & DATE CODE) ON HOUSING IN AREA SHOWN.
- PACKAGING MEETS FCI SPECIFICATION GS-14-2272.
- HOUSING COMPONENT WILL WITHSTAND EXPOSURE TO 260°C PEAK TEMPERATURE FOR 60 SECONDS IN A CONVECTION, INFRA-RED, OR VAPOR PHASE REFLOW OVEN.
- COPPER PLATING THICKNESS IN CENTER OF VIA-HOLE CAN BE NO MORE THAN 0.003 LESS THAN OTHER AREAS.
- ALL HOLE SIZES ARE FINISHED HOLE SIZES.
- MOUNTING HOLES ARE UNPLATED
 $\varnothing 2.25 \pm 0.05$ FOR SOLDER TAILS



SCALE 4:1

spec ref	-	dr	Liu Jenson	2013/05/16	projection	mm	size	A2	scale	5:1										
tolerance std	ASME Y14.5	eng	Liu Jenson	2014/04/22			ecn no	ELX-DG-17541-1												
TOLERANCES UNLESS OTHERWISE SPECIFIED		chr	Jon Qin	2014/04/25			rel level	Released												
surface	<table border="1"> <tr> <td>linear</td> <td>0.X</td> <td>±0.3</td> </tr> <tr> <td></td> <td>0.XX</td> <td>±0.10</td> </tr> <tr> <td></td> <td>0.XXX</td> <td>±0.050</td> </tr> <tr> <td>angular</td> <td>0°</td> <td>±2°</td> </tr> </table>	linear	0.X	±0.3				0.XX	±0.10		0.XXX	±0.050	angular	0°	±2°	apppr	Collins Lu	2014/04/25	product family	
linear	0.X	±0.3																		
	0.XX	±0.10																		
	0.XXX	±0.050																		
angular	0°	±2°																		
				title VERTICAL HEADER (8LP) HPCE CTB VERTICAL-HEADER		dwg no 10125689	rev B													
		www.fci.com		cat. no.		Product - Customer Drw		sheet 3 of 3												

Copyright FCI. FCI