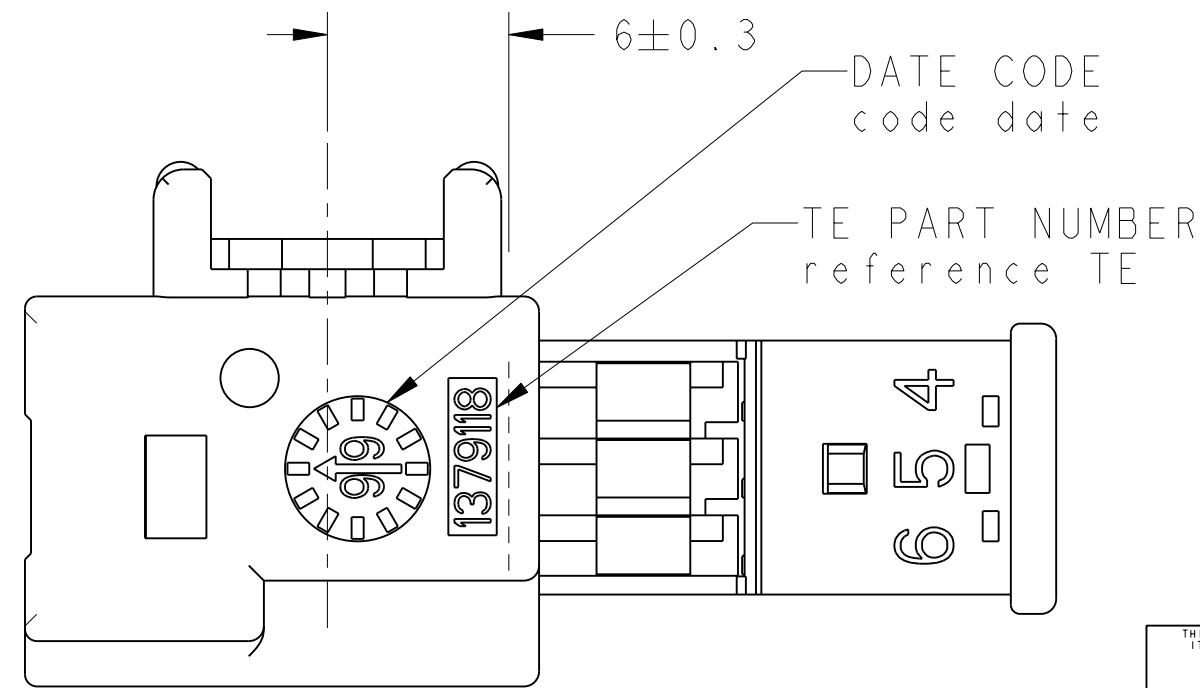
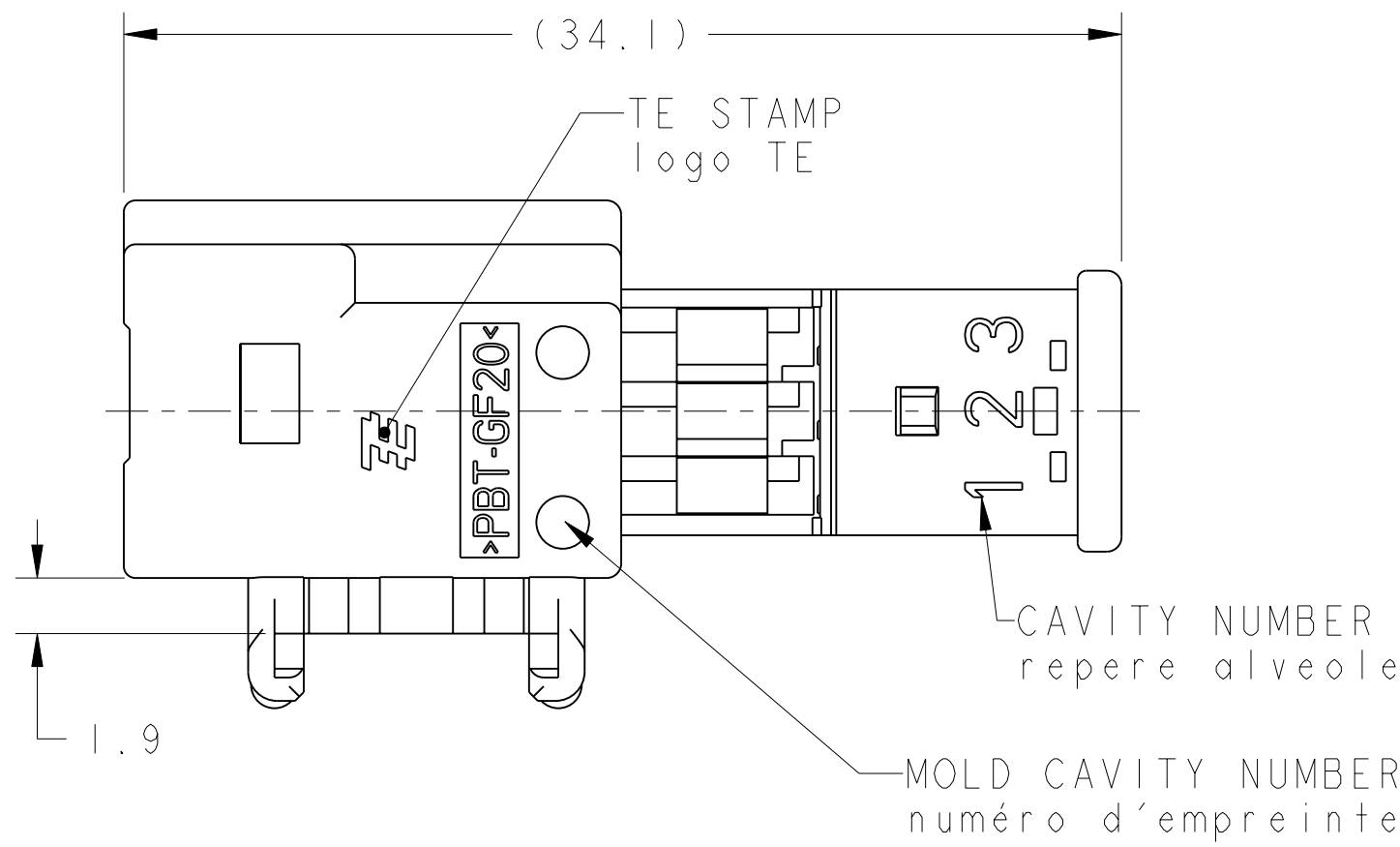
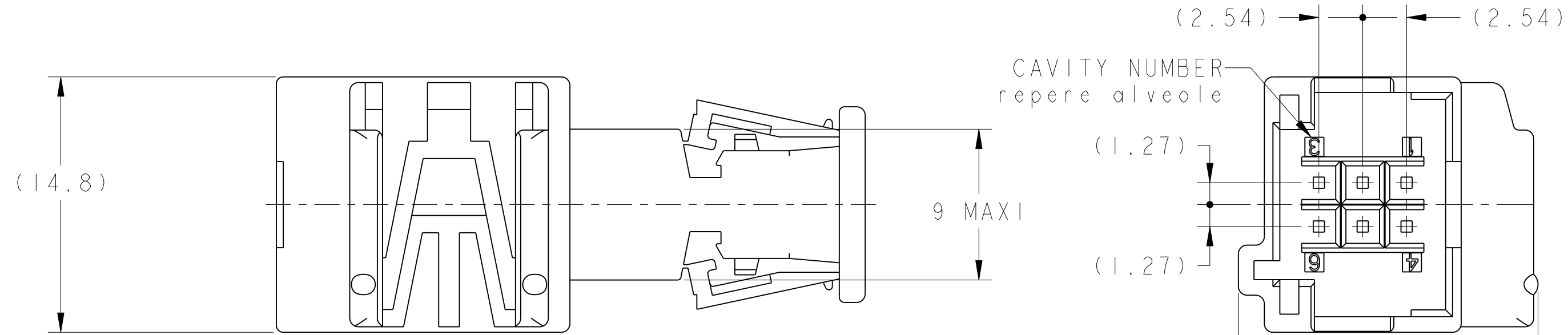


THIS DRAWING IS UNPUBLISHED. / RELEASED FOR PUBLICATION / 2009  
 DIFFUSION RESTREINTE / LIBRE A LA DIFFUSION

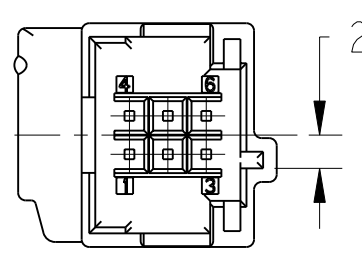
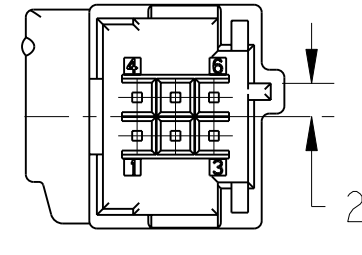
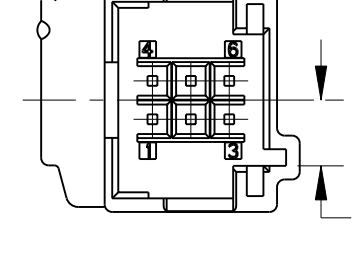
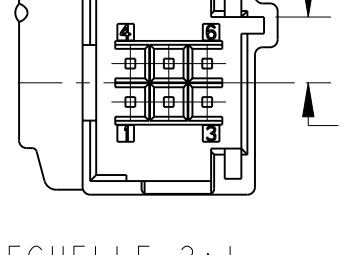
© COPYRIGHT 2009 BY TYCO ELECTRONICS CORPORATION. ALL RIGHTS RESERVED. / TOUS DROITS RESERVES

LOC	DIST	REVISIONS				
F	00	P	LTR	DATE	DWN DESS.	APVD APP.



PART TO BE USED WITH  
 MQS TAB CONTACT PN: SEE TE DRAWING PN 929453  
 COVER FOR MQS 6 POS HOUSING GENE II PN: 953382-X  
 LOCKING DEVICE FOR MQS 6 POS GENE II PN: 953381-1  
 SOCKET HOUSING FOR MQS 6 POS PN: 185311-1  
 piece a utiliser avec  
 languette MQS ref: voir plan TE ref 929453  
 porte-module 6 voies MQS gen II ref: 953382-X  
 verrou secondaire 6 voies MQS gene II: 953381-1  
 module 6 voies MQS ref: 185311-1

PACKAGING SPECIFICATION : 107-15440  
 specification de conditionnement: voir ci-dessus.

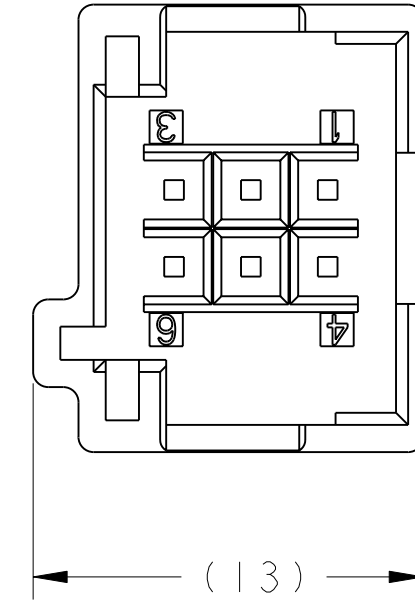
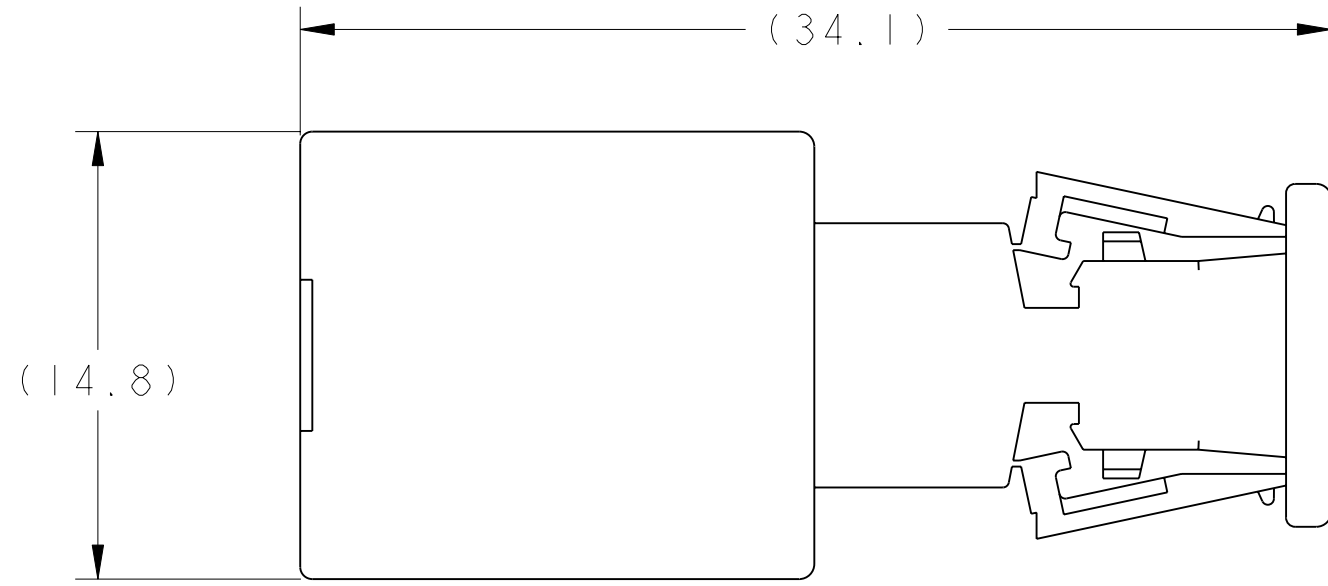
	BROWN marron	1379118-4
ECHELLE 2:1		
	GREEN vert	1379118-3
ECHELLE 2:1		
	WHITE blanc	1379118-2
ECHELLE 2:1		
	BLACK noir	1379118-1
ECHELLE 2:1		
KEYING detrompage	COLOR couleur	TE PN ref TE

THIS DRAWING IS A CONTROLLED DOCUMENT FOR TYCO ELECTRONICS CORPORATION. IT IS SUBJECT TO CHANGE AND THE CONTROLLING ENGINEERING ORGANIZATION SHOULD BE CONTACTED FOR THE LATEST REVISION. / CE PLAN EST UN DOCUMENT CONTROLÉ PAR TYCO ELECTRONICS. IL EST SUSCEPTIBLE D'ÊTRE REVISÉ. CONTACTER LE SERVICE TECHNIQUE DE TYCO ELECTRONICS POUR OBTENIR LA DERNIÈRE RÉVISION.		DWN / DESSINE M. POLIFONTE 03MAR2009	Tyco Electronics Tyco Electronics France SAS 95300 Pontoise, France	
DIMENSIONS: mm		CHK / VÉRIFIÉ E. CHATELUS 03MAR2009	NAME / TITRE 6W MQS PIN HOUSING POSITIVE MATE P-LANGUETTE 6 VOIES MQS AVALOIR	
TOLERANCES UNLESS OTHERWISE SPECIFIED: DIM. UNLESS OTHERWISE SPECIFIED: ±0.2 ANGLES ±5°		APVD / APPROUVE X. ROULLIARD 03MAR2009	SIZE / FORMAT A2	
MATERIAL / MATIÈRE PBT-GF20		PRODUCT SPEC 108-15311	CAGE CODE 00779	
		APPLICATION SPEC 411-15636	DRAWING NO No PLAN C-1379118	
		WEIGHT / MASSE APPROX. 2.8 gr	RESTRICTED TO RESERVE A -	
		CUSTOMER DRAWING / PLAN CLIENT	UNIQUEMENT POUR RÉFÉRENCE	
		SCALE / ÉCHELLE 3:1	SHEET / FEUILLE 1 OF 2	
			REV A	

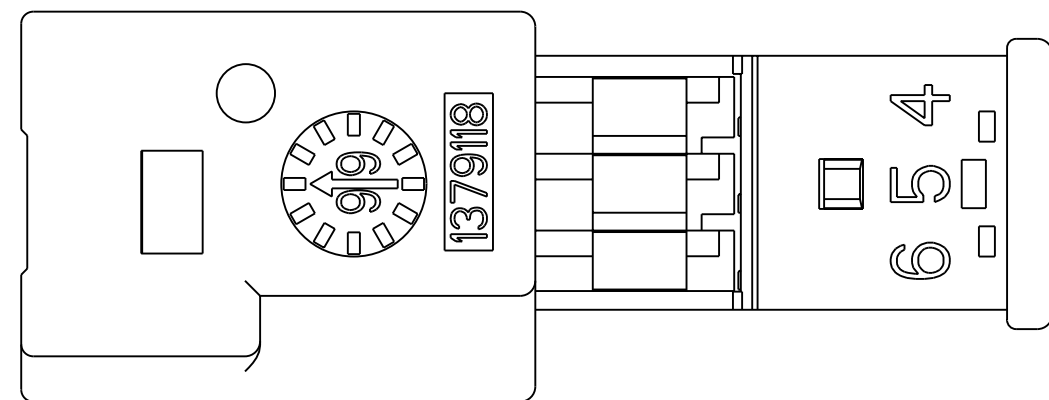
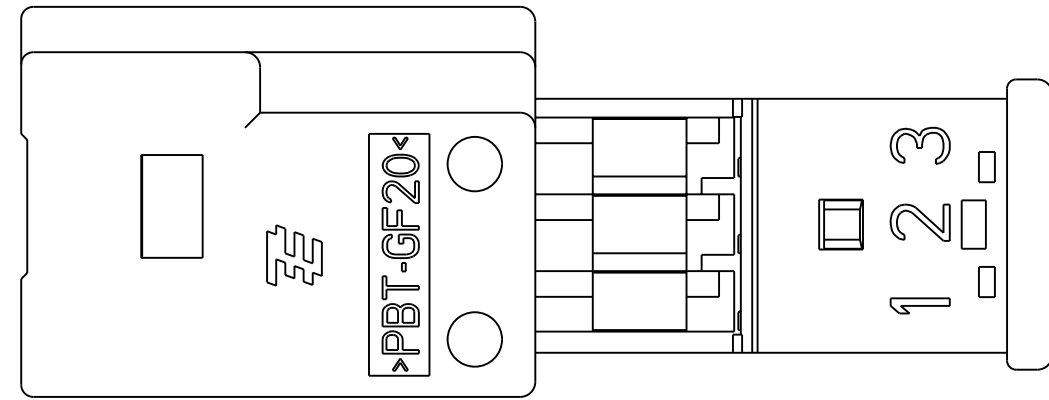
THIS DRAWING IS UNPUBLISHED. / RELEASED FOR PUBLICATION / 2009  
 DIFFUSION RESTREINTE / LIBRE A LA DIFFUSION  
 © COPYRIGHT 2009 BY TYCO ELECTRONICS CORPORATION. ALL RIGHTS RESERVED. / TOUS DROITS RESERVES

LOC	DIST	REVISIONS					
F	00	P	LTR	DESCRIPTION MODIFICATIONS	DATE	DWN DESS.	APVD APP.
		-		SEE SHEET 1			

VERSION WITHOUT FASTENER AERA  
 version sans agrafe



SEE TABLE ON SHEET 1/2 voir tableau feuille 1/2	BROWN marron	1-1379118-4
SEE TABLE ON SHEET 1/2 voir tableau feuille 1/2	GREEN vert	1-1379118-3
SEE TABLE ON SHEET 1/2 voir tableau feuille 1/2	WHITE blanc	1-1379118-2
SEE TABLE ON SHEET 1/2 voir tableau feuille 1/2	BLACK noir	1-1379118-1
KEYING detrompage	COLOR couleur	TE PART NUMBER ref TE



THIS DRAWING IS A CONTROLLED DOCUMENT FOR TYCO ELECTRONICS CORPORATION. IT IS SUBJECT TO CHANGE AND THE CONTROLLING ENGINEERING ORGANIZATION SHOULD BE CONTACTED FOR THE LATEST REVISION. / CE PLAN EST UN DOCUMENT CONTROLÉ PAR TYCO ELECTRONICS. IL EST SUSCEPTIBLE D'ÊTRE REVISÉ. CONTACTER LE SERVICE TECHNIQUE DE TYCO ELECTRONICS POUR OBTENIR LA DERNIÈRE RÉVISION.		DWN / DESSINE M. POLIFONTE 03MAR2009	Tyco Electronics France SAS 95300 Pontoise, France	
DIMENSIONS: mm		CHK / VÉRIFIÉ E. CHATELUS 03MAR2009	NAME / TITRE 6W MQS PIN HOUSING POSITIVE MATE P-LANGUETTE 6 VOIES MQS AVALOIR	
TOLERANCES UNLESS OTHERWISE SPECIFIED: ±0.2		APVD / APPROUVE X. ROULLIARD 03MAR2009	SIZE / FORMAT A2	
MATERIAL / MATIÈRE PBT-GF20		FINISH / FINITION	CAGE CODE 00779	DRAWING NO / No PLAN 1379118
WEIGHT / MASSE APPROX. 2.8gr		UNIQUEMENT POUR RÉFÉRENCE	SCALE / ÉCHELLE 3:1	SHEET / FEUILLE 2 OF / DE 2
CUSTOMER DRAWING / PLAN CLIENT		RESTRICTED TO RESERVE A REV A		