

THIS DRAWING IS UNPUBLISHED. RELEASED FOR PUBLICATION 2000
 © COPYRIGHT 2000 ALL RIGHTS RESERVED.

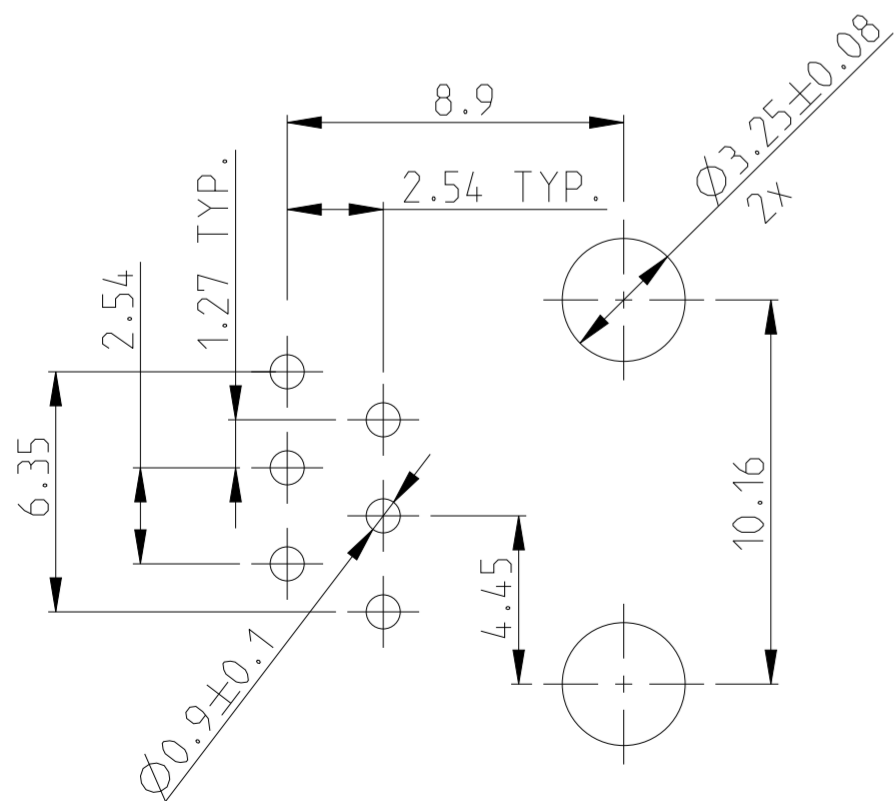
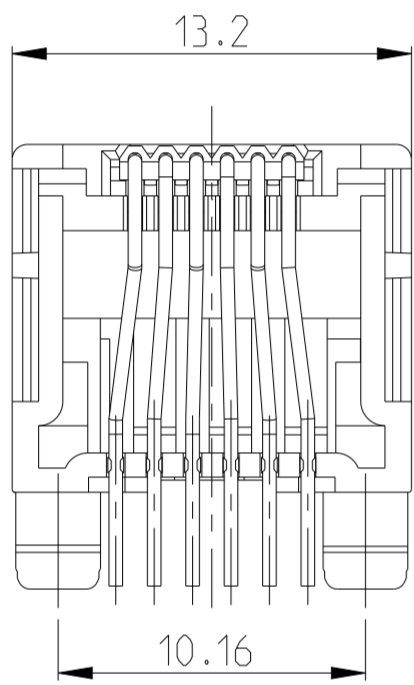
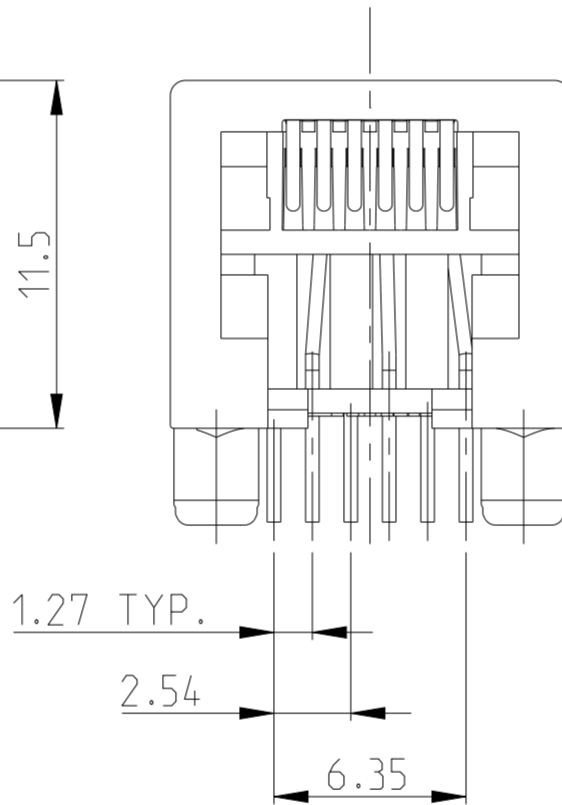
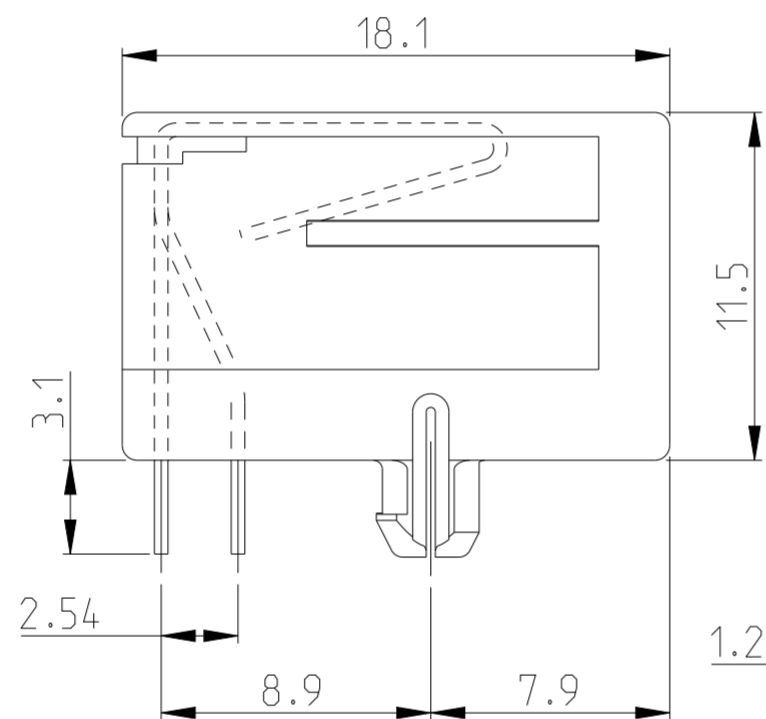
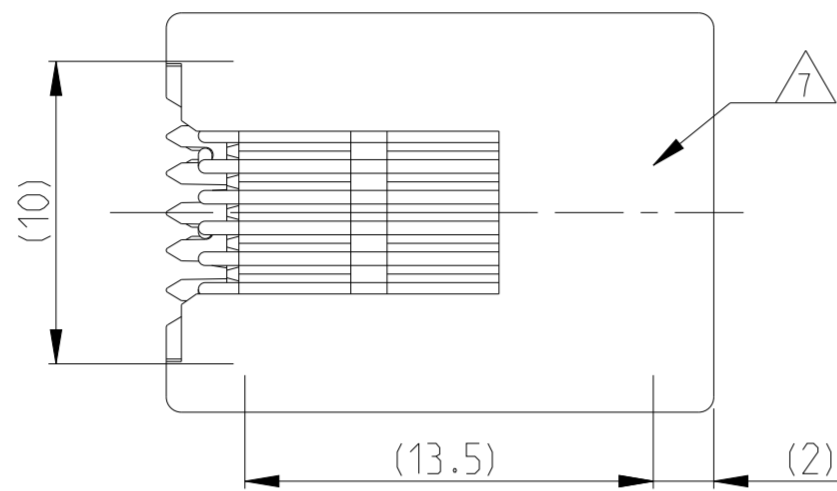
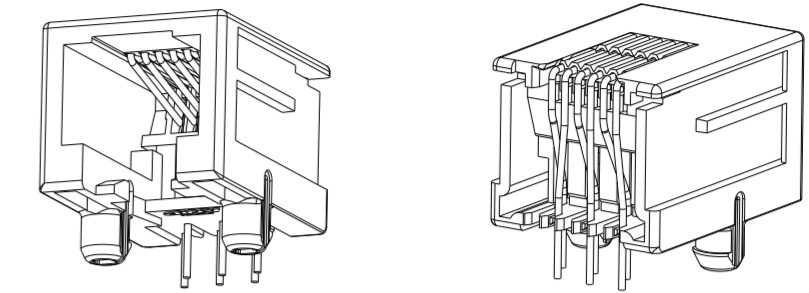
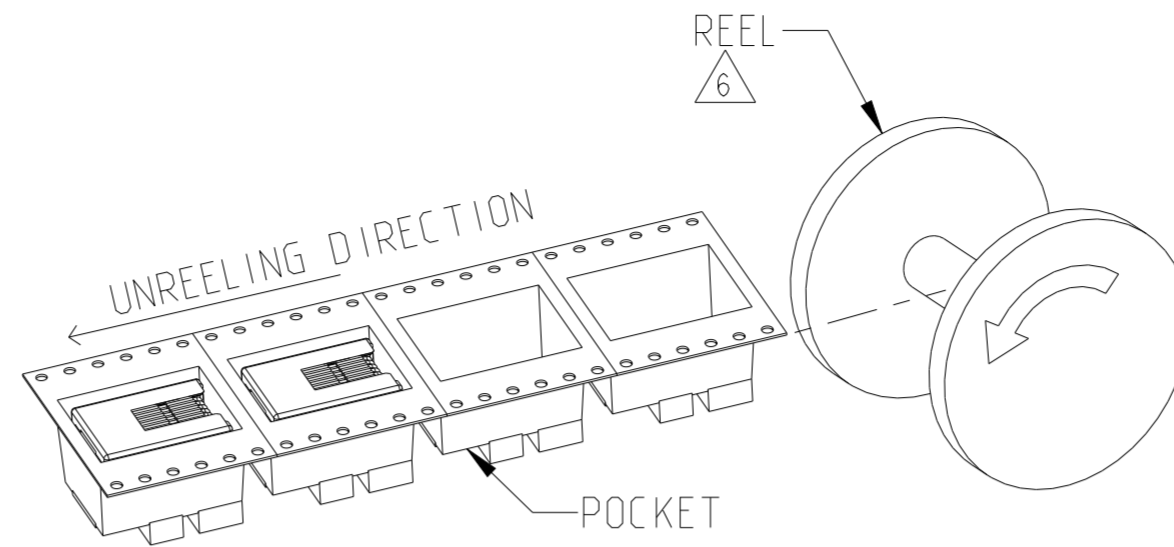
LOC	DIST	REVISIONS					
IR	-	P	LTR	DESCRIPTION	DATE	DWN	APVD
		AA1		ECR-10-026537	08AUG11	KK	HMR
		AA2		ECR-13-013525	29AUG2013	CW	SH
		AA3		REVISE PER ECO-12-008315	11MAY2015	AD	SH
		AA4		ADD PN 2-215876-4 WITH TAPE REEL PACKAGE	29SEP2020	IT	SH

- 1 SEE SHEET 2 FOR MODULAR JACK 6 POS./4 CONTACTS
- 2 FOR APPLICATION INFORMATION SEE SPEC. 114-19019.
- 3 FOR PERFORMANCE REQUIREMENTS SEE SPEC. 108-19064.
- 4 TOLERANCES UNLESS OTHERWISE SPECIFIED: ± 0,15mm.

5 TRUE POSITIONING WILL NOT BE GUARANTEED USING THIS PACKAGING TYPE.

6 PACKING TAPE AND REEL:
 32mm WIDE TAPE
 24MM POCKET PITCH
 330mm REEL DIA
 200 PIECES PER REEL

7 PI FILM FOR PICK UP,
 FOR PN 2-215876-4 ONLY.



PRINTED CIRCUIT BOARD LAYOUT (6 POS./6 CONTACTS)

[VIEW SHOWN IS CIRCUIT (NON-COMPONENT) SIDE OF BOARD]
 PRINTED CIRCUIT BOARD THICKNESS: 1,6mm NOMINAL.
 TOLERANCES UNLESS OTHERWISE SPECIFIED: ± 0,05

PACKAGING	REMARKS	FINISH	MATERIAL	P/N
TAPE AND REEL 800 PCS/REEL 6 6	6 POS./ 6 CONTACTS	OVERALL: Ni 1.27 µm MIN. ALL OVER THE CONTACTS SOLDER ZONE: Sn 2.5 µm MIN. ON THE SOLDER ZONE OF THE CONTACT MATING ZONE: PLATING CONFIRMS TO PRODUCT REQUIREMENTS AS PER SPECIFICATION 108-19064	HOUSING COLOR BLACK	2-215876-4
TAPE MOUNTED 800 PCS/REEL	6 POS./ 6 CONTACTS		HOUSING AND CONTACT INSERT: UL 94-V0	2-215876-3
BULK PACKED 1000 PCS IN A BOX 5	SUPERSEDED BY 215876-3		HOUSING PA 4.6 CONTACT INSERT: PCT	2-215876-1
240 PIECES IN A TRAY	6 POS./ 6 CONTACTS		CONTACTS: PH-BRONZE	OBSOLETE 2-215876-0
BULK PACKED 1000 PCS IN A BOX 5	SUPERSEDED BY 215876-1		HOUSING COLOR BLACK PBT, UL 94 V-0	3-215876-1
240 PIECES IN A TRAY	6 POS./ 6 CONTACTS		CONTACT INSERT: PBT, UL 94 V-0	1-215876-3
108 PCS IN A MULTI-TUBE	SUPERSEDED BY 1-215876-3		CONTACTS: PH-BRONZE	1-215876-1
TAPE MOUNTED 800 PCS/REEL	6 POS./ 6 CONTACTS			215876-1

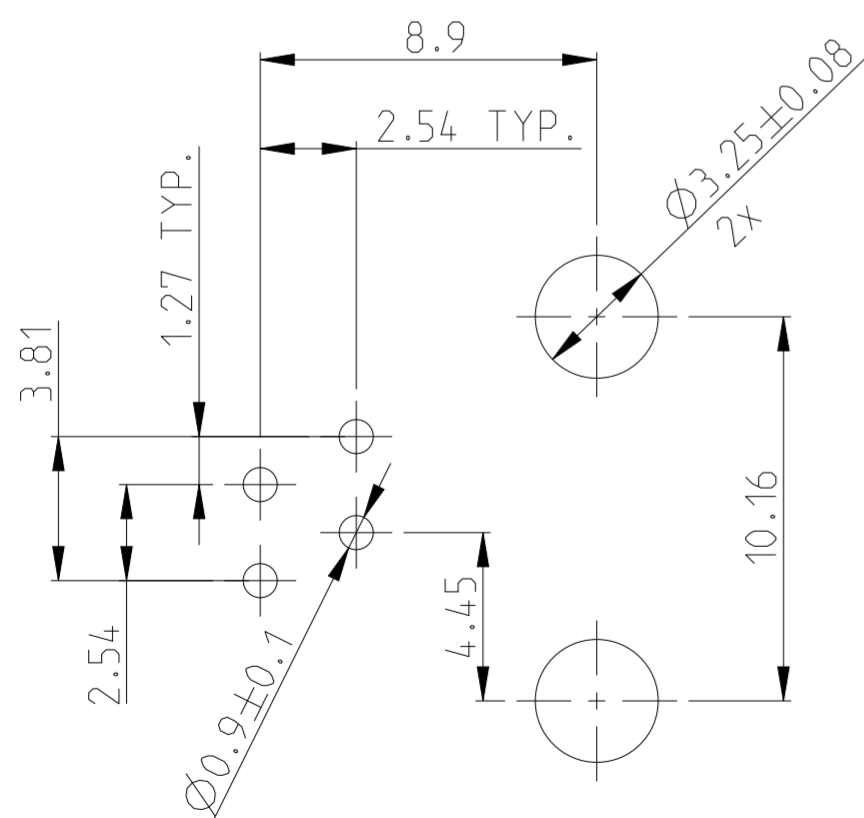
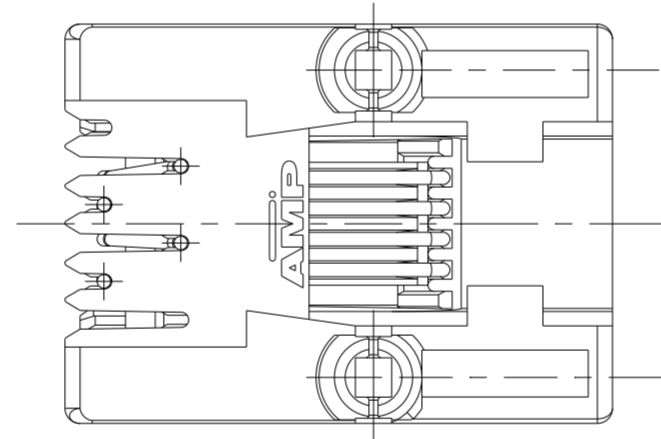
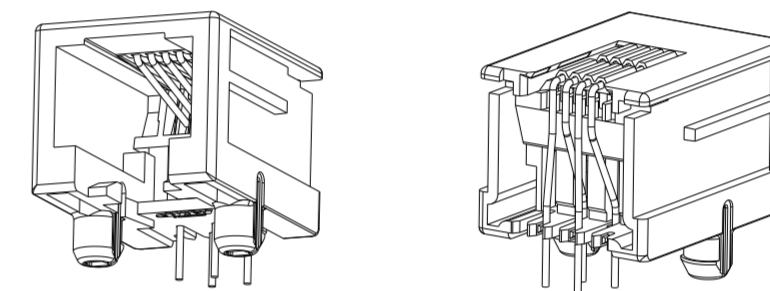
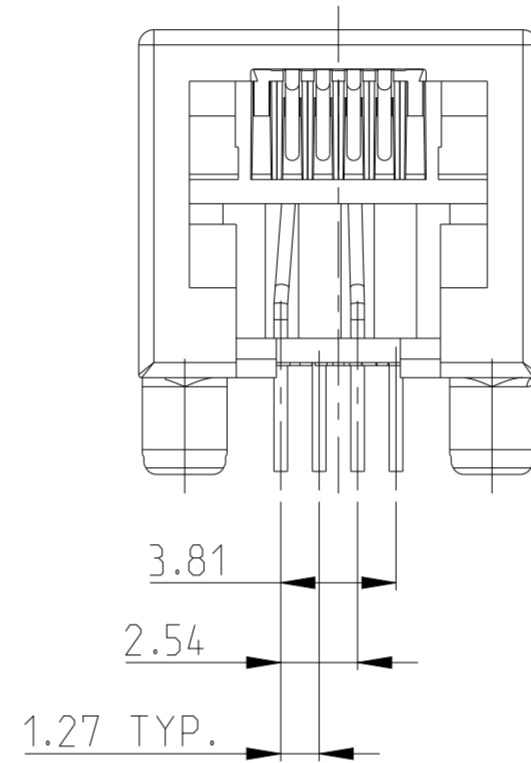
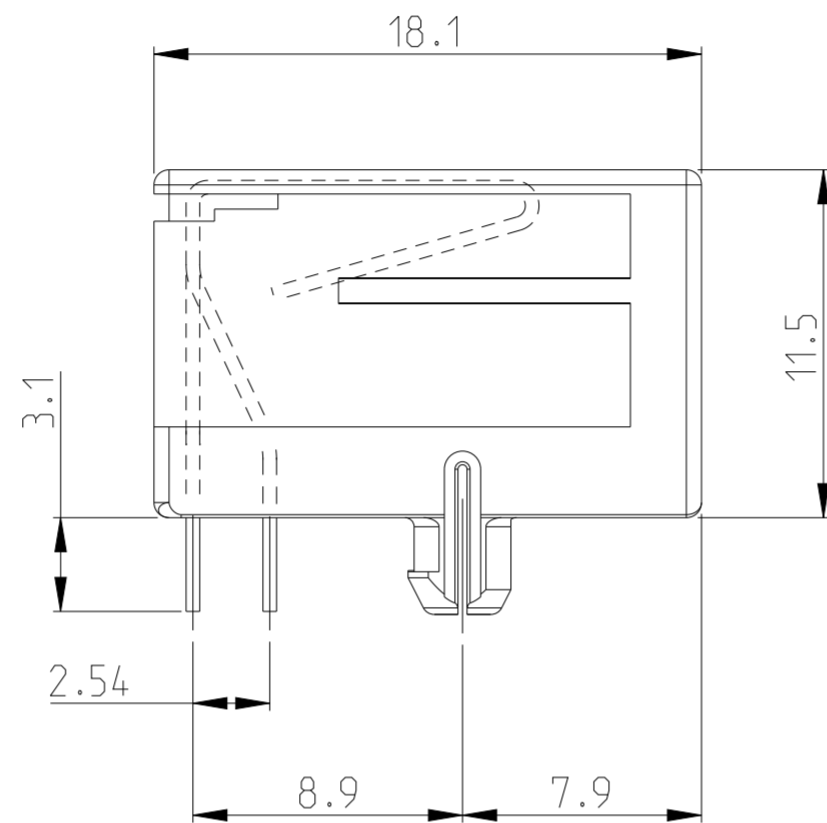
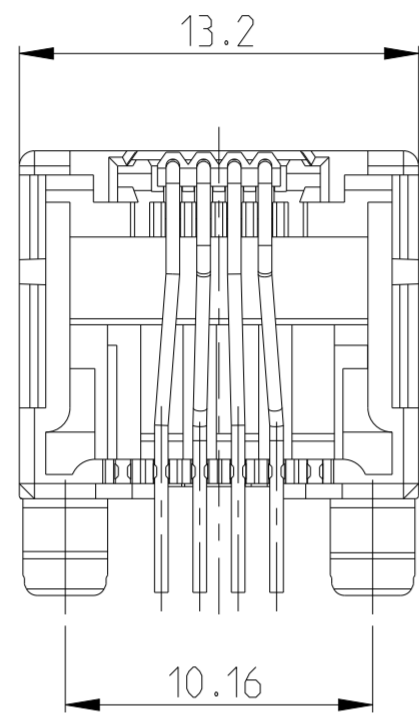
THIS DRAWING IS A CONTROLLED DOCUMENT.

DWN G.CONSTANT 24 SEP 96	TE Connectivity	NAME MODULAR JACK, SIDE ENTRY, 6/6 FOR PRINTED CIRCUIT BOARD
CHK G.CONSTANT 24 SEP 96		
APVD R.SMEETS		
PRODUCT SPEC 108-19064		
MATERIAL -	FINISH -	APPLICATION SPEC 114-19019
DIMENSIONS: mm		TOLERANCES UNLESS OTHERWISE SPECIFIED:
0 PLC ± 1 PLC ± 2 PLC ± 3 PLC ± 4 PLC ± ANGLES ± FINISH -		WEIGHT - SCALE 4:1 SHEET 1 OF 4 REX AA4
CUSTOMER DRAWING		RESTRICTED TO -

THIS DRAWING IS UNPUBLISHED. RELEASED FOR PUBLICATION 2000
 © COPYRIGHT 2000 ALL RIGHTS RESERVED.

LOC	DIST	REVISIONS					
IR	-	P	LTR	DESCRIPTION	DATE	DWN	APVD
		-		SEE SHEET 1	-	-	-

- 1 SEE SHEET 1 FOR MODULAR JACK 6 POS./6 CONTACTS.
- 2 FOR APPLICATION INFORMATION SEE SPEC. 114-19019.
- 3 FOR PERFORMANCE REQUIREMENT SEE SPEC. 108-19064.
- 4 TOLERANCES UNLESS OTHERWISE SPECIFIED: ±0.15.



PRINTED CIRCUIT BOARD LAYOUT (6 POS./4 CONTACT)

[VIEW SHOWN IS CIRCUIT (NON-COMPONENT) SIDE OF BOARD]
 PRINTED CIRCUIT BOARD THICKNESS: 1.6mm NOMINAL.
 TOLERANCES UNLESS OTHERWISE SPECIFIED: ± 0.05.

240 PIECES IN A TRAY	6 POS./4 CONTACTS	SAME AS 215876-2	SAME AS 215876-2	3-215876-2
TAPE MOUNTED 800 PCS/REEL	6 POS./4 CONTACTS	OVERALL: Ni 1.27 µm MIN. ALL OVER THE CONTACTS SOLDER ZONE: Sn 2.5 µm MIN. ON THE SOLDER ZONE OF THE CONTACT MATING ZONE: PLATING CONFIRMS TO PRODUCT REQUIREMENTS AS PER SPECIFICATION 108-19064	HOUSING COLOR BLACK: PBT, UL 94 V-0 CONTACT INSERT: PBT, UL 94 V-0 CONTACTS: Ph-BRONZE	215876-2
	SUPERSEDED BY 215876-2			1-215876-2
PACKAGING	REMARKS	FINISH	MATERIAL	P/N

THIS DRAWING IS A CONTROLLED DOCUMENT.

DWN: G.CONSTANT 24 SEP 96	TE Connectivity NAME: MODULAR JACK, SIDE ENTRY, 6/4 FOR PRINTED CIRCUIT BOARD SIZE: A2 CAGE CODE: DRAWING NO: RESTRICTED TO:
CHK: G.CONSTANT 24 SEP 96	
APVD: R.SMEETS	
PRODUCT SPEC: 108-19064	
MATERIAL: -	APPLICATION SPEC: 114-19019 WEIGHT: - SCALE: 4:1 SHEET 2 OF 4 REX AA4

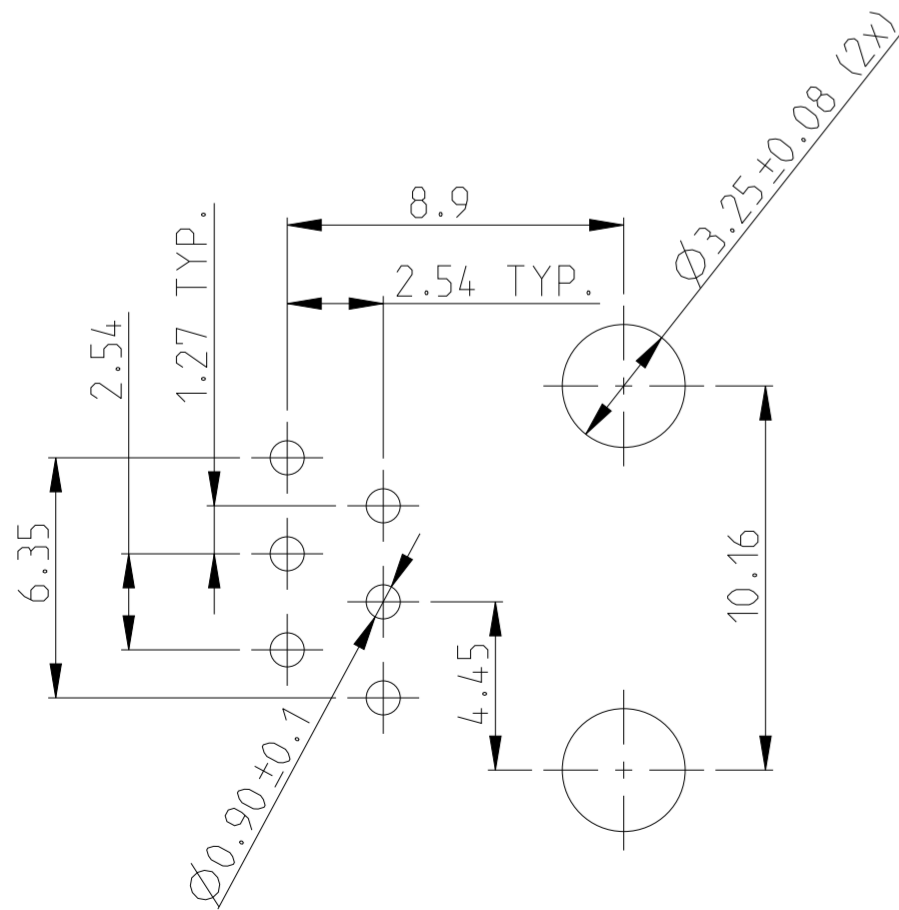
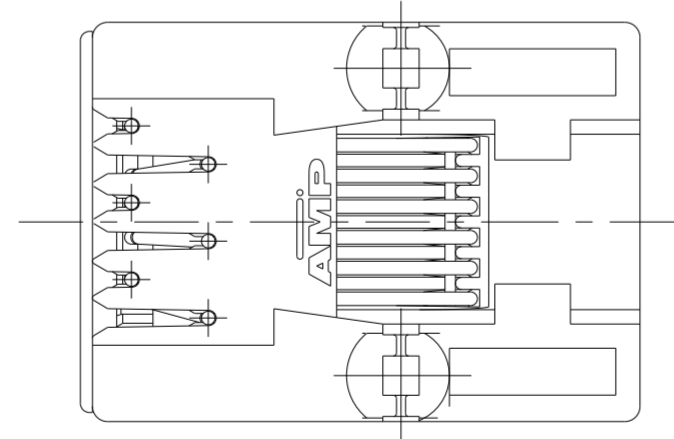
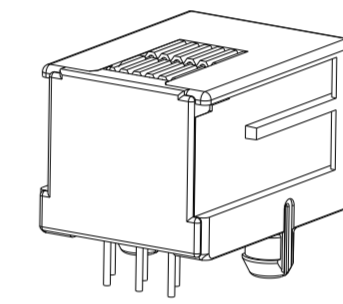
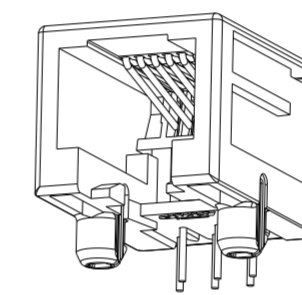
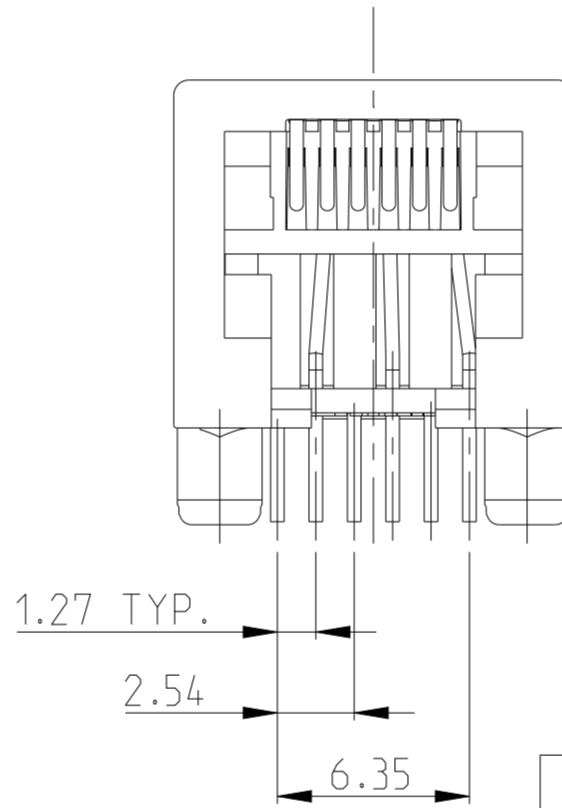
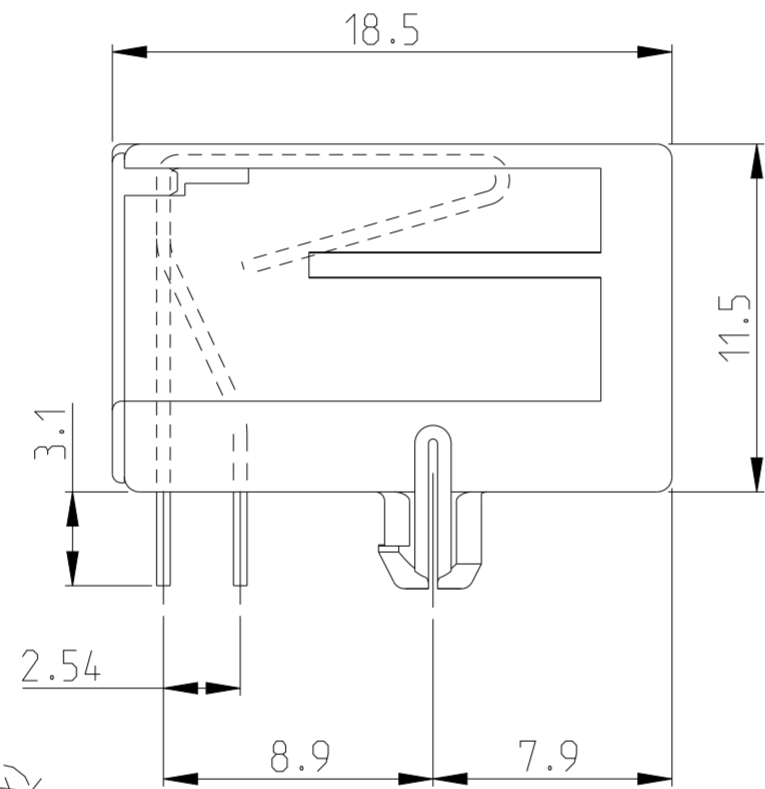
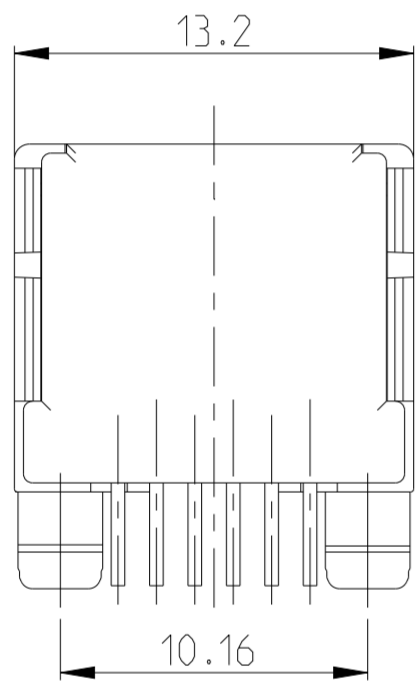
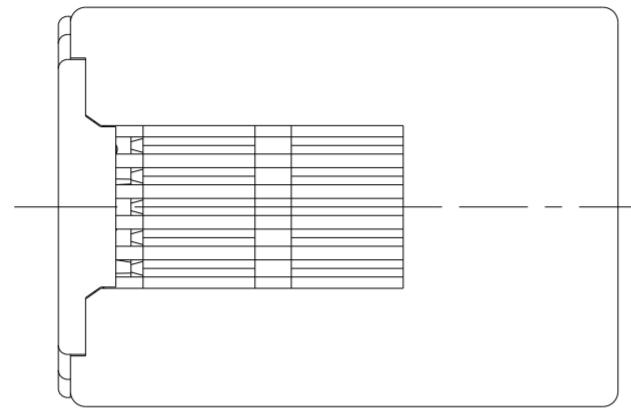
CUSTOMER DRAWING

THIS DRAWING IS UNPUBLISHED. RELEASED FOR PUBLICATION 2000
 © COPYRIGHT 2000 ALL RIGHTS RESERVED.

LOC	DIST	REVISIONS			
P	LTR	DESCRIPTION	DATE	DWN	APVD
IR	-	SEE SHEET 1	-	-	-
-	-	-	-	-	-

- SEE SHEET 4 FOR MODULAR JACK 6 POS./4 CONTACTS WITH CONTACT COVER.
- FOR APPLICATION INFORMATION SEE SPEC. 114-19019.
- FOR PERFORMANCE REQUIREMENTS SEE SPEC. 108-19064.
- TOLERANCES UNLESS OTHERWISE SPECIFIED: $\pm 0,15\text{mm}$.

TRUE POSITIONING WILL NOT BE GUARANTEED USING THIS PACKAGING TYPE.



PRINTED CIRCUIT BOARD LAYOUT (6 POS./6 CONTACTS)

[VIEW SHOWN IS CIRCUIT (NON-COMPONENT) SIDE OF BOARD]
 PRINTED CIRCUIT BOARD THICKNESS: 1,6mm NOMINAL.
 TOLERANCES UNLESS OTHERWISE SPECIFIED: $\pm 0,05$

OBSOLETE

OBSOLETE

OBSOLETE

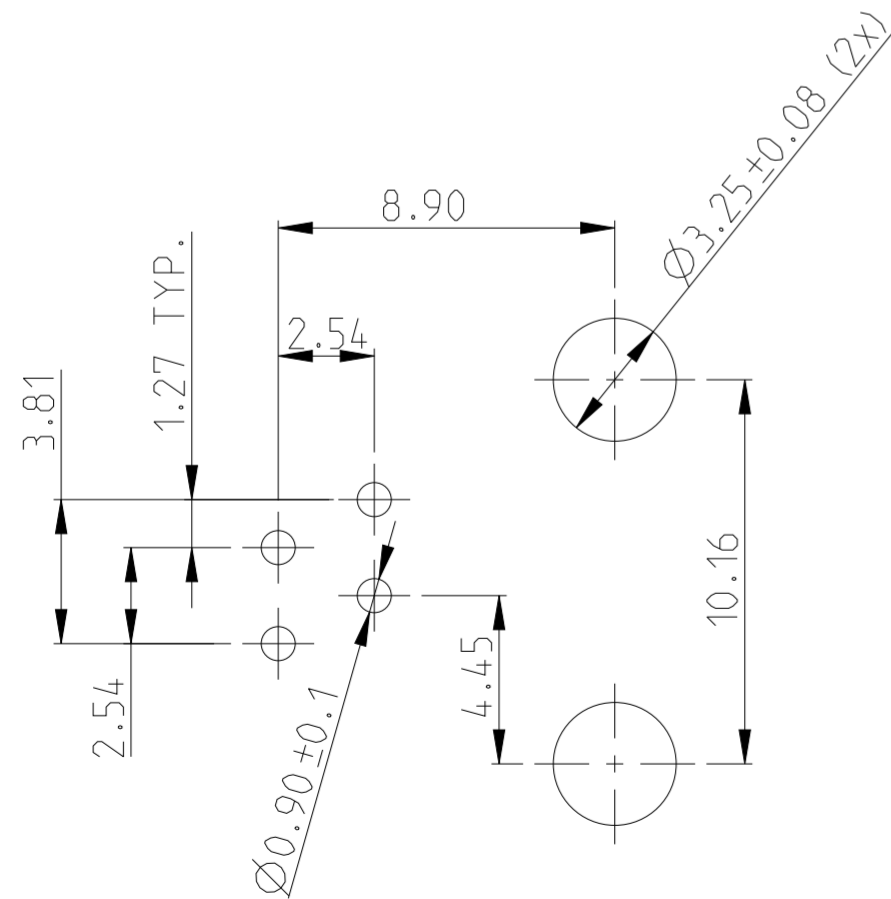
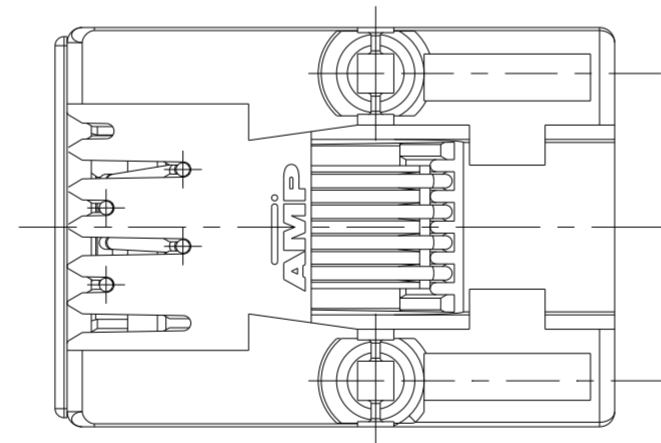
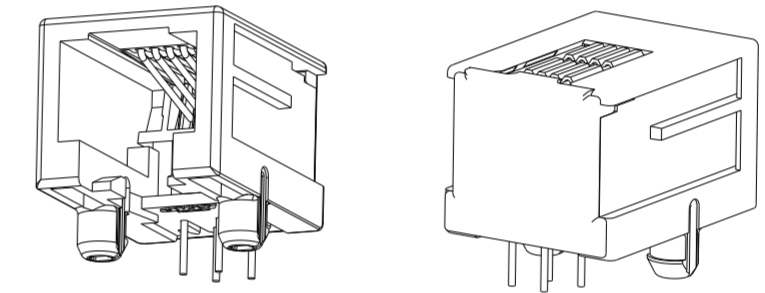
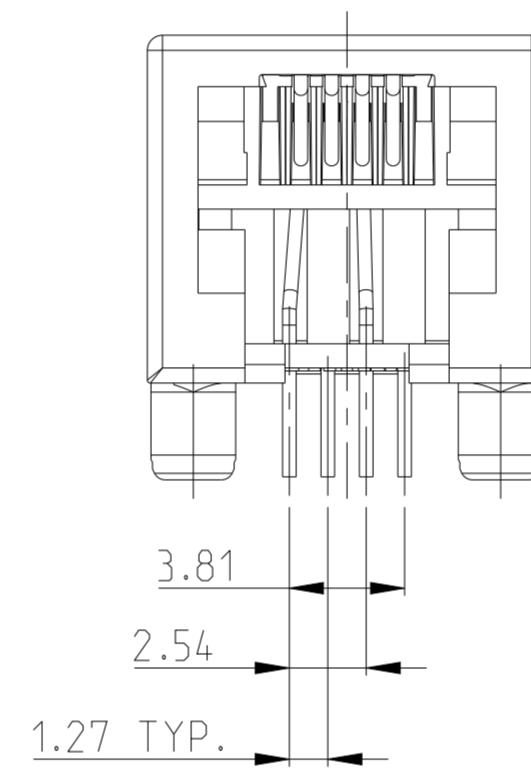
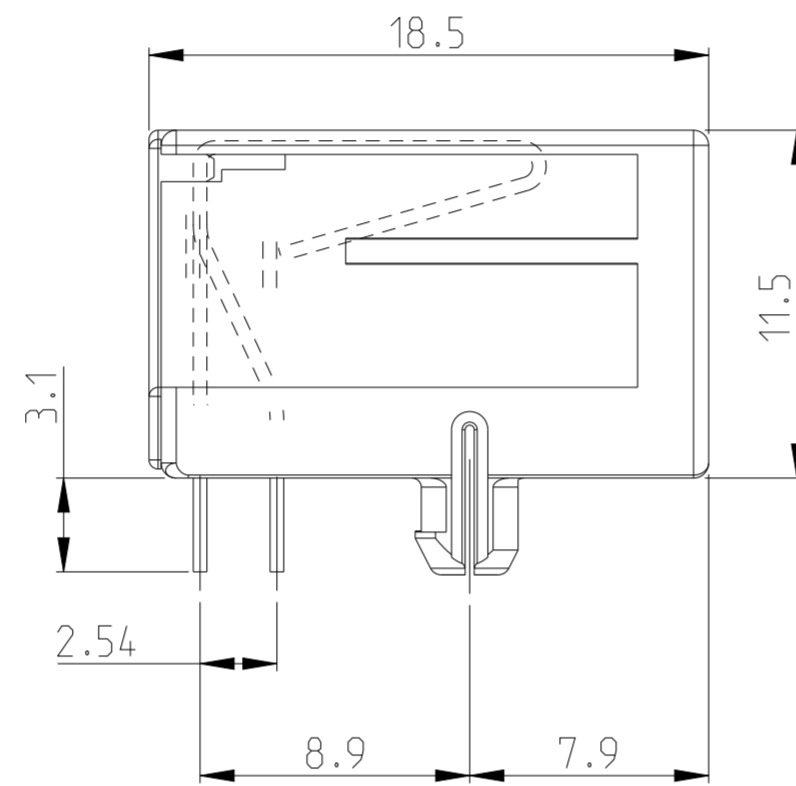
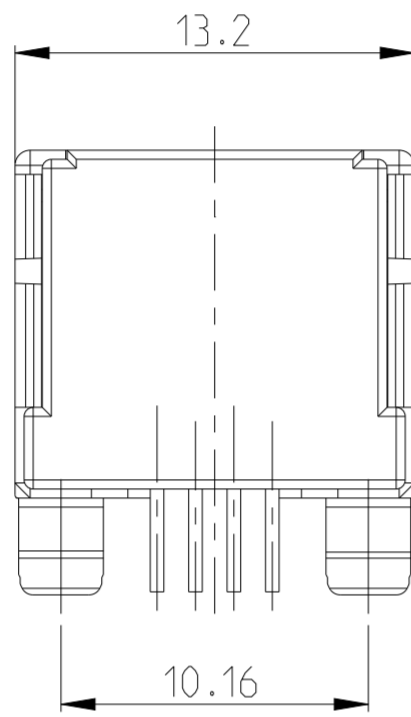
PACKAGING	REMARKS	FINISH	MATERIAL	P/N
BULK PACKED 1000 PCS IN A BOX 		IN CONTACT AREA: 1,2 μm MIN. SEL. GOLD OVER 1,2 μm MIN. NICKEL	HOUSING COLOR BLACK PBT, UL94 V-0	5-215876-4
240 PIECES IN A TRAY	6 POS./ 6 CONTACTS	SOLDER TINES: 2,5 μm MIN. TIN OVER 1,2 μm MIN. NICKEL	CONTACT INSERT: PBT, UL94 V-0	5-215876-3
TAPE MOUNTED 800 PCS/REEL			CONTACT COVER: PBT, UL94 V-0	5-215876-1
			CONTACTS: PH-BRONZE	

THIS DRAWING IS A CONTROLLED DOCUMENT.		DWN P.Willems 10-OCT-05	TE Connectivity	
		CHK P.Willems 10-OCT-05		
		APVD J.Broekssteeg 10-OCT-05	NAME MODULAR JACK, SIDE ENTRY, 6/6 FOR PRINTED CIRCUIT BOARD WITH CONTACT COVER	
DIMENSIONS: mm		PRODUCT SPEC 108-19064	SIZE A2	CAGE CODE
TOLERANCES UNLESS OTHERWISE SPECIFIED:		APPLICATION SPEC 114-19019	DRAWING NO C-215876	RESTRICTED TO
0 PLC \pm		WEIGHT -	SCALE 4:1	SHEET 3 OF 4
1 PLC \pm		CUSTOMER DRAWING	REX AA4	
2 PLC \pm				
3 PLC \pm				
4 PLC \pm				
ANGLES \pm				
FINISH -				

THIS DRAWING IS UNPUBLISHED. RELEASED FOR PUBLICATION 2000
 © COPYRIGHT 2000 ALL RIGHTS RESERVED.

LOC	DIST	REVISIONS			
P	LTR	DESCRIPTION	DATE	DWN	APVD
IR	-	SEE SHEET 1	-	-	-

- 1 SEE SHEET 3 FOR MODULAR JACK 6 POS./6 CONTACTS WITH CONTACT COVER.
- 2 FOR APPLICATION INFORMATION SEE SPEC. 114-19019.
- 3 FOR PERFORMANCE REQUIREMENT SEE SPEC. 108-19064.
- 4 TOLERANCES UNLESS OTHERWISE SPECIFIED: ±0,15.



PRINTED CIRCUIT BOARD LAYOUT (6 POS./4 CONTACT)

[VIEW SHOWN IS CIRCUIT (NON-COMPONENT) SIDE OF BOARD]
 PRINTED CIRCUIT BOARD THICKNESS: 1,6mm NOMINAL.
 TOLERANCES UNLESS OTHERWISE SPECIFIED: ± 0,05.

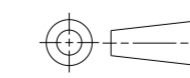
OBSOLETE

TAPE MOUNTED 800 PCS/REEL	6 POS./ 4 CONTACTS	IN CONTACT AREA: 1,2 µm MIN. SEL. GOLD OVER 1,2 µm MIN. NICKEL	HOUSING COLOR BLACK PBT, UL94 V-0	5-215876-2
		SOLDER TINES: 2,5 µm MIN. TIN OVER 1,2 µm MIN. NICKEL	CONTACT INSERT: PBT, UL94 V-0	
PACKAGING	REMARKS	FINISH	CONTACT COVER: PBT, UL94 V-0	
			CONTACTS: PH-BRONZE	
			MATERIAL	P/N

THIS DRAWING IS A CONTROLLED DOCUMENT.

DIMENSIONS:
mm

TOLERANCES UNLESS OTHERWISE SPECIFIED:



MATERIAL

0 PLC	±
1 PLC	±
2 PLC	±
3 PLC	±
4 PLC	±
ANGLES	±
FINISH	-

DWN	P. Willem	10-OCT-05
CHK	P. Willem	10-OCT-05
APVD	J. Broekssteeg	10-OCT-05
PRODUCT SPEC	108-19064	
APPLICATION SPEC	114-19019	
WEIGHT	-	
CUSTOMER DRAWING		

TE Connectivity			
NAME: MODULAR JACK, SIDE ENTRY, 6/4 FOR PRINTED CIRCUIT BOARD WITH CONTACT COVER			
SIZE	CAGE CODE	DRAWING NO	RESTRICTED TO
A2		C-215876	-
SCALE 4:1		SHEET 4 OF 4	REV AA4