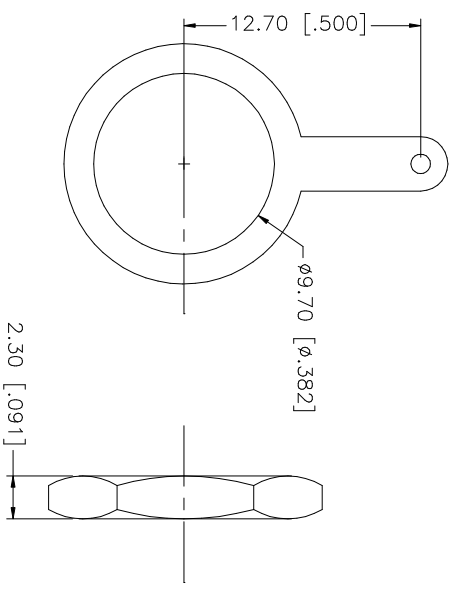
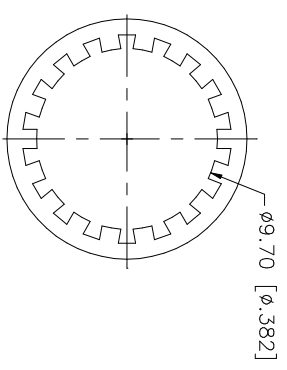
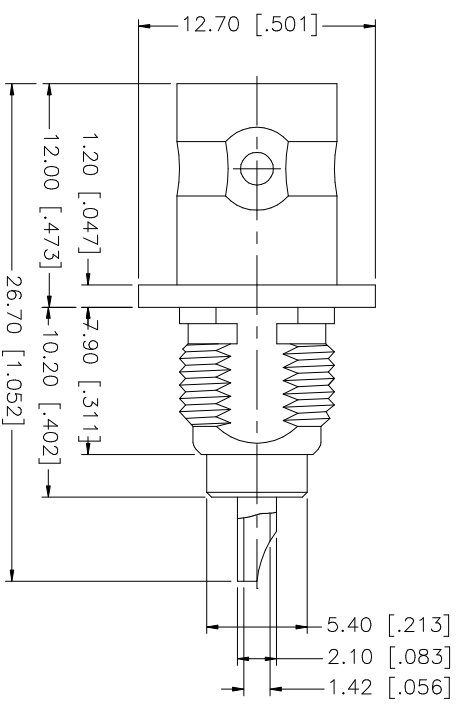
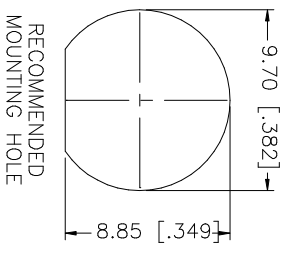


REV.	DATE	DESCRIPTION
NC	09/20/99	INITIAL RELEASE
A	07/20/05	UPDATE DRAWING FORMAT



QTY	FINISH	MATERIAL	DESCRIPTION
1	NICKEL	BRASS	INSULATOR BODY
1	NATURAL	TEFLON	INSULATOR BODY
1	NICKEL	BRASS	CONTACT PIN
1	GOLD	BRASS	CONTACT PIN
1	NICKEL	BRASS	LOCK WASHER
1	NICKEL	BRASS	HEX NUT
1	NICKEL	BRASS	SOLDER TAG

APPROVALS	DATE
DRAWN G.R.S.	07/20/05
CHECKED	
ISSUED	
SHEET 1 OF 1	

Amphenol Connex	
PART DESCRIPTION BNC BULKHEAD RECEPTACLE REVERSE POLARITY	
PART NO.	112424RP
DWG. NO.	112424RP
REV.	A
SIZE	A
SCALE	NA

UNLESS OTHERWISE SPECIFIED, DIMENSIONS ARE IN MILLIMETERS UNLESS INDICATED OTHERWISE IN LARGE DIMENSIONS AND FOR CUSTOMER REFERENCE ONLY.

UNLESS OTHERWISE SPECIFIED, DIMENSIONS FOR MILLIMETERS ARE:

0.3 - 8mm ± 0.20mm
8 - 30mm ± 0.40mm
30 - 120mm ± 0.50mm

UNLESS OTHERWISE SPECIFIED, DIMENSIONS FOR INCHES ARE:

.020 - .315 = ± 0.007"
.315 - 1.180 = ± 0.015"
1.180 - 4.724 = ± 0.020"

DO NOT SCALE DRAWING

CAD FILE C:/112/112424RP.DWG