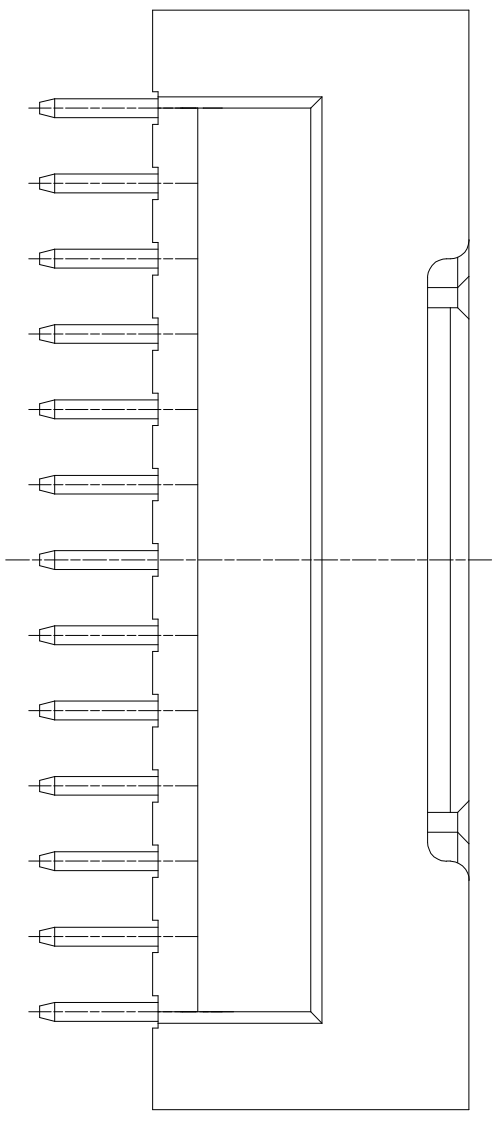
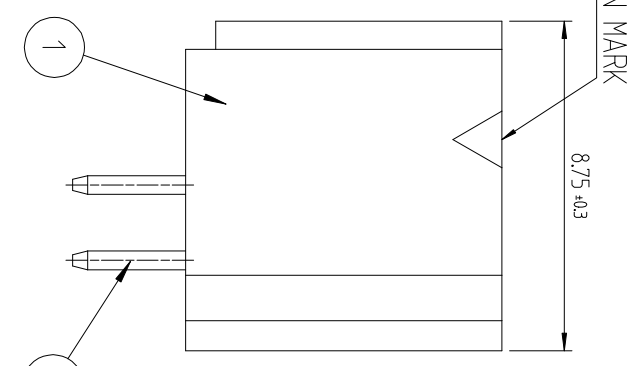
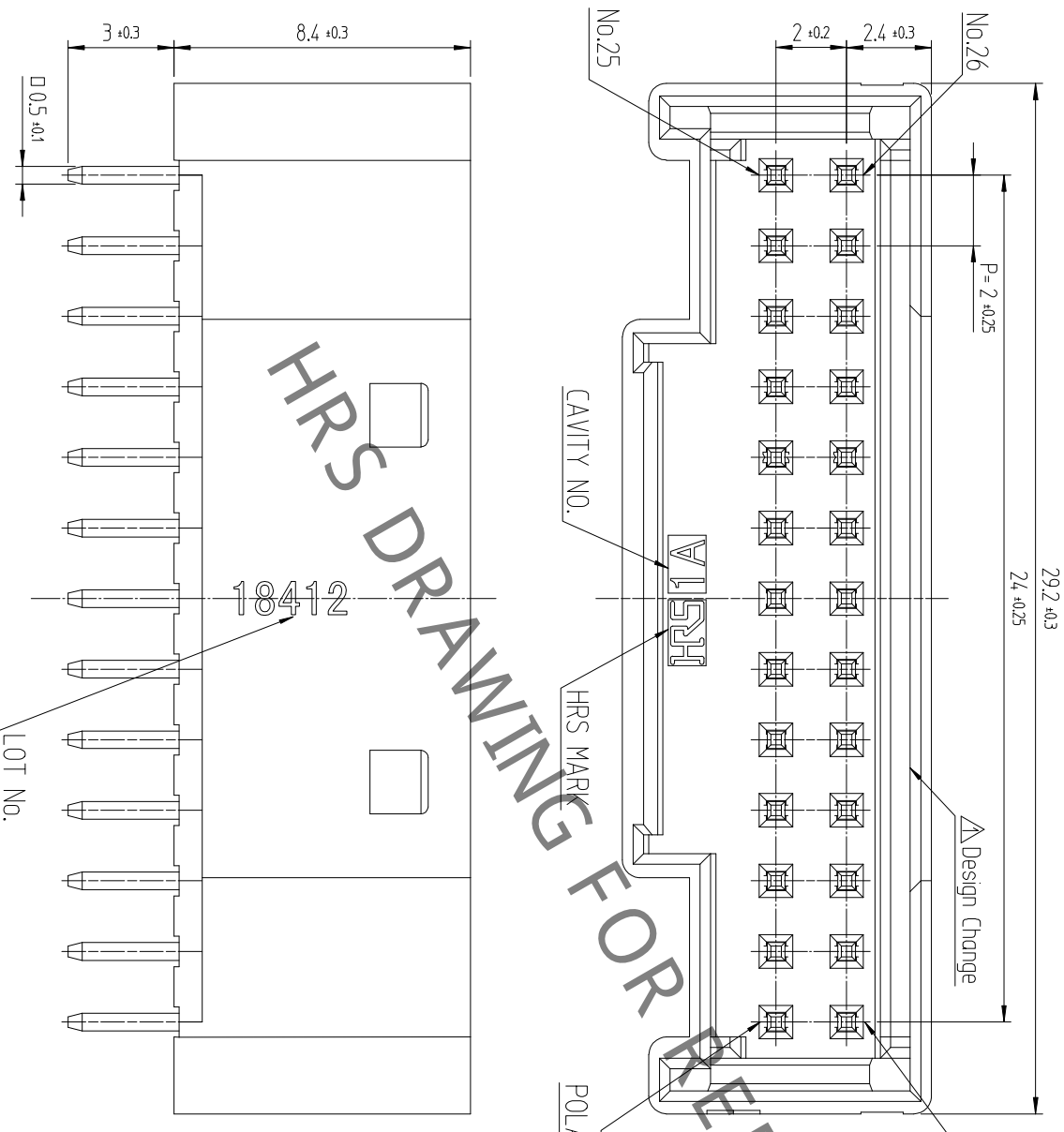
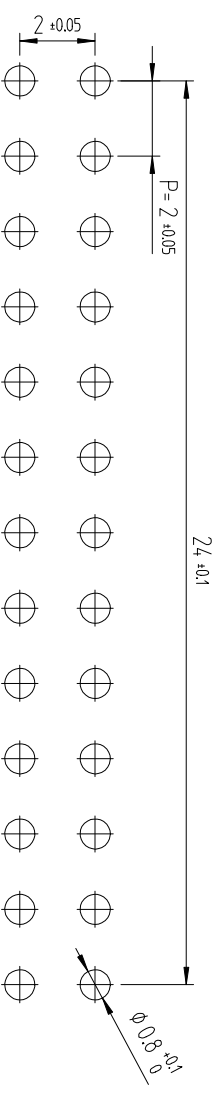
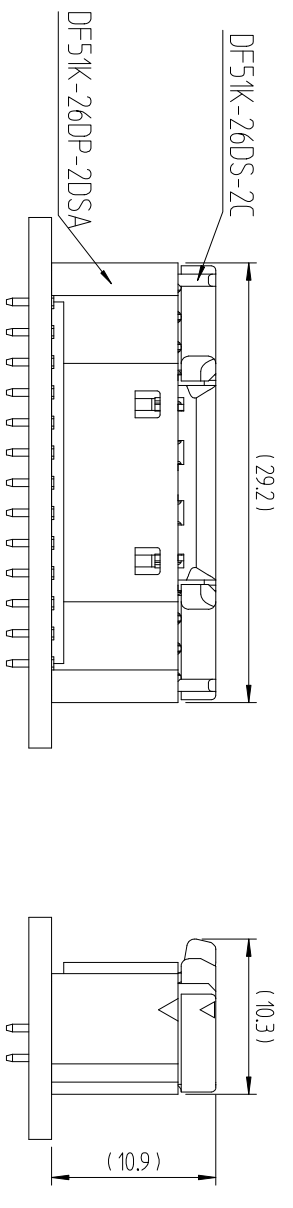
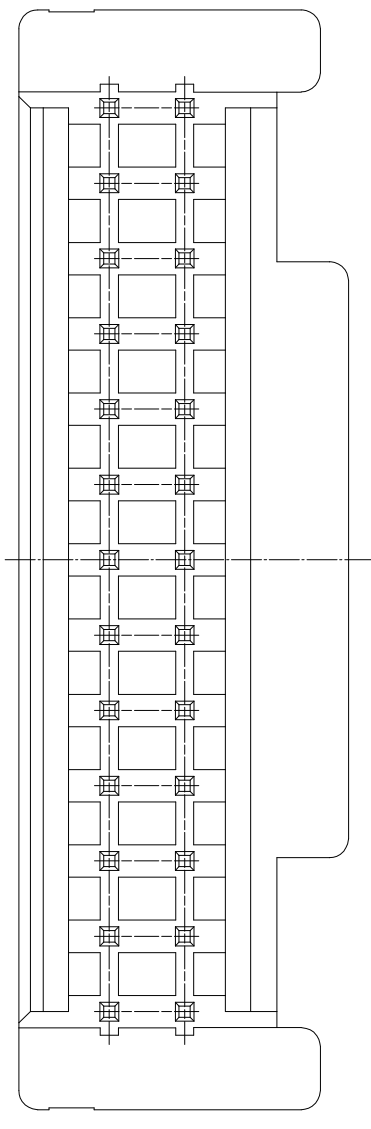


△数	訂正事項	檢圖	年月日	△数	訂正事項	檢圖	年月日
COUNT	DESCRIPTION OF REVISIONS	CHKD	DATE	COUNT	DESCRIPTION OF REVISIONS	CHKD	DATE
1	RE-6-1150	K.I.Y	18. 07. 04				
2	RE-6-1579	K.I.Y	20. 01. 23				

RECOMMENDED LAND PATTERN (FREE)
 (PCB THICKNESS t=1.6mm)



ENGAGEMENT FIGURE (2:1)



NOTE 1. 1PACK CONTAINS 100PCS.

2. () DIMENSIONS ARE ONLY REFERENCE.

3. UL(File No. E132750) AUTHORIZATION ARTICLE.

C-UL(File No. E132750) AUTHORIZATION ARTICLE.



1	△ PA66	UL94V-0, BLACK	2	BRASS	GOLD PLATING 0.1μm MIN, OVER NICKEL 0.5μm MIN
NO.	MATERIAL	FINISH/REMARKS	NO.	MATERIAL	FINISH/REMARKS
CODE NO. (OLD)		DRAWN	CODE NO.		RELEASED
		CHOI (17.12.22) J.S			KANG (17.12.22) T.S
		DESIGNED			APPROVED
		CHOI (17.12.22) J.S			KANG (17.12.22) T.S
		CHECKED			RELEASED
		LIM (17.12.22) S.M			ENG (20.02.12) DEPT
DRAWING NO.		PART NO.		FINISH/REMARKS	
EDC3-632468		DF51K-26DP-2DSA(805)			
SCALE		CODE NO.			
5:1		CL 6652-0017-1-805			
UNITS					
MM					

