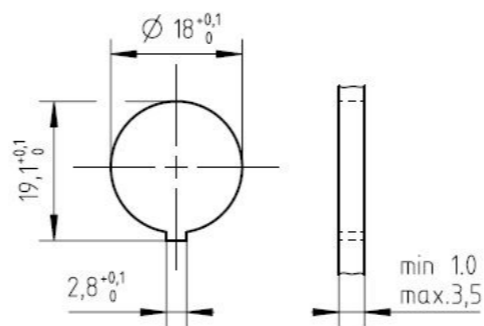


Panel cutout M1:1



* for 12 and 14 pol dimension is 10,45

Number of contacts	Standard	3	4	5	5	6	7	7	8	12	14
Contact arrangement	IEC 61076-2-106	03-a	04-a	05-a	05-b	06-a	07-a	07-b	08-a	12-a	14-a
Contact arrangement	IEC 60130-9 ¹⁾	yes	no	yes	no	yes	no	yes	no		
Rated voltage ²⁾	IEC 60664-1	300 V (100 V)	300 V (63 V)	100 V (32 V)	300 V (63 V)	100 V (32 V)	100 V (32 V)	150 V (32 V)			
Rated voltage	UL 1977	250V						60V			
Rated impulse withstand voltage ²⁾	IEC 60664-1	1500 V (1500 V)		1200 V (800 V)	1500 V (1500 V)		1200 V (800 V)				
Pollution degree ²⁾	IEC 60664-1	1 (2)									
Installation category	IEC 60664-1	I									
Insulation group	IEC 60664-1	II, 400 ≤ CTI < 600									
Current rating	IEC 60512-5-2 UL 1977	10A/+40°C		7A/+40°C					3A/+40°C		
Insulation resistance	IEC 60512-3-1	>10 ¹⁰ Ohm ³⁾									
Contact resistance	IEC 60512-2-1	<5mOhm									
Climatic category	IEC 60668-1	40 / 100 / 56									
Temperatur range	IEC 60668-1	-40°C...+100°C / -40°F...+212°F									
IP degree	IEC 60529	IP 40									
Insertion and withdrawal force	IEC 60512-13-2	25N	30N	35N	35N	50N	55N	55N	60N	50N	50N
mechanical operation	IEC 60512-9-1	Silver ≥500 mating cycles / Gold ≥1000 mating cycles									
housing material		brass and / or zinc die cast, nickel plated or thermoplast									
dielectric material		thermoplastic									
contacts		silver or gold plated, please order contacts separately acc to drawing M-N 01 015 00XX X (3-8pol) or M-N 01 010 0158 X (12-14pol)									
termination technique		crimp									
wire gauge		0,09-1,0mm ²		0,09-0,75 mm ²	0,09-1,0 mm ²	0,09-0,75mm ²			0,09-0,25mm ²		
flamability		UL 94 VO									
locking system		metal screw coupling; tightening torque 0,7 - 1,5 Nm									

¹⁾ Edition 2000-05
²⁾ values in brackets are according to DIN EN 61076-2-106
³⁾ under operating conditions >10⁸ Ohm

Do not connect or disconnect under load. Metal housing parts shall be securely incorporated to protected ground. All technical data have been measured in a laboratory environment and can be different during practical usage of the product. Any product information is for descriptive usage only and not legally binding; particularly the information does not constitute or provide any legal guaranties ("Beschaffensgarantie" or "Haltbarkeitsgarantie").

	14 (14-a)	T 3652 550 U
	12 (12-a)	T 3637 550 U
	8 (08-a)	T 3506 550 U
	7 (07-b)	T 3486 550 U
	7 (07-a)	T 3477 550 U
	6 (6-a)	T 3402 550 U
	5 (05-b)	T 3358 550 U
	5 (05-a)	T 3362 550 U
	4 (04-a)	T 3302 550 U
	3 (03-a)	T 3262 550 U
	2 (Pin 1+3)	T 3202 550 U
Contact arrangement View on mating side	Number of contacts (Contact arrangement acc. DIN EN 61076-2-106)	Part number

Gewicht (errechnet) / Calc WT: 0,011 kg	Zul. Abw./Tolerances:	Maßstab / Scale: 2:1	A3
Prüfmaß / Testdimension	ISO 2768-c	CUSTOMER DRAWING	
Teileindex / Partindexnumber:	DIN / ISO 13715	Male receptacle crimp, front mounting	
Bagatelle change:	Gez. Drawn: 15.06.2021 Status: Released Gepr. Checked: 16.06.2021 MBERTSCH	M WA T 3XXX 550 U	
01 202100006 15.06.2021 MCARL	Amphenol Tuchel Industrial GmbH	Blatt / Sheet 1	
Index Änderung / Description Datum / Date Name	Ers. f. / Replacement for:	1 Bl.	

Copying of this document and giving it to others and the use or communication of the contents thereof, are forbidden without express authority. Offenders are liable to the payment of damages. All rights are reserved in the event of the grant of a patent or the registration of the utility model or design.

Weitergabe sowie Vervielfältigung dieser Unterlage, Verwertung und Mitteilung ihres Inhalts nicht gestattet, soweit nicht ausdrücklich zugestanden. Zuwiderhandlungen verpflichten zu Schadensersatz. Alle Rechte für den Fall der Patenterteilung oder Gebrauchsmuster-Eintragung vorbehalten.

FAI2021-002725
 NXM-V04