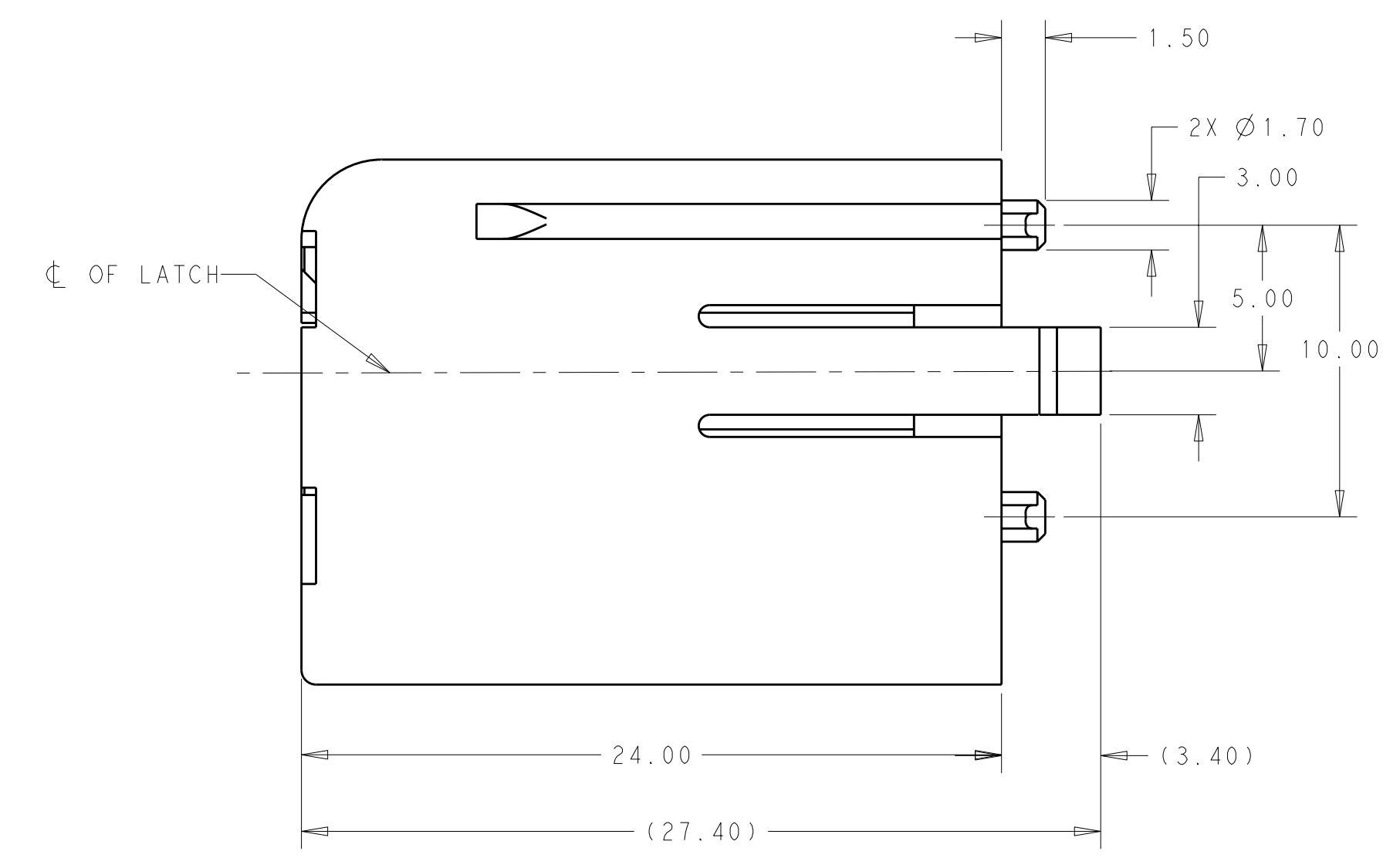
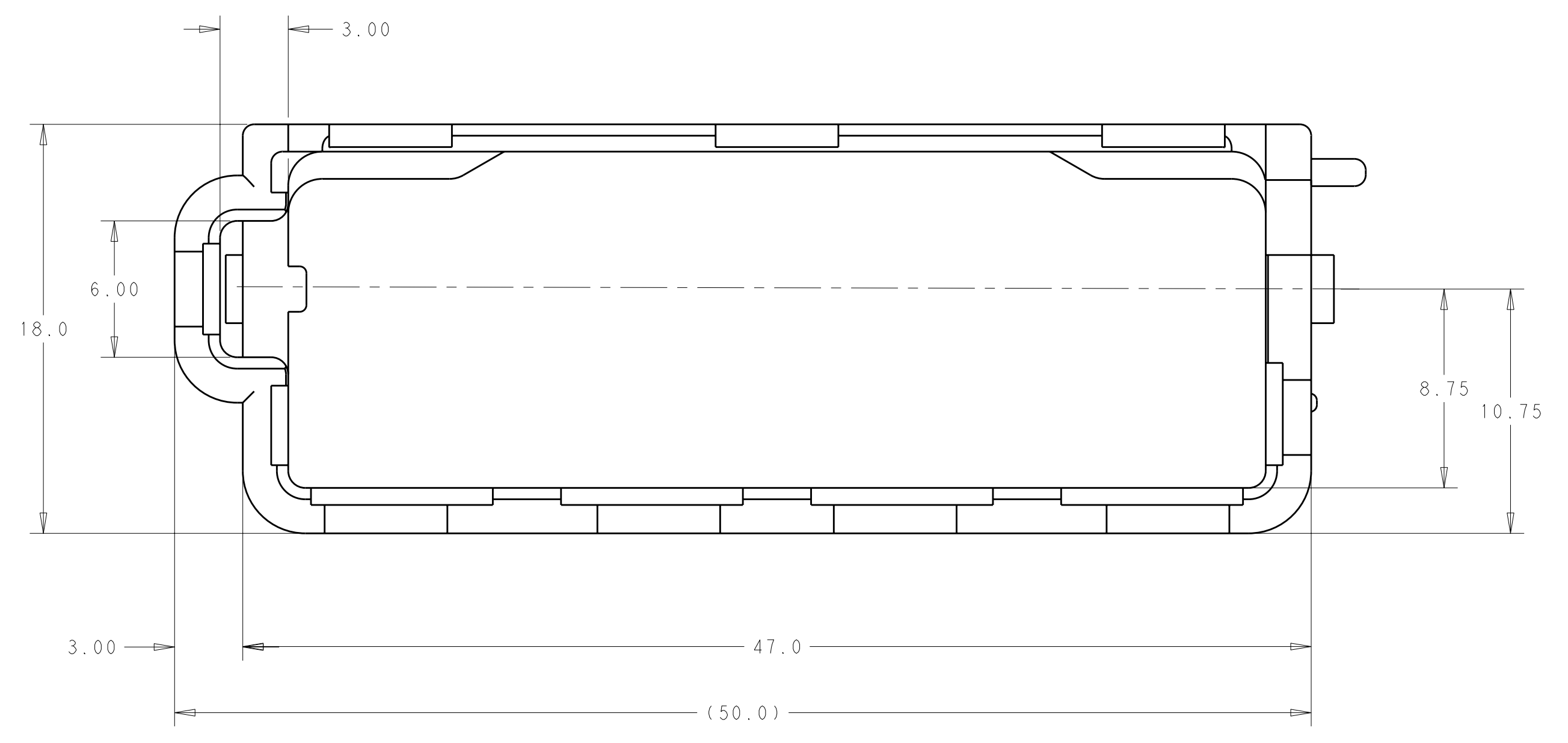
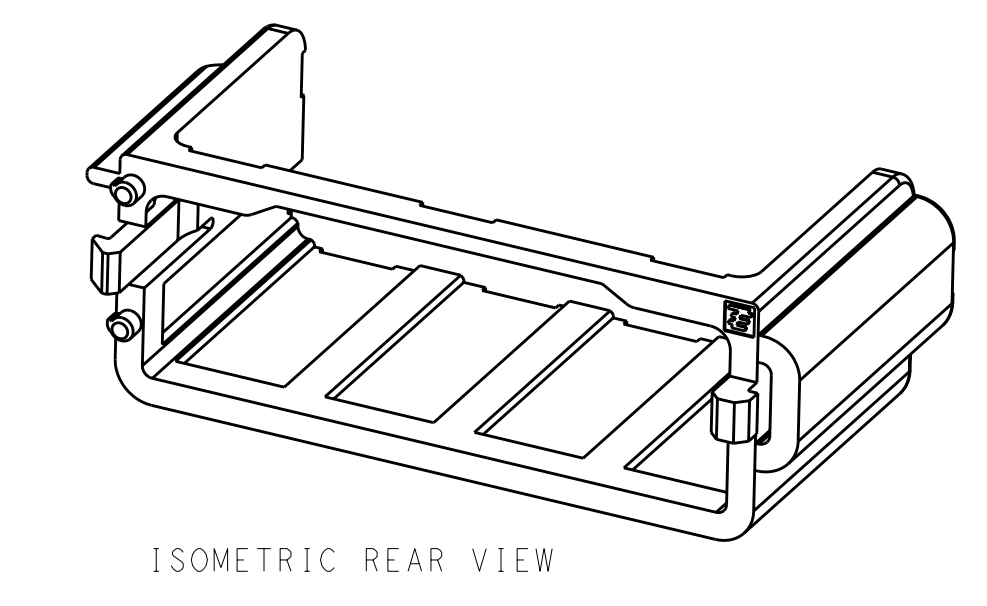
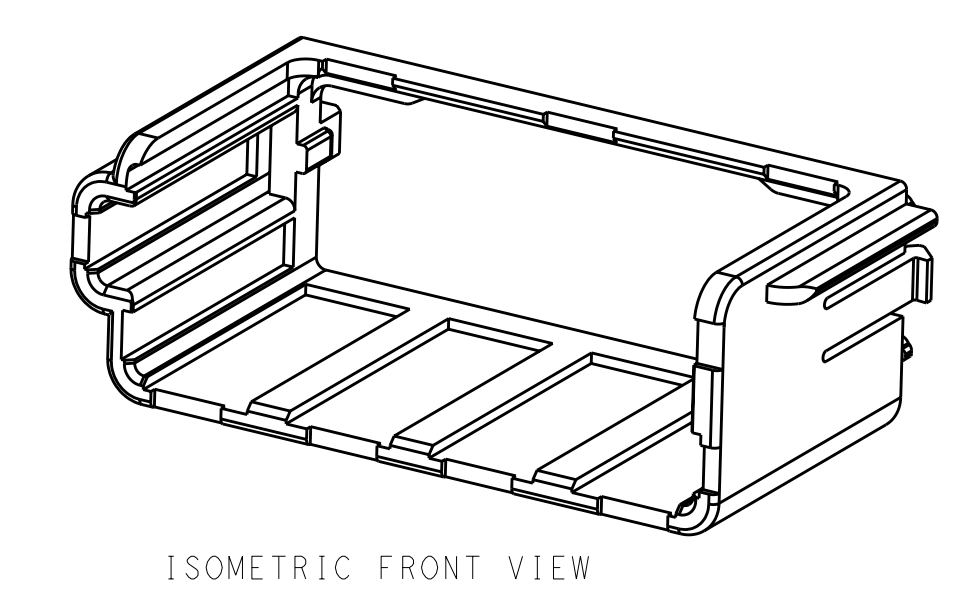
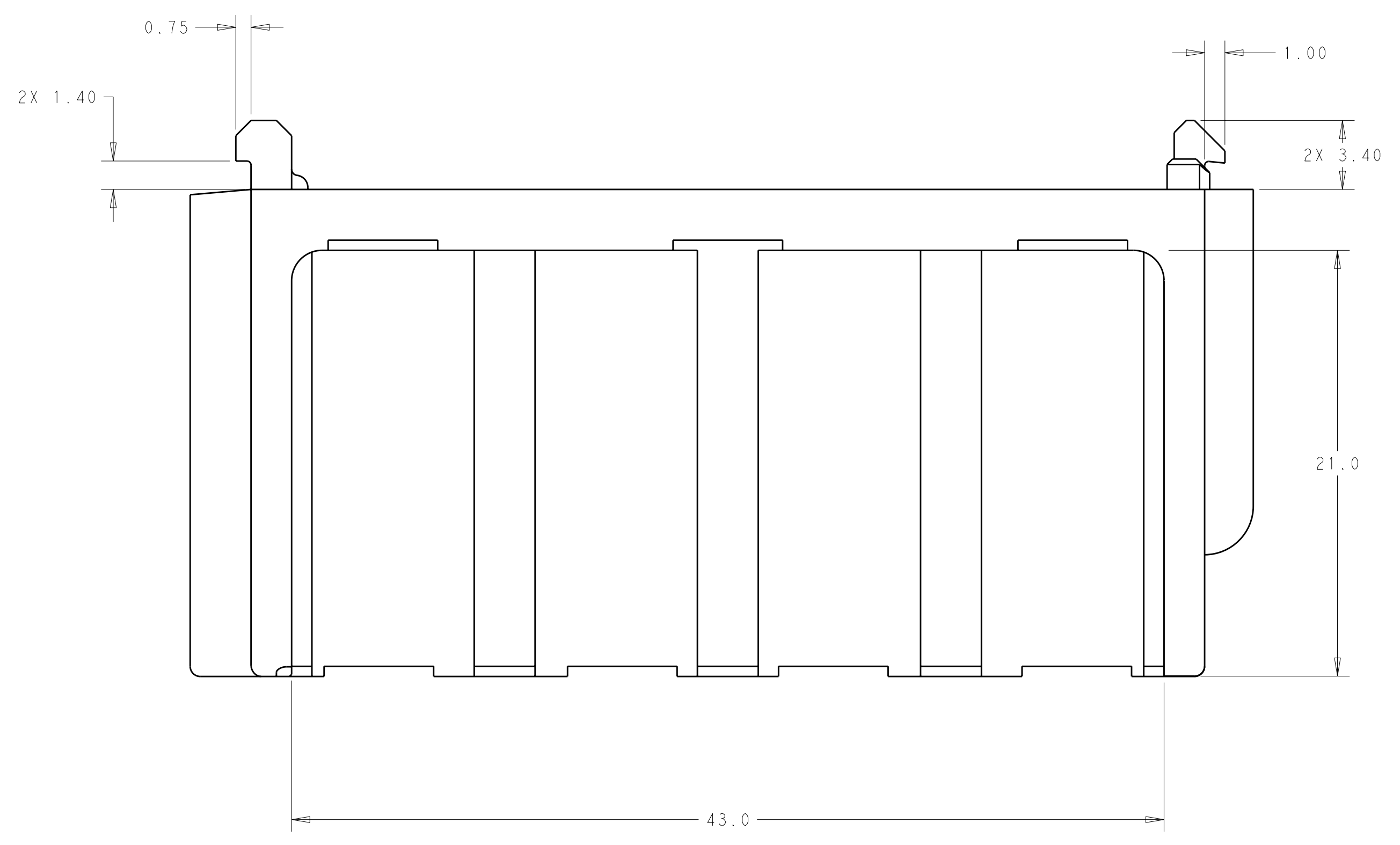


LOC	DIST	REVISIONS			
REV	DATE	DESCRIPTION	DATE	DWN	APVD
GP	00				
C1		REV PER ECO-10-014942	21JUL2010	RG	SM
D		REV PER ECO-10-015726	05AUG2010	RG	SM

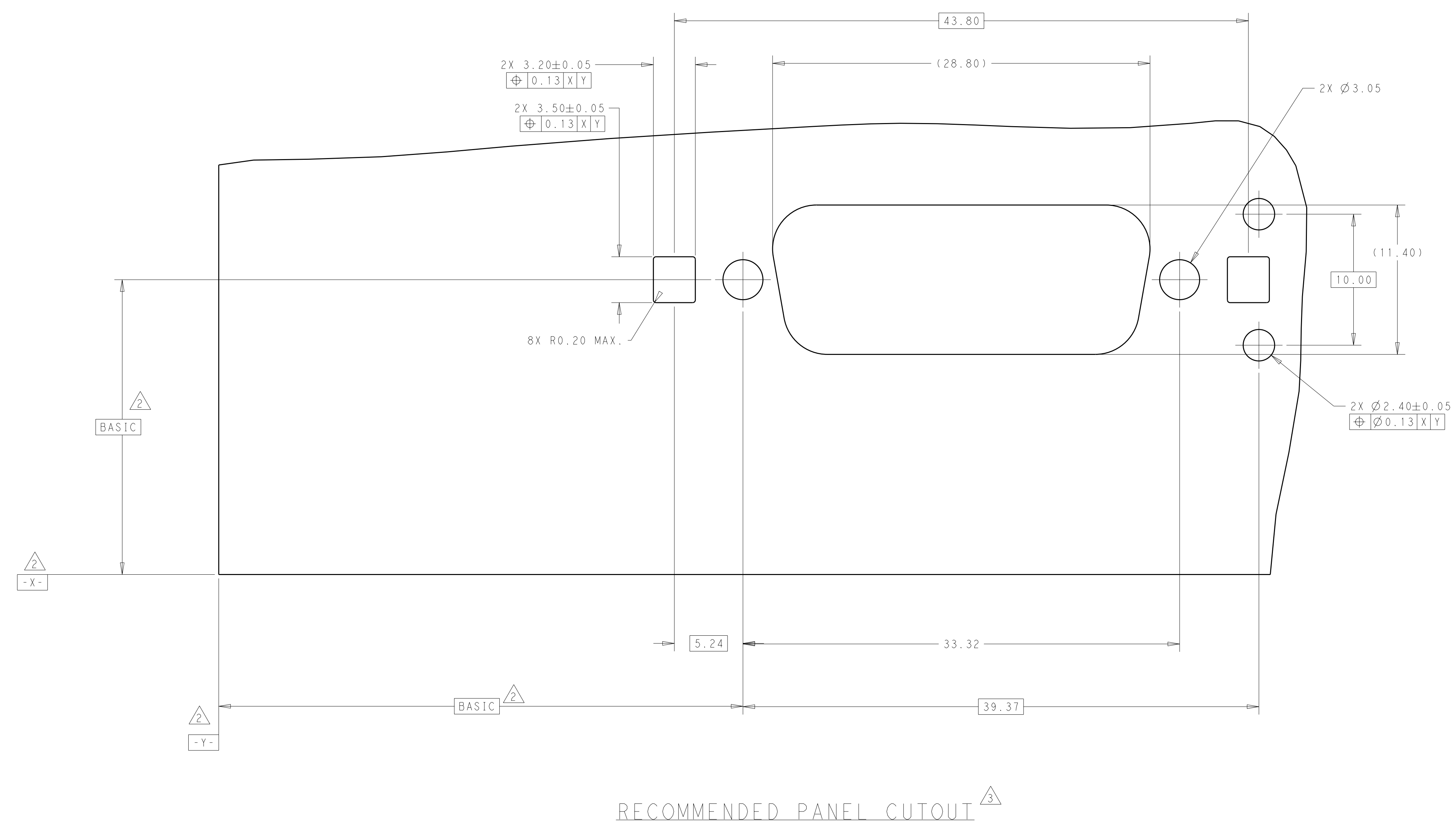


- MATERIAL: THERMOPLASTIC UL 94V-0 RATED, COLOR: BLACK
- DATUMS AND BASIC DIMENSIONS TO BE ESTABLISHED BY CUSTOMER.
- REFERENCE TO APPLICATION SPECIFICATION 114-40030 FOR AMPLIMITE SHELL SIZE 2 PANEL CUTOUT. SHROUD TO BE USED WITH A NOMINAL 1.20mm THICK PANEL.

2085418-1
PART NUMBER

DIMENSIONS: mm TOLERANCES UNLESS OTHERWISE SPECIFIED: 0 PLC ±.4 1 PLC ±0.4 2 PLC ±0.35 3 PLC ±.4 4 PLC ±.4 ANGLES ±.2 FINISH -		DWN G. PETERS 23DEC2009 CHK L. COSSETTI 03MAR2010 APVD F. HOWARD 03MAR2010	Tyco Electronics Harrisburg, PA 17105-3608
MATERIAL - FINISH -		NAME PRODUCT SPEC APPLICATION SPEC WEIGHT - CUSTOMER DRAWING	KEYED CABLE SHROUD PANEL MOUNT SIZE CAGE CODE DRAWING NO A100779C=2085418 SCALE 1:1 SHEET 1 OF 2 REV D

LOC	DIST	REVISIONS			
P	LTB	DESCRIPTION	DATE	DWN	APVD
GP	00	SEE SHEET 1	-	-	-



RECOMMENDED PANEL CUTOUT \triangle

<small>THE DIMENSIONS OF THIS DRAWING ARE TO BE CONSIDERED AS APPROXIMATE UNLESS OTHERWISE SPECIFIED. THIS IS SUBJECT TO CHANGE WITHOUT NOTICE AND WITHOUT LIABILITY TO TYCO ELECTRONICS CORPORATION UNLESS WE CONTACT YOU FOR THE LATEST REVISION.</small>		DWN: S. PETERS 23DEC2009 CHK: L. COSSETT 03MAR2010 APVD: F. HOWARD 03MAR2010	Tyco Electronics Harrisburg, PA 17105-3608
DIMENSIONS: mm 	TOLERANCES UNLESS OTHERWISE SPECIFIED: 9 PLC ± 1 PLC ±0.4 2 PLC ±0.35 3 PLC ± 4 PLC ± ANGLES ±#2 FINISH -	NAME: KEYPED CABLE SHROUD PANEL MOUNT PRODUCT SPEC - APPLICATION SPEC - WEIGHT - CUSTOMER DRAWING	SIZE: A100779 CAGE CODE: C=2085418 SCALE: 1:1 SHEET: 2 OF 2 REV: D