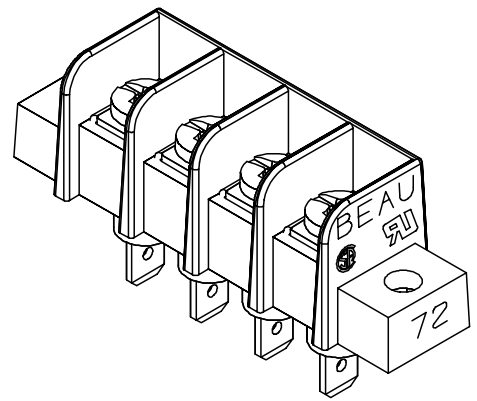
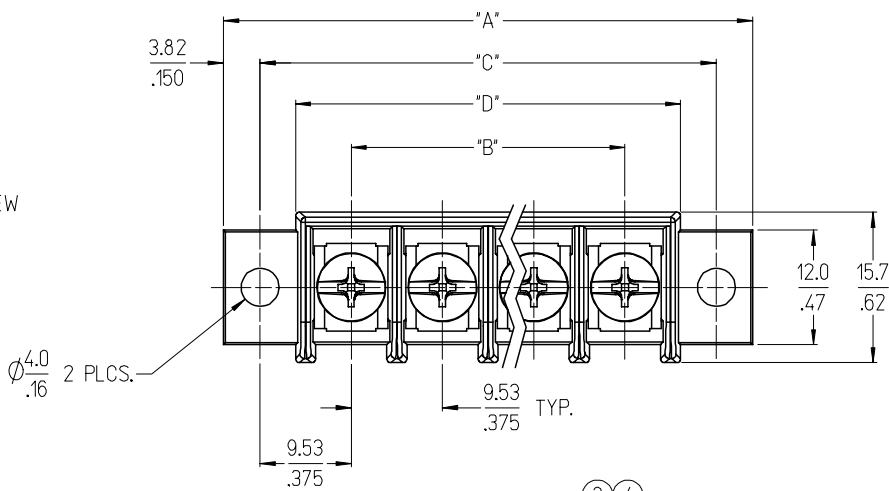
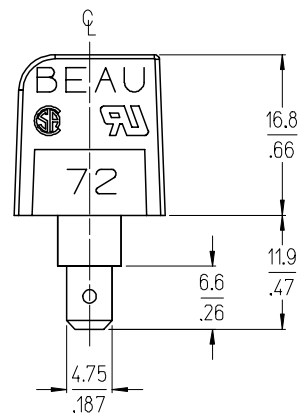
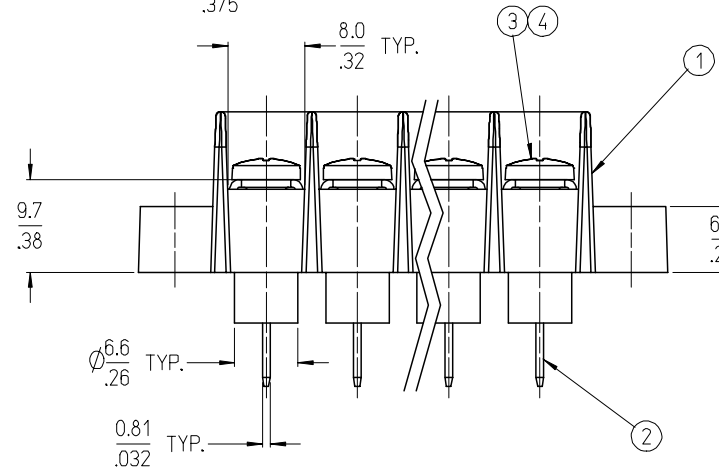


REF -50 OPTION SCREW
(WHERE APPLICABLE)



4 CIRCUIT SHOWN



- NOTES:
1. MATERIAL: SEE TABLE
 2. "XX" REFERS TO THE QUANTITY OF CIRCUITS.
 3. ALL COMPONENTS ARE ROHS COMPLIANT.

| ITEM | QTY | DESCRIPTION | MATERIAL | FINISH |
|------|-----|--|---------------|---------------------|
| 5 | XX | SCREW&WASHER, #6-32X.25 PAN, PH/SL (-50 OPT) | STEEL | ZINC CLEAR CHROMATE |
| 4 | XX | SCREW, #6-32X.25 BHD, PH/SL (-49 OPT) | BRASS | NICKEL |
| 3 | XX | SCREW, #6-32X.25 BHD, PH/SL (STANDARD) | STEEL | ZINC CLEAR CHROMATE |
| 2 | XX | TERMINAL, QUICK CONNECT (STYLE 9) | BRASS | TIN |
| 1 | 1 | INSULATOR, SR, CS, INSL BASE, MTG. | THERMOPLASTIC | BLACK |

CORRECTION ON -50 OPT.
EC NO: ETC2007-0333
DRWNAH/DALGO 2007/04/24
CHKD: JENCINAS 2007/04/27
APPR: JMACNEIL 2007/04/30

QUALITY SYMBOLS
 = 0
 = 0

| GENERAL TOLERANCES (UNLESS SPECIFIED) | |
|---------------------------------------|--------|
| mm | INCH |
| 4 PLACES | ± .005 |
| 3 PLACES | ± .01 |
| 2 PLACES | ± .013 |
| 1 PLACE | ± .03 |
| ANGULAR ± 2 ° | |

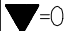
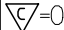

| DIMENSION STYLE | |
|-----------------|------------|
| MM/IN | DATE |
| DRAWN BY | DATE |
| EHILE | 2006/08/23 |
| CHECKED BY | DATE |
| JMACNEIL | 2006/08/23 |
| APPROVED BY | DATE |
| JMACNEIL | 2006/08/23 |

| SCALE | DESIGN UNITS | THIRD ANGLE PROJECTION |
|--|--------------|------------------------|
| 2:1 | INCH | |
| TITLE | | |
| 9.53MM [.375] SR BTS CS ASSY, INSULATED QUICK CONNECT W/MTG. | | |
| MATERIAL NO. SEE CHART | | |
| DOCUMENT NO. SD-38725-002 | | SHEET NO. 1 OF 2 |

DRAFT WHERE APPLICABLE
MUST REMAIN WITHIN DIMENSIONS

THIS DRAWING CONTAINS INFORMATION THAT IS PROPRIETARY TO MOLEX INCORPORATED AND SHOULD NOT BE USED WITHOUT WRITTEN PERMISSION

| NO. OF CIRCUITS | DIM. "A" | | DIM. "B" | | DIM. "C" | | DIM. "D" | | ASSEMBLY MATERIAL NO. (STANDARD) | ASSEMBLY MATERIAL NO. (-49 OPTION) | ASSEMBLY MATERIAL NO. (-50 OPTION) |
|-----------------|----------|------|----------|-------|----------|-------|----------|------|----------------------------------|------------------------------------|------------------------------------|
| | mm | INCH | mm | INCH | mm | INCH | mm | INCH | | | |
| 02 | 36.2 | 1.43 | 9.53 | .375 | 28.58 | 1.125 | 21.1 | .83 | 387251002 | 387251202 | 387251402 |
| 03 | 45.7 | 1.80 | 19.05 | .750 | 38.10 | 1.500 | 30.7 | 1.21 | 387251003 | 387251203 | 387251403 |
| 04 | 55.2 | 2.18 | 28.58 | 1.125 | 47.63 | 1.875 | 40.2 | 1.58 | 387251004 | 387251204 | 387251404 |
| 05 | 64.8 | 2.55 | 38.10 | 1.500 | 57.15 | 2.250 | 49.7 | 1.96 | 387251005 | 387251205 | 387251405 |
| 06 | 74.3 | 2.93 | 47.63 | 1.875 | 66.68 | 2.625 | 59.2 | 2.33 | 387251006 | 387251206 | 387251406 |
| 07 | 83.8 | 3.30 | 57.15 | 2.250 | 76.20 | 3.000 | 68.8 | 2.71 | 387251007 | 387251207 | 387251407 |
| 08 | 93.3 | 3.68 | 66.68 | 2.625 | 85.73 | 3.375 | 78.3 | 3.08 | 387251008 | 387251208 | 387251408 |
| 09 | 102.9 | 4.05 | 76.20 | 3.000 | 95.25 | 3.750 | 87.8 | 3.46 | 387251009 | 387251209 | 387251409 |
| 10 | 112.4 | 4.43 | 85.73 | 3.375 | 104.78 | 4.125 | 97.3 | 3.83 | 387251010 | 387251210 | 387251410 |
| 11 | 121.9 | 4.80 | 95.25 | 3.750 | 114.30 | 4.500 | 106.9 | 4.21 | 387251011 | 387251211 | 387251411 |
| 12 | 131.4 | 5.18 | 104.78 | 4.125 | 123.83 | 4.875 | 116.4 | 4.58 | 387251012 | 387251212 | 387251412 |
| 13 | 141.0 | 5.55 | 114.30 | 4.500 | 133.35 | 5.250 | 125.9 | 4.96 | 387251013 | 387251213 | 387251413 |

| | | | | | | | | | |
|--|---|---------------------------------------|-----------------------|------------------------------|---------------------|---|----------------------|--|--|
| SEE SHEET #1 EC NO: ETC2007-0333 DRW: NAH/DALGO 2007/04/24 CHKD: JENCINAS 2007/04/27 APPR: JMACNEIL 2007/04/30 | QUALITY SYMBOLS  =0  =0 | GENERAL TOLERANCES (UNLESS SPECIFIED) | | DIMENSION STYLE MM/IN | | SCALE 2:1 | DESIGN UNITS INCH |  THIRD ANGLE PROJECTION | |
| | | 4 PLACES ± --- ± --- | 3 PLACES ± --- ± .005 | DRAWN BY EHILE | DATE 2006/08/23 | TITLE 9.53MM [.375] SR BTS CS ASSY, INSULATED QUICK CONNECT W/MTG. | | | |
| | | 2 PLACES ± 0.13 ± .01 | 1 PLACE ± 0.3 ± --- | CHECKED BY JMACNEIL | DATE 2006/08/23 | | | | |
| | | ANGULAR ± 2 ° | | APPROVED BY JMACNEIL | | DATE 2006/08/23 | MOLEX INCORPORATED | | |
| DRAFT WHERE APPLICABLE MUST REMAIN WITHIN DIMENSIONS | | MATERIAL NO. SEE CHART | | DOCUMENT NO. SD-38725-002 | SHEET NO. 2 OF 2 | | | | |